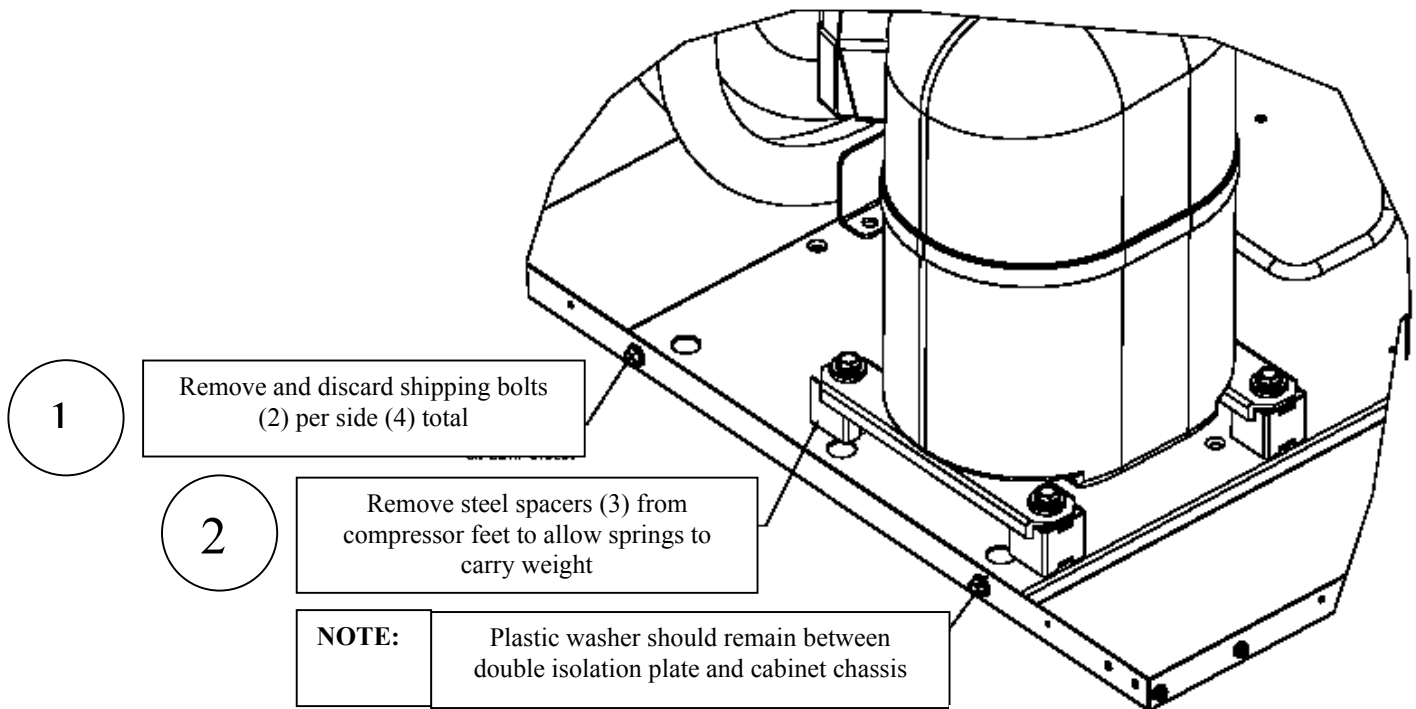


Date: August 25, 2003
Subject: New Shipping Bolts Added
Products: GSV, GSH, & GSS Series

Introduction:

The purpose of this Technical Service Bulletin is to inform contractors of recent product changes implemented which are not documented yet into all Installation Operation Maintenance manuals (IOM's). This product revision affects the listed product manufactured early in January 2003 forward. Questions regarding this change should be directed to your local Distributor/Field Technical Manager or the factory Technical Service in Oklahoma City at 1 800-299-9747.



Instruction: AFTER the unit has been installed be sure to completely remove and discard four bolts on the cabinet, outside of the compressor section. Two will be located as shown in the drawing above, on each side of the cabinet. The compressor mounting plate now incorporates a double isolation design, which contributes to even quieter unit operation than the previous design. Removal and discarding the three (3) steel shipping brackets, located between the compressor feet and the compressor double isolation plate is still required, as well as loosening the fourth compressor mounting bolt to allow the compressor to “float” on the springs and double isolation deck plate. *Failure to remove these bolts and shipping brackets may result in noisy compressor and unit operation.*