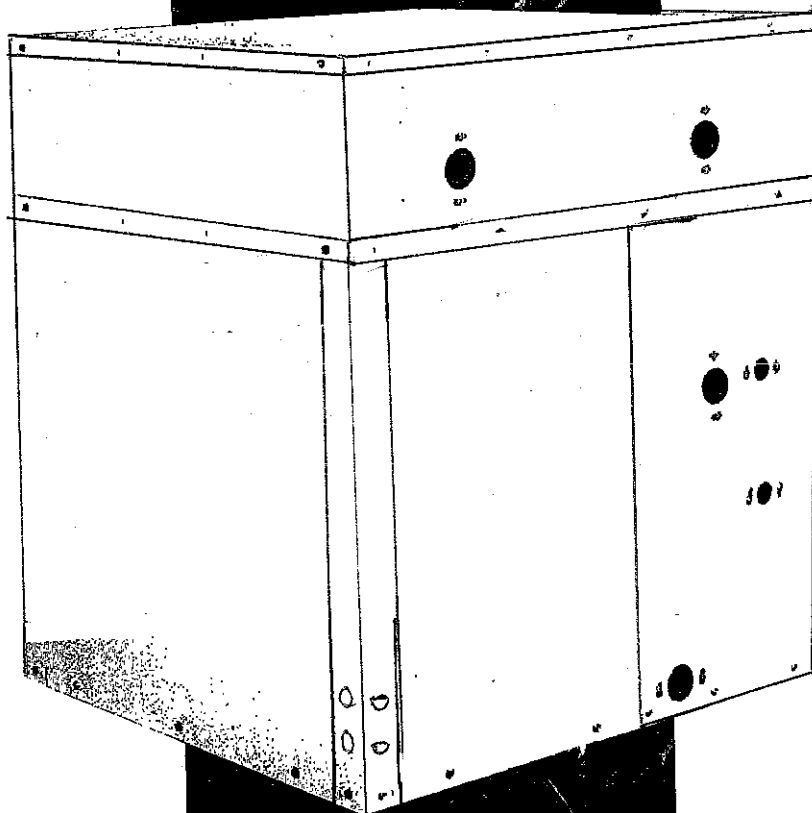


WATER TO WATER SERIES



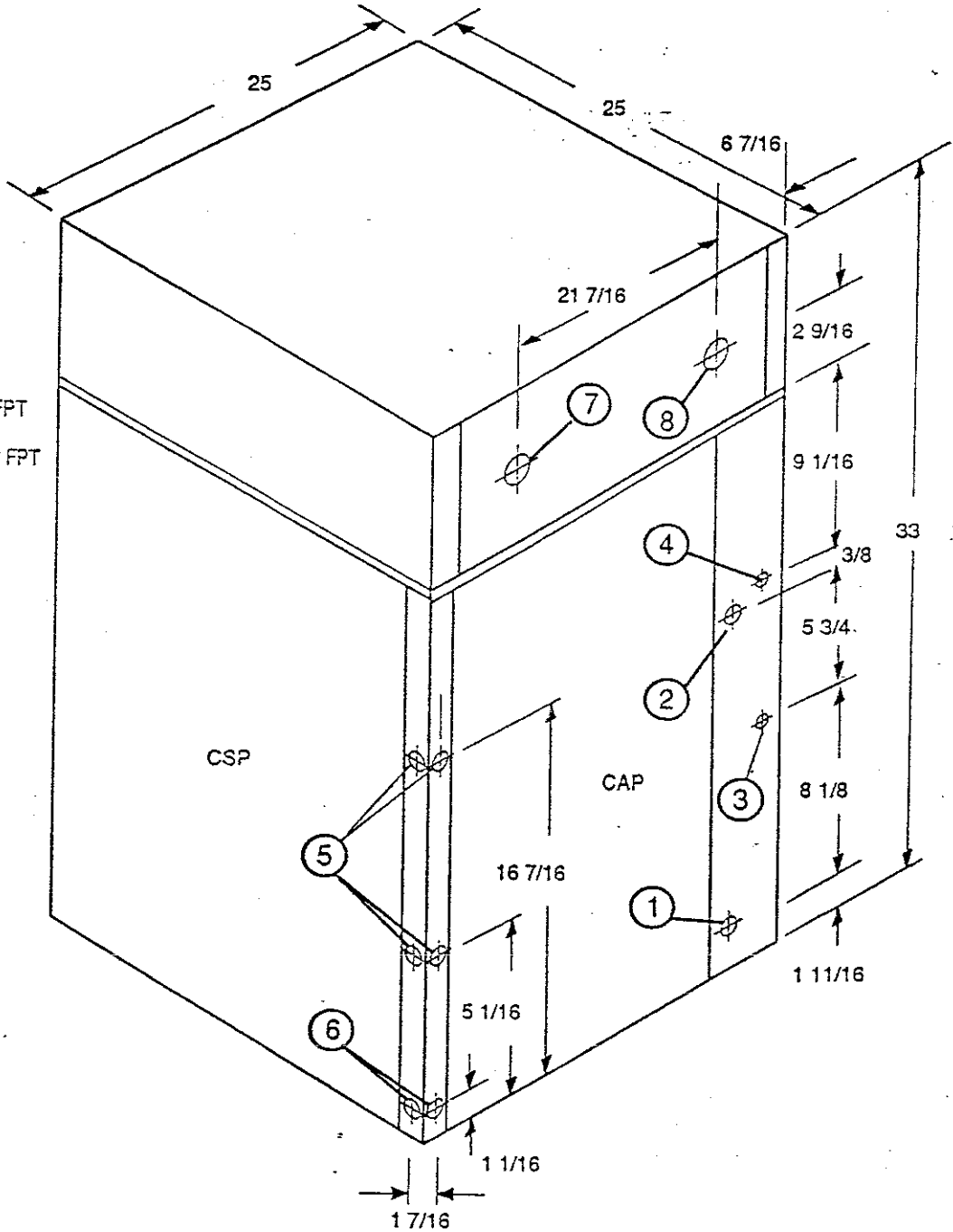
Dimensions Model WE 036

Contractor: _____	P.O.: _____
Engineer: _____	
Project Name: _____	Unit Tag: _____

WE 036 Water To Water Unit

NOTES:

- 1 - Source Water In - 1" FPT
- 2 - Source Water Out - 1" FPT
- 3 - Hot Water Generator In - 1/2" FPT
- 4 - Hot Water Generator Out - 1/2" FPT
- 5 - Low Voltage Access - 1/2" KO
- 6 - High Voltage Access - 7/8" KO
- 7 - Load Water In - 1" FPT
- 8 - Load Water Out - 1" FPT
- CSP - Compressor Service Panel
- CAP - Control Access Panel



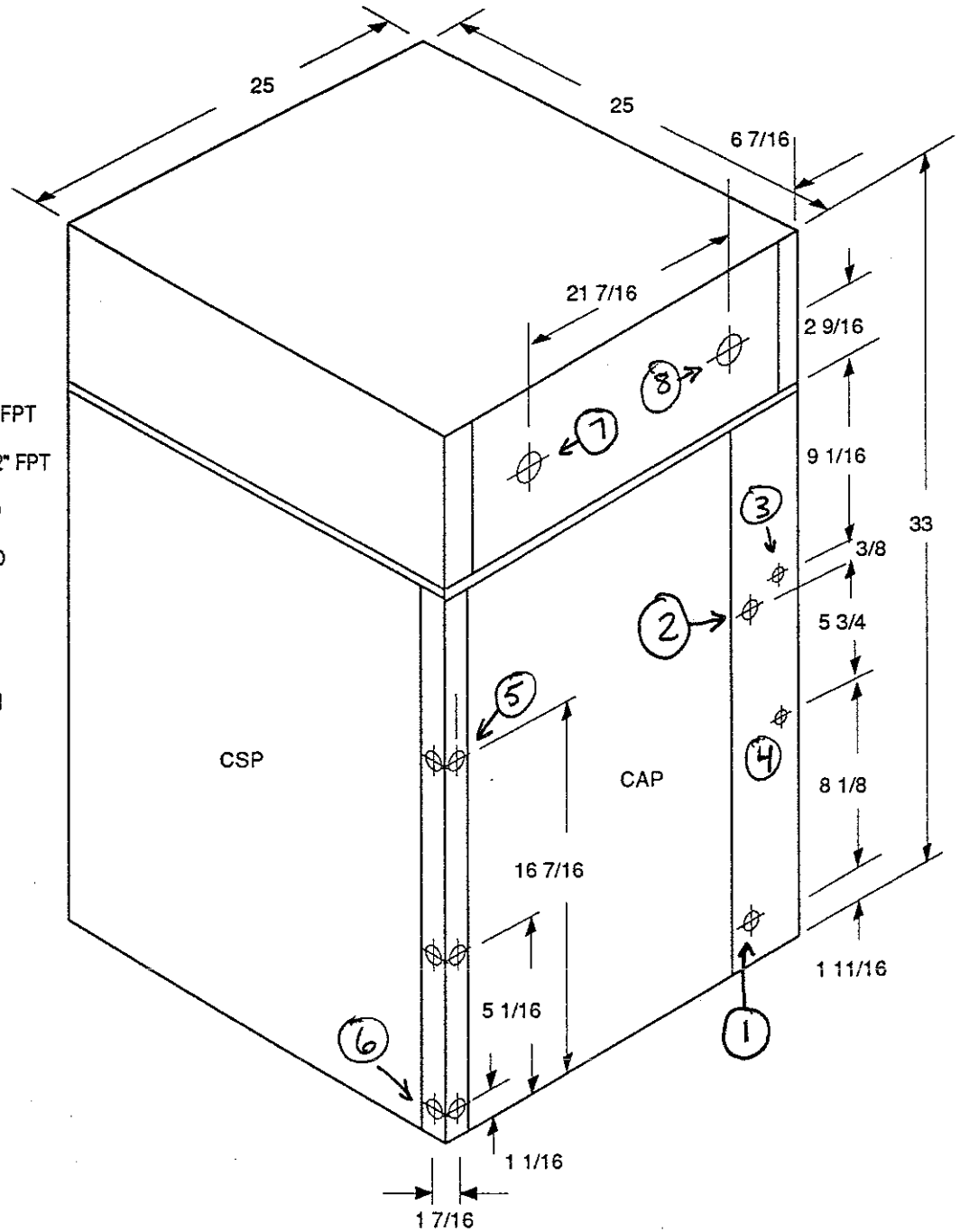
Dimensions Model WE 060

Contractor: _____	P.O.: _____
Engineer: _____	
Project Name: _____	Unit Tag: _____

WE 060 Water To Water Unit

NOTES:

- 1 - Source Water In - 1" FPT
 - 2 - Source Water Out - 1" FPT
 - 3 - Hot Water Generator In - 1/2" FPT
 - 4 - Hot Water Generator Out - 1/2" FPT
 - 5 - Low Voltage Access - 1/2" KO
 - 6 - High Voltage Access - 7/8" KO
 - 7 - Load Water In - 1" FPT
 - 8 - Load Water Out - 1" FPT
- CSP - Compressor Service Panel
CAP - Control Access Panel



ClimateMaster works continually to improve its products. As a result, the design and specifications of each product at the time of order may be changed without notice and may not be as described herein. Please contact ClimateMaster's Customer Service Department at 1-405-745-6000 for specific information on the current design and specifications. Statements and other information contained herein are not express warranties and do not form the basis of any bargain between the parties, but are merely ClimateMaster's opinion or commendation of its products.

Physical
Data
WE 060

Contractor: _____	P.O.: _____
Engineer: _____	
Project Name: _____	Unit Tag: _____

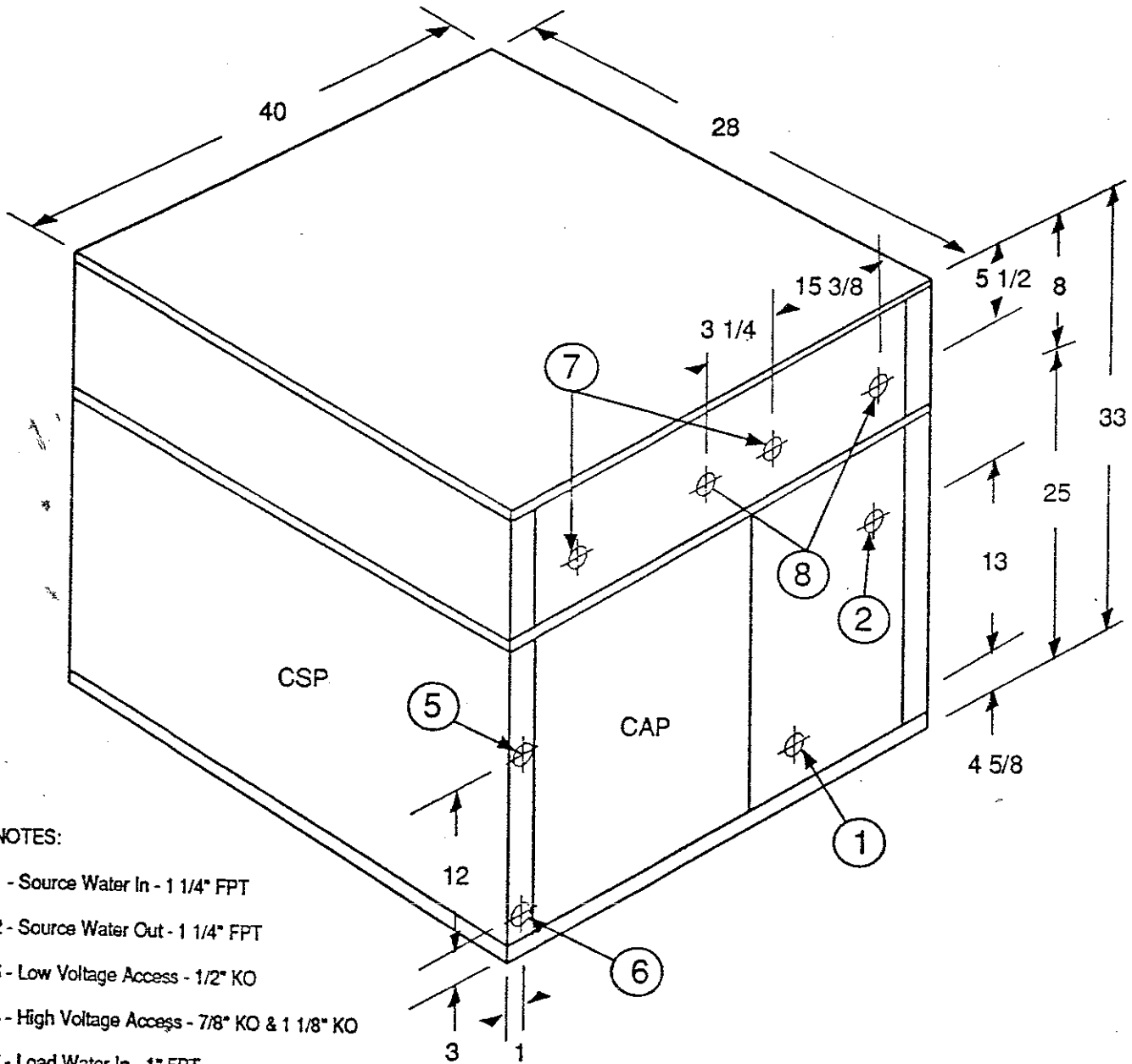
size	model no.	weight lbs	refrig. charge R22/ckt oz	Test pressure HI/LO	No. of circuits	Hi volt knockout	Lo volt knockout
60	WE		58	300/150	1	"7/8"'''	"1/2"'''

ClimateMaster works continually to improve its products. As a result, the design and specifications of each product at the time of order may be changed without notice and may not be as described herein. Please contact ClimateMaster's Customer Service Department at 1-405-745-6000 for specific information on the current design and specifications. Statements and other information contained herein are not express warranties and do not form the basis of any bargain between the parties, but are merely ClimateMaster's opinion or commendation of its products.

Dimensions Model WE 120

Contractor: _____	P.O.: _____
Engineer: _____	
Project Name: _____	Unit Tag: _____

WE 120 Water To Water Unit



NOTES:

- 1 - Source Water In - 1 1/4" FPT
- 2 - Source Water Out - 1 1/4" FPT
- 5 - Low Voltage Access - 1/2" KO
- 6 - High Voltage Access - 7/8" KO & 1 1/8" KO
- 7 - Load Water In - 1" FPT
- 8 - Load Water Out - 1" FPT
- CSP - Compressor Service Panel
- CAP - Control Access Panel

ClimateMaster works continually to improve its products. As a result, the design and specifications of each product at the time of order may be changed without notice and may not be as described herein. Please contact ClimateMaster's Customer Service Department at 1-888-745-6000 for specific information on the current design and specifications. Statements and other information contained herein are not express warranties and do not form the basis of any bargain between the parties, but are merely ClimateMaster's opinion or commendation of its products.

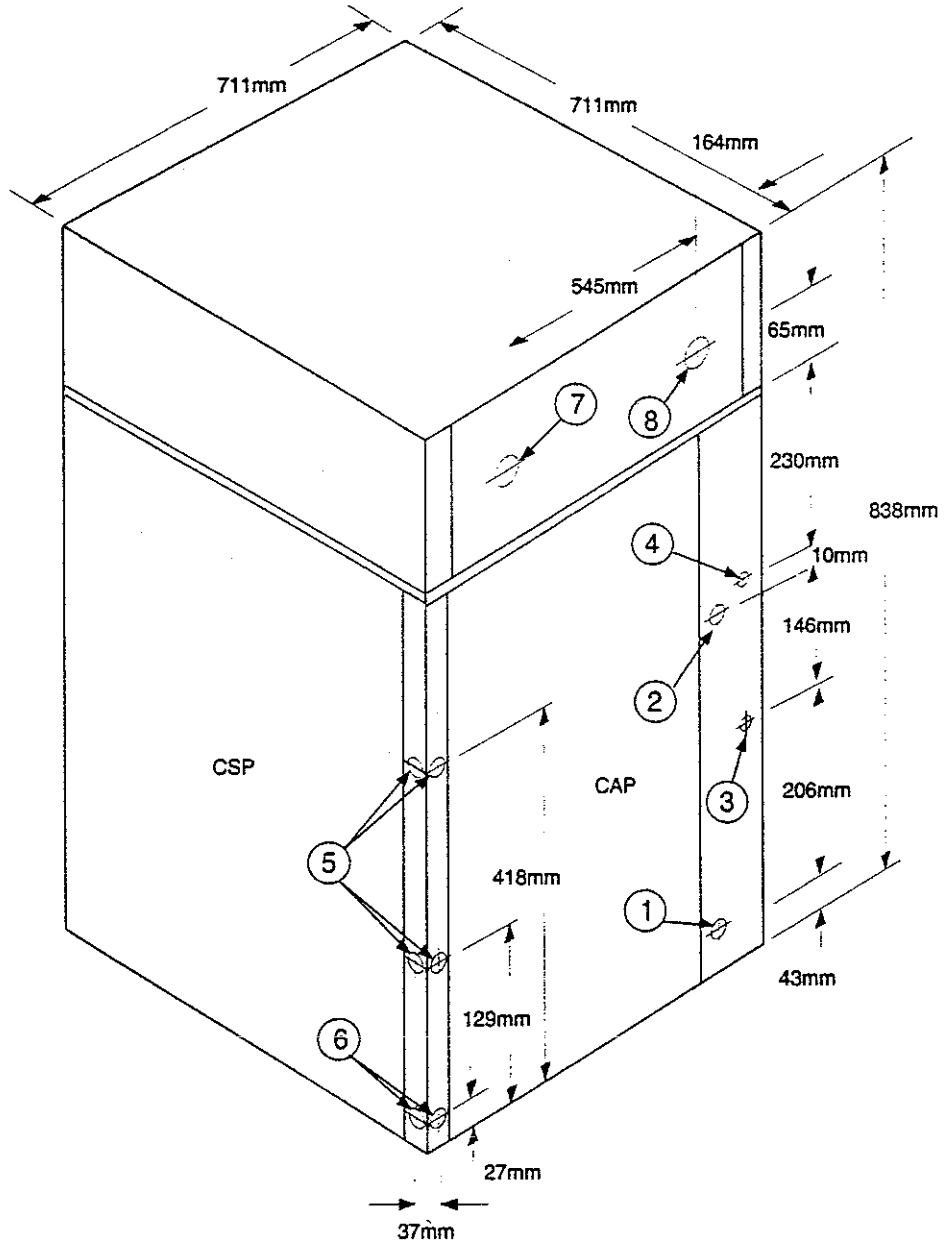
Dimensions Model WE 060

Contractor: _____	P.O.: _____
Engineer: _____	
Project Name: _____	Unit Tag: _____

WE 060 Water To Water Unit

NOTES:

- 1 - Source Water In - 25 mm FPT
 - 2 - Source Water Cut - 25 mm FPT
 - 3 - Hot Water Generator In - 13 mm FPT
 - 4 - Hot Water Generator Cut - 13 mm FPT
 - 5 - Low Voltage Access - 13 mm KC
 - 6 - High Voltage Access - 22 mm KC
 - 7 - Load Water In - 25 mm FPT
 - 8 - Load Water Cut - 25 mm FPT
- CSP - Compressor Service Panel
CAP - Control Access Panel



ClimateMaster works continually to improve its products. As a result, the design and specifications of each product at the time of order may be changed without notice and may not be as described herein. Please contact ClimateMaster's Customer Service Department at 1-805-745-6000 for specific information on the current design and specifications. Statements and other information contained herein are not express warranties and do not form the basis of any bargain between the parties, but are merely ClimateMaster's opinion or commendation of its products.

HEATING

SOURCE		10 DEG. RISE		HEAT OF	HEAT OF	
<---COLD SIDE--->		<---HOT SIDE--->		REJ.	ABS.	HTG
GPM	EWT	GPM	EWT	BTUH	BTUH	COP
10.0	50.0	9.2	100.0	45900	32750	3.5
12.5	50.0	10.2	100.0	50920	37296	3.7
15.0	50.0	11.2	100.0	55939	41842	4.0
10.0	50.0	9.0	110.0	44862	30982	3.2
12.5	50.0	10.0	110.0	49881	35529	3.5
15.0	50.0	11.0	110.0	54901	40075	3.7
10.0	50.0	8.8	120.0	43823	29215	3.0
12.5	50.0	9.8	120.0	48842	33761	3.2
15.0	50.0	10.8	120.0	53862	38307	3.5
10.0	70.0	13.0	100.0	65215	50163	4.3
12.5	70.0	14.0	100.0	70234	54709	4.5
15.0	70.0	15.1	100.0	75254	59255	4.7
10.0	70.0	12.8	110.0	64176	48395	4.1
12.5	70.0	13.8	110.0	69196	52942	4.3
15.0	70.0	14.8	110.0	74215	57488	4.4
10.0	70.0	12.6	120.0	63137	46628	3.8
12.5	70.0	13.6	120.0	68157	51174	4.0
15.0	70.0	14.6	120.0	73176	55720	4.2

COOLING

SOURCE		10 DEG. DROP		REJ.	ABS.	CLG
<---HOT SIDE--->		<---COLD SIDE--->		BTUH	BTUH	EER
GPM	EWT	GPM	EWT	BTUH	BTUH	EER
10.0	50.0	7.8	50.0	48078	39004	14.7
12.5	50.0	9.1	50.0	54881	45605	16.8
15.0	50.0	10.4	50.0	61684	52205	18.8
10.0	50.0	8.4	55.0	51531	41845	14.7
12.5	50.0	9.7	55.0	58334	48446	16.7
15.0	50.0	11.0	55.0	65137	55046	18.6
10.0	50.0	8.9	60.0	54984	44686	14.8
12.5	50.0	10.3	60.0	61787	51287	16.7
15.0	50.0	11.6	60.0	68590	57887	18.5
10.0	70.0	7.1	50.0	46115	35724	11.7
12.5	70.0	8.5	50.0	52918	42324	13.6
15.0	70.0	9.8	50.0	59720	48925	15.5
10.0	70.0	7.7	55.0	49568	38565	12.0
12.5	70.0	9.0	55.0	56371	45165	13.8
15.0	70.0	10.4	55.0	63173	51766	15.5
10.0	70.0	8.3	60.0	53021	41406	12.2
12.5	70.0	9.6	60.0	59823	48006	13.9
15.0	70.0	10.9	60.0	66626	54607	15.5

INTERPOLATION OF DATA IS PERMISSIBLE. CONSULT FACTORY FOR PERFORMANCE BEYOND THE RANGE OF ABOVE DATA.

Physical
Data
WE 060

Contractor: _____	P.O.: _____
Engineer: _____	
Project Name: _____	Unit Tag: _____

size	model no.	weight lbs		refrig. charge R22/ckt oz	Test pressure HI/LO	No. of circuits	Hi volt knockout	Lo volt knockout
		SHIP	OPER.					
60	WE			58	300/150	1	7/8"	1/2"

ClimateMaster works continually to improve its products. As a result, the design and specifications of each product at the time of order may be changed without notice and may not be as described herein. Please contact ClimateMaster's Customer Service Department at 1-405-745-6000 for specific information on the current design and specifications. Statements and other information contained herein are not express warranties and do not form the basis of any bargain between the parties, but are merely ClimateMaster's opinion or commendation of its products.

Electrical Data WE 060

Contractor: _____	P.O.: _____
Engineer: _____	
Project Name: _____	Unit Tag: _____

size	model no.	voltage	phase	min ckt. ampacity	max. fuse	LRA comp. (ea)	RLA comp. (ea)	min. volts	pump amps
60	WE060H	208	3	26.4	45	90	17.9	197	4.0
60	WE060G	208	1	42.3	70	125	30.7	197	4.0

ClimateMaster works continually to improve its products. As a result, the design and specifications of each product at the time of order may be changed without notice and may not be as described herein. Please contact ClimateMaster's Customer Service Department at 1-405-745-6000 for specific information on the current design and specifications. Statements and other information contained herein are not express warranties and do not form the basis of any bargain between the parties, but are merely ClimateMaster's opinion or commendation of its products.

ClimateMaster

Submittal Data

**Chiller
Performance
WE 060**

Contractor: _____	P.O.: _____
Engineer: _____	
Project Name: _____	Unit Tag: _____

Based on 10°F drop on load side

SOURCE HOT SIDE		10 DEG. DROP CHILLER SIDE		HEAT OF REJECTION BTUH	CHILLER CAPACITY BTUH	EER
GPM	EWT	GPM	EWT			
10.0	50	7.8	50	48078	39004	14.7
12.5	50	9.1	50	54881	45605	16.8
15.0	50	10.4	50	61684	52205	18.8
10.0	50	8.4	55	51531	41845	14.7
12.5	50	9.7	55	58334	48446	16.7
15.0	50	11.0	55	65137	55046	18.6
10.0	50	8.9	60	54984	44686	14.8
12.5	50	10.3	60	61787	51287	16.7
15.0	50	11.6	60	68590	57887	18.5
10.0	70	7.1	50	46115	35724	11.7
12.5	70	8.5	50	52918	42324	13.6
15.0	70	9.8	50	59720	48925	15.5
10.0	70	7.7	55	49568	38565	12.0
12.5	70	9.0	55	56371	45165	13.8
15.0	70	10.4	55	63173	51766	15.5
10.0	70	8.3	60	53021	41406	12.2
12.5	70	9.6	60	59823	48006	13.9
15.0	70	10.9	60	66625	54607	15.5

ClimateMaster works continuously to improve its products. As a result, the design and specifications of each product at the time of order may be changed without notice and may not be as described herein. Please contact ClimateMaster's Customer Service Department at 1-800-245-4488 for specific information on the current design and specifications. Statements and other information contained herein are not offers, warranties and do not form the basis of any bargain between the parties, but are merely ClimateMaster's opinion or representation of its products.

Page _____ of _____

P. 13/22

FAX NO. 4057452051

CLIMATE MASTERS

AUG-19-97 TUE 12:45

ClimateMaster

Submittal Data

Cooling Performance WE 060

Contractor: _____ P.O.: _____
 Engineer: _____
 Project Name: _____ Unit Tag: _____

Based on 10°F drop on load side

SOURCE COLD SIDE		10 DEG. DROP HOT SIDE		REJECTION BTUH	ABSORPTION BTUH	CLG EER
GPM	EWT	GPM	EWT			
10.0	50	7.8	50	48078	39004	14.7
12.5	50	9.1	50	54881	45605	16.8
15.0	50	10.4	50	61684	52205	18.8
10.0	50	8.4	55	51531	41845	14.7
12.5	50	9.7	55	58334	48446	16.7
15.0	50	11.0	55	65137	55046	18.6
10.0	50	8.9	60	54984	44886	14.8
12.5	50	10.3	60	61787	51287	16.7
15.0	50	11.6	60	68590	57887	18.5
10.0	70	7.1	50	46115	35724	11.7
12.5	70	8.5	50	52918	42324	13.6
15.0	70	9.8	50	59720	48925	15.5
10.0	70	7.7	55	49568	38565	12.0
12.5	70	9.0	55	56371	45165	13.8
15.0	70	10.4	55	63173	51766	15.5
10.0	70	8.3	60	53021	41406	12.2
12.5	70	9.6	60	59823	48006	13.9
15.0	70	10.9	60	66626	54607	15.5

ClimateMaster works constantly to improve its products. As a result, the design and specifications of each product at the time of order may be changed without notice and may not be as described herein. Please contact ClimateMaster's Customer Service Department at 1-800-745-6888 for specific information on the current design and specifications. Statements and other information contained herein are not express warranties and do not form the basis of any bargain between the parties, but are merely ClimateMaster's opinion or representation of its products.

ClimateMaster

Submittal Data

Heating Performance WE 060

Contractor: _____ P.O.: _____
 Engineer: _____
 Project Name: _____ Unit Tag: _____

Based on 10°F rise on load side

SOURCE COLD SIDE		10 DEG. RISE HOT SIDE		HEAT OF REJECTION BTUH	HEAT OF ABSORPTION BTUH	HTG. COP
GPM	EWT	GPM	EWT			
10.0	30	5.3	100	26586	15337	2.4
12.5	30	6.3	100	31605	19883	2.7
15.0	30	7.3	100	36625	24429	3.0
10.0	30	5.1	110	25547	13569	2.1
12.5	30	6.1	110	30567	18115	2.5
15.0	30	7.1	110	35586	22662	2.8
10.0	30	4.9	120	24508	11802	1.9
12.5	30	5.9	120	29528	16348	2.2
15.0	30	6.9	120	34547	20894	2.5
10.0	50	9.2	100	45900	32750	3.5
12.5	50	10.2	100	50920	37296	3.7
15.0	50	11.2	100	55939	41842	4.0
10.0	50	9.0	110	44862	30982	3.2
12.5	50	10.0	110	49881	35529	3.5
15.0	50	11.0	110	54901	40075	3.7
10.0	50	8.8	120	43823	29213	3.0
12.5	50	9.8	120	48842	33761	3.2
15.0	50	10.8	120	53862	38307	3.5
10.0	70	13.0	100	65215	50163	4.3
12.5	70	14.0	100	70234	54709	4.5
15.0	70	15.1	100	75254	59255	4.7
10.0	70	12.8	110	64176	48195	4.1
12.5	70	13.8	110	69196	52942	4.3
15.0	70	14.8	110	74215	57488	4.4
10.0	70	12.6	120	63137	46928	3.8
12.5	70	13.6	120	68157	51174	4.0
15.0	70	14.6	120	73176	55720	4.2

ClimateMaster works continuously to improve its products. As a result, the design and specifications of each product on the face of which may be changed without notice and may not be as described herein. Please contact ClimateMaster's Customer Service Department at 1-800-745-4888 for specific information on the current design and specifications. Statements and other information contained herein are not offers, warranties and do not form the basis of any bargain between the parties, but are merely ClimateMaster's opinion or recommendation of the products.

WE SERIES
ELECTRICAL DATA
60 Hz

Contractor: _____	P.O.: _____
Engineer: _____	
Project Name: _____	Unit Tag: _____

MODEL	VOLTAGE	COMPRESSOR		QTY	MAX FUSE & UL BREAKER SIZE	MIN CKT AMPS	R-22 CHARGE OZ/CKT
		RLA	LRA				
WE036G	208/230/1	14.5	78.0	1	35	22.1	38
WE036H	208/230/3	8.9	59.5	1	25	15.1	38
WE060G	208/230/1	30.7	125.0	1	70	42.3	58
WE060H	208/230/3	17.9	90.0	1	45	26.4	58
WE060F	460/3	8.6	45.0	1	15	10.8	58
WE060N	575/3	7.0	45.0	1	15	8.8	58
WE120G	208/230/1	30.7	125.0	2	100	73.1	58
WE120H	208/230/3	17.9	90.0	2	60	44.3	58
WE120F	460/3	8.6	45.0	2	25	19.4	58
WE120N	575/3	7.0	45.0	2	20	15.8	58