

Large Commercial Water Source Vertical Heat Pump

Form No.VLCUPS-190
Subject to change without notice.

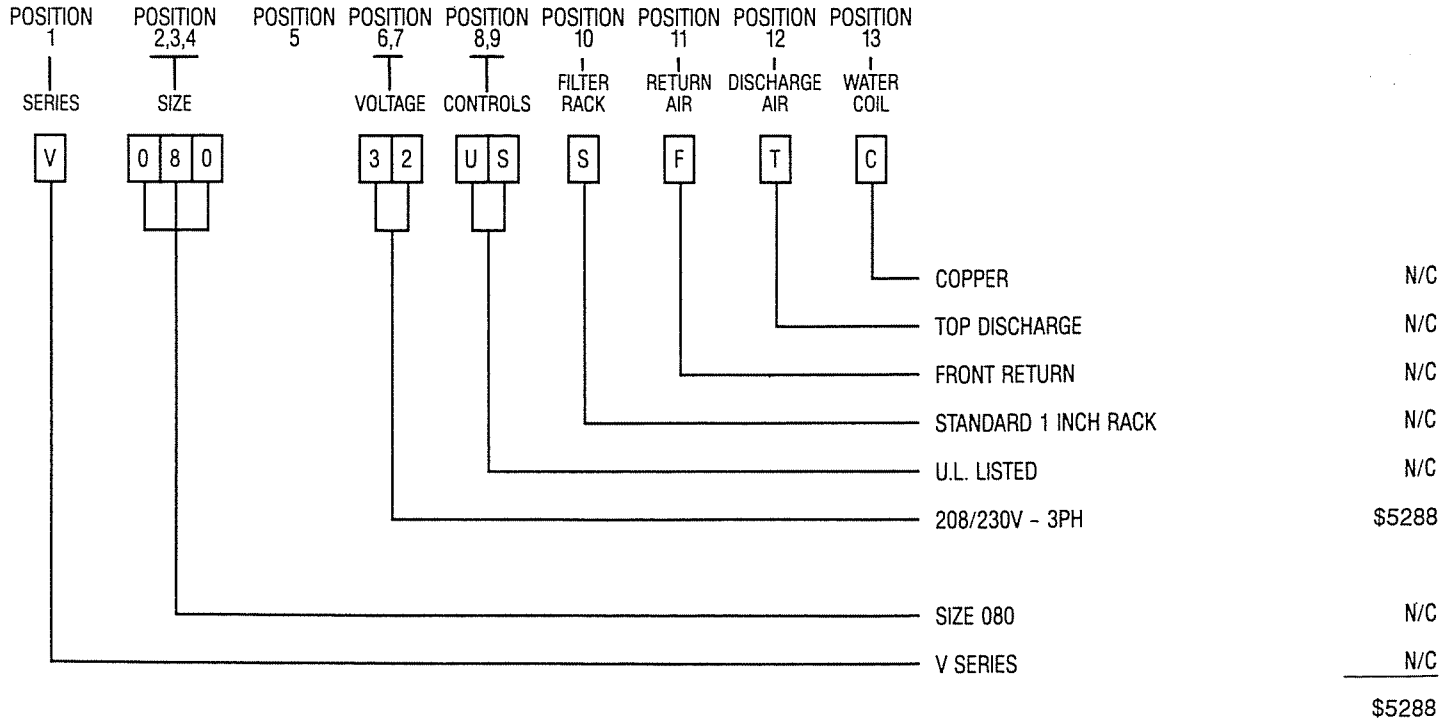
Pricing Policy:

This price sheet supersedes the price sheet dated February 1, 1989 and any subsequent addendums issued in letters to the field.

- Freight terms are "FOB Shipping Point," Full Freight Allowed. On shipments to Canada, Alaska and Hawaii, Freight terms are "FOB Shipping Point," Full Freight Allowed to the U.S. Border. Normal shipment is by truck; if premium transportation is requested, the extra cost must be borne by the requester.
- Warranty: The standard warranty on units, controls, and accessories is one year no labor.
- Check, test and start is usually the responsibility of the installing contractor, therefore, our prices do not include any check, test and start monies. If it must be added, it is the responsibility of the representative to include the money in his quotation.
- Terms of Sale are net 30 days. Credit must be approved or terms agreed upon before any equipment will be shipped.
- Project information and a credit application must be filed with the Credit Department, and where applicable, a sales tax certification.
- List Price deducts are indicated by () around the amount.

Ordering/Pricing Example:

V Series Large Commercial Water Source Vertical Heat Pump



V Series Large Commercial Water Source Vertical Heat Pump (Sizes 080-300)

Standard Heat Pump—Base Unit Prices: (Positions 2, 3, 4, 6, 7 indicate capacity and voltage options)

*Position 5 is not used.

		POSITIONS 6, 7				
		12 208/230	32 208/230 3PH	34 460 3PH	35 575 3PH	36 380 50HZ 3PH
POSITIONS 2, 3, 4	080	\$5503	\$5288	\$5300	\$5505	\$5300
	100	N/A	\$6637	\$6852	\$6943	\$6852
	120	N/A	\$7606	\$7679	\$7542	\$7679
	160	N/A	\$10101	\$10016	\$10224	\$10016
	200	N/A	\$12648	\$12642	\$12960	\$12642
	240	N/A	\$14790	\$14724	\$14241	\$14724
	300	N/A	\$17880	\$17880	\$18237	\$17880

NOTES:
N/A = Not Available

Control Options: (Positions 8, 9 indicate available control options)

		POSITIONS 8, 9 HEAT PUMP SIZES						
		US	CS	UA	CA	CO 080-120	CO 160-240	CO 300
LIST PRICE		\$ 0	\$ 0	\$ 0	\$ 0	(\$137)	(\$278)	(\$278)

NOTES:

US = Standard UL Listed Controls, use with 080 thru 120
 CS = Standard CSA Listed Controls, use with 080 thru 120
 UA = Standard Controls, with ACO Relay, use with 160 thru 240, for ACO/MCO Operation
 CA = Standard Controls, with ACO Relay, use with 160 thru 240, for ACO/MCO Operation
 CO = Cooling Only
 NA = Standard Controls, with ACO Relay, Non-UL, use with V300, for ACO/MCO Operation
 (Consult factory for net set-up charges and list price adds for control options not listed)

Filter Racks: (Position 10 indicates available filter racks)

		POSITION 10 HEAT PUMP SIZES			
		S	F 080-120	F 160-240	F 300
LIST PRICE		\$ 0	\$34	\$67	\$79

NOTES:
S = Standard 1 Inch Filter Rack
F = Flanged 1 Inch Filter Rack

Air Flow Patterns: (Positions 11, 12 indicate available air flow patterns)

		POSITIONS 11, 12					
		FT	FF	FB	BT	BF	BB
LIST PRICE		\$ 0	\$56	\$56	\$56	\$56	\$56

NOTES:

FT = Front Return/Top Discharge
 FF = Front Return/Front Discharge (Not Available on the V300)
 FB = Front Return/Back Discharge
 BT = Back Return/Top Discharge
 BF = Back Return/Front Discharge
 BB = Back Return/Back Discharge (Not available on the V-300)

Water Coil Types: (Position 13 indicates available water coil types)

		POSITION 13 HEAT PUMP SIZES							
		C	N 080	N 100	N 120	N 160	N 200	N 240	N 300
LIST PRICE		\$ 0	\$142	\$169	\$236	\$349	\$449	\$540	\$629

NOTES:

C = Copper
 N = Cupro-Nickel, with Multiple Water Coils, Not Manifoldd

ACCESSORIES

V Series

Thermostats/Subbases

CLIMATEMASTER PART NUMBER	VENDOR REF. NUMBER	APPLICATION	LIST PRICE
AT4175/AQ4766	T834A1675/Q634G1066	SINGLE STAGE MANUAL CHANGEOVER	\$ 59
AT5812/AQ5355	T874H1112/Q674C1355	SINGLE STAGE AUTOMATIC CHANGEOVER	\$ 173
AT5784/AQ5323	T874G1584/Q674C1223	SINGLE STAGE ACO, WITH NSB	\$ 194
AT5930/AQ5215	T874P1022/Q674B1315	SINGLE STAGE MCO WITH NSB OVERRIDE SWITCH AND SERVICE LEDS	\$ 198
AT5930/AQ5315	T874P1022/Q674C1215	SINGLE STAGE ACO, WITH NSB AND OVERRIDE INCLUDES OVERRIDE AND SERVICE LEDS	\$ 198
AT5411/AQ5204	T874D1611/Q674B1000	TWO STAGE MANUAL CHANGEOVER	\$ 297
AT5411/AQ5303	T874D1611/Q674C1019	TWO STAGE AUTOMATIC CHANGEOVER	\$ 292
AT5411/AQ5408	T874D1611/Q674D1008	TWO STAGE ACO, NO SYSTEM OR FAN SWITCHES	\$ 287
AT5411/AQ5705	T874D1611/Q674G1005	TWO STAGE ACO, NO FAN SYSTEM	\$ 292
AT0910	HP-2	SINGLE OR TWO STAGE PROGRAMMABLE (ACO/MCO)	\$ 434
AT12124	T841A1324	SINGLE STAGE MCO INCLUDES SUBBASE, EMERGENCY AND AUXILIARY HEAT LEDS	\$ 152
AT12234	T841B	SINGLE STAGE MCO INCLUDES SUBBASE AND NO LEDS	\$ 129
AT0907		SINGLE STAGE DIGITAL ACO/MCO STAT	\$ 145
AT0906		REMOTE SENSOR FOR AT0907 OR AT0910	\$ 27

THERMOSTAT COVERS CLIMATEMASTER

CLIMATEMASTER PART NUMBER	VENDOR PART NUMBER	DESCRIPTION	LIST PRICE
AM5045	TG500A1045	CLEAR PLASTIC COVER FOR ALL HONEYWELL T'STATS	\$ 39
AM5060	TG500A1060	BEIGE PLASTIC COVER FOR ALL HONEYWELL T'STATS	\$ 39
AM5409	TG504A1009	LOCKING COVER FOR AT5784, 5930, 5854, 5411	\$ 54
AM5417	TG504A1017	LOCKING COVER/EXTERNAL THERMOMETER FOR AT5784, 5930, 5854, 5411	\$ 54

STAINLESS CLIMATEMASTER

CLIMATEMASTER PART NUMBER	DESCRIPTION	LIST PRICE
AK1222-2	1 1/4" x 2' HOSE KIT WITH WASHERS (V-080, 100, 120)	\$ 196
AK1542-2	1 1/2" x 2' HOSE KIT WITH ADAPTER (V-160, 200, 240, 300)	\$ 383

ACCESSORIES (con't)

Loop Control Panel and Accessories

CLIMATEMASTER PART NUMBER	DESCRIPTION	LIST PRICE
MACS-002	4 STAGES HT REJ, 1 STAGE HT ADD	\$4505
68263700	WATER TEMPERATURE SENSOR	N/C
68263701	OUTSIDE AIR-TEMPERATURE SENSOR	N/C
68273700	SIMULATOR	\$ 455
68273701	REPEATER	\$ 676
68263800	FLOW SWITCH	\$ 141

1. WATER AND AIR TEMPERATURE SENSORS ARE INCLUDED INSIDE THE MACS-002.

Field Installed Kits

CLIMATEMASTER PART NUMBER	DESCRIPTION	LIST PRICE
ABO-00	SINGLE STAGE BOILERLESS KIT	\$ 91
ABO-01	TWO STAGE BOILERLESS KIT	\$ 116
ACL001	SINGLE STAGE HIGH LEVEL CONDENSATE KIT	\$ 29
ACL002	TWO STAGE HIGH LEVEL CONDENSATE KIT	\$ 59
ACF1001	CLOGGED FILTER INDICATOR	\$ 59
AORTO-120	2 HOUR OVERRIDE TIMER	\$ 40

Filters

1 INCH DISPOSABLE CLIMATEMASTER PART NUMBER	APPLICATION	LIST PRICE
68544405	V SIZES 80-240 814 SIZES 36, 42	\$ 3.00
2 INCH DISPOSABLE		
68544421	V SIZES 80 THRU 240 803/903 SIZES 240 THRU 480	\$ 4.25
68301700 FARR 30/30	V SIZES 80 THRU 240 803/903 SIZES 240 THRU 480	\$20.00
2 INCH CLEANABLE		
68301705	V SIZES 80 THRU 240 803/903 SIZES 240 THRU 480	\$35.00

Contact the factory for any specials that are not shown.
All items on these pages are U.L. Approved and Listed unless otherwise noted.
Specials will generally not be U.L. Listed.

ClimateMaster

P.O. Box 25788
Oklahoma City, OK 73125
(405) 745-6000