



Trilogi 45 (VE) Series

VARIABLE SPEED
HORIZONTAL VERTICAL AND DOWNFLOW
EARTH PURE SYSTEMS SIZES 0930-1860

Table of Contents

Overview.....	4-5	Dimensions – Vertical Upflow	30-31
iGate® Web-Enabled Communicating Controls.....	6	Service Access – Vertical Upflow.....	32
iGate® ClimaZone™ Zoning Panel.....	7	Dimensions – Vertical Downflow	33-34
iGate® Connect.....	8	Service Access – Vertical Downflow.....	35
Trilogy® PC Service Tool.....	9-10	Dimensions – Horizontal	36-37
myUplinkPRO Web Portal.....	11-12	Service Access – Horizontal.....	38
vFlow® Internal Variable Water Flow Control	13	Electrical Data.....	39
Design Features.....	14-15	Standard Electrical Wiring Diagram.....	40-41
Unit Model Key.....	16	ECM Blower Performance Data.....	42
AHRI/ISO/ASHRAE 13256-1.....	17	Pump Curves Data.....	43
Reference Calculations & Legend.....	18	Auxiliary Heat Ratings.....	44
Entering Air Correction Factors.....	19	Auxiliary Heat Electrical Data.....	44
Performance Data	20-27	Accessories, Options, and Warranty.....	45
Physical Data.....	28	Revision History	48
Unit Airflow Configurations	29		

Overview

OVERVIEW

Trilogy 45 is the next revolution in residential energy efficiency and will set ClimateMaster dealers in a class of their own in the home heating and cooling market. It is the first geothermal heat pump ever certified by AHRI to exceed 45 EER and is 47% more efficient than any other geothermal heat pump available today.

The Trilogy VE far exceeds the capabilities of any other HVAC unit on the market today with the three significant differentiators:

1. The fully variable system exceeds **45 EER** (highest in industry), driven by a variable speed compressor, fan and pump (the Trilogy).
2. The MOST INTELLIGENT system in the residential industry with **Advanced Monitoring and Diagnostics**. The communicating control monitors smart sensors across the unit to display operation, faults and possible causes in PLAIN ENGLISH on the thermostat, laptop software tool and on a web portal.
3. **Web-enabled configuration and diagnostics** not only provides dealers to web access the Trilogy's real-time operating data and fault information, but, also make changes to configuration of the unit from any web-enabled computer or tablet.

The Trilogy is a packaged water-to-air system that far exceeds ENERGY STAR Tier 3 efficiency levels. Trilogy is available in two models, with the capacity range of the first model between 9K–30K and the second model between 18k–60k BTUH.

FEATURES

Ultra-High Efficiency

The revolutionary new Trilogy utilizes variable speed technology matched with communicating controls and a micro-channel air coil to deliver the highest efficiency (45 EER+) in the industry. It also delivers an extremely wide range of heating and cooling capacities, with the ability to perfectly match loads to as low as 30% of maximum, thus delivering ultra-high efficiency and low operating costs. Due to the wide range of operation, it can also completely eliminate the use of auxiliary heat even in far Northern climates.

Ultimate in Comfort, Humidity Control and Low Sound Levels

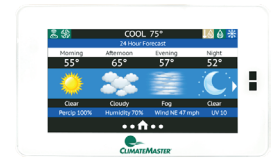
In addition to efficiency, the Trilogy delivers unsurpassed comfort and humidity control by precisely matching capacity to the heating and cooling load while also operating at very low sound levels. It provides better humidity control compared to any system in the market by controlling the air coil temperature, modulating the variable speed fan, and running longer to increase moisture removal.

iGate Advanced Monitoring and Diagnostics On the Web



Trilogy is THE MOST INTELLIGENT residential unit in the market with Advanced Monitoring and Diagnostics. The communicating control monitors unit operation from 15 sensors in the unit to display operation, faults and possible causes in PLAIN ENGLISH.

If a fault occurs, the homeowner will first see a "Service Needed" on the thermostat, along with dealer name/ phone number, fault condition and possible causes. The homeowner can then relay this information to their dealer and the dealer can access the



real-time operating information on a web portal and make configuration adjustments from the web. The unit can be configured and diagnosed from the thermostat or using a laptop service tool as well.

If the issue requires the dealer's attention, the dealer can put the thermostat in Installer Mode in order to:

1. Obtain the fault description and possible causes.
2. Read the conditions AT THE TIME OF THE FAULT across all aspects of the unit (water circuit, refrigerant circuit and air circuit) to determine the cause.
3. Manually operate the unit, from the thermostat or laptop service tool, to isolate the issue.

The system electronically measures, calculates and displays:

1. Refrigerant circuit:
 - Superheat, Subcool
 - Suction pressure/temperature, discharge pressure/temperature, refrigerant temperature at entering / leaving the source coil and air coil
 - Compressor speed
 - Electronic Expansion Valve operation
2. Water circuit / loop
 - Entering/ Leaving water temperature
 - Water flow rate
 - Loop pressure
 - Internal Pump speed
3. Air section
 - Airflow CFM and blower RPM
 - Leaving air temperature
4. Other information
 - Internal pump speed

Overview

iGate ClimaZone™

This optional addition to the Trilogy is a zoning system (AZC06CAR) that allows a single unit to be controlled by multiple iGate Connect thermostats, conditioning the home in smaller zones instead of a single large zone. The Trilogy system accommodates six zones with a single zone panel or up to twelve zones with the addition of a second panel. With zoning a home is more comfortable and the HVAC system more efficient by directing conditioned air only when and where it is needed giving the homeowner complete control over their cooling and heating. System configuration and diagnostics are available via the Trilogy PC service tool.

PC / Laptop Service Tool

To help crunch all the operating and fault data coming out of the Trilogy unit, ClimateMaster offers a PC/laptop tool to configure and diagnose the system. PC/laptop loaded with the software plugs in to the EXM board using an optional cable to help download and analyze the data.

iGate Web-Enabled Configuration and Diagnostics

Trilogy has industry-exclusive two-way communicating controls, which allow for communication between smart components/sensors, the board, and the web-enabled thermostat. For installing and servicing contractors, this means **unprecedented ease of setup and troubleshooting through the thermostat and through the dealer portal on the internet.** The unit uses this technology to monitor every aspect of system operation to ensure peak performance. This unit is so advanced, it requires minimal configuration at start up and it easily tells the homeowner/contractor if something is wrong.



Digital Communicating Control Features:

- Communicating interface to compressor, web-enabled thermostat, fan motor and geo source pump
- Comprehensive setup and diagnostics via system thermostat, PC service tool, and the internet
- High pressure, loss of charge, freeze and condensate overflow protection
- Intelligent fault retry with history retention
- Service tool port for optional setup and diagnostics at unit
- Auxiliary relay outputs for accessory connections

Thermostat interface:

Configure / setup:

- Minimum setup required as the unit self-adjusts air and water flow to demand
- Accessory configuration
- User-configurable utility demand reduction

Monitor (displayed on thermostat):

- Blower CFM, air temperature and RPM
- Water entering/leaving temperature, loop pressure and flow (GPM), geo source pump speed
- Refrigerant pressure/temperature (at compressor suction/discharge, at Air coil, at water coil)
- Calculation and display of SuperHeat, SubCool

Diagnose (on thermostat):

- Fault description, possible causes
- System status at time of fault (all temperature, pressure, flows)
- Diagnostic display of system inputs, outputs, and configuration settings at thermostat
- Immediate manual control of EXM outputs at thermostat for rapid troubleshooting

Internal Variable Water-Flow Control

The Trilogy offers integrated variable speed source control for ground loop geothermal applications, which includes:

three-way flush valves and ports, expansion tank, high efficiency variable-speed pump, transducers and a communicating system to display this information. The system provides optimal geothermal source flow to maximize overall system efficiency and performance for each operating mode.

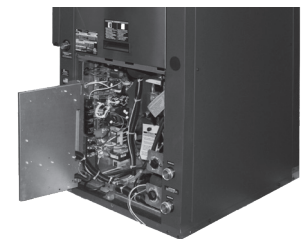


Installers can now directly connect the source loop to the unit, which decreases the labor involved with installing a bulky external pumping module. The variable speed pump, part of the “Trilogy” system, also provides homeowners significant operating cost savings by consuming fewer watts than fixed speed external pumping modules. As vFlow matches flow to the unit operation and the Trilogy unit operates at lower speeds most of the time, the savings from vFlow on the Trilogy are even greater than Tranquility two-stage units with vFlow.

Other new features include, flow & temperature and pressure & temperature transducers for monitoring the source water. These allow more accurate loop water measurements and allow for easier troubleshooting of source loop issues.

Dealer-Friendly Cabinet and Swing-out Control

The cabinet for Trilogy has been designed with the dealer in mind. A unique swing-out control box and thoughtful internal layout allow nearly all servicing from the front access panel. For items requiring access from other sides, just three more panels give a dealer full access to any component in the unit. The low voltage panel can even be quickly pulled off the hinges and removed. Harness connections make controller replacement a snap.



Of course, majority of the unit troubleshooting can be done at the thermostat, web portal or using the PC/laptop service tool, keeping the technician out of tight spaces. Since geothermal source functions are integrated within the cabinet, there is no additional space required for bulky external pumping modules.

iGate® Web-Enabled Communicating Controls

iGate® Information gateway to monitor, control and diagnose your system – on the internet through a computer or mobile device

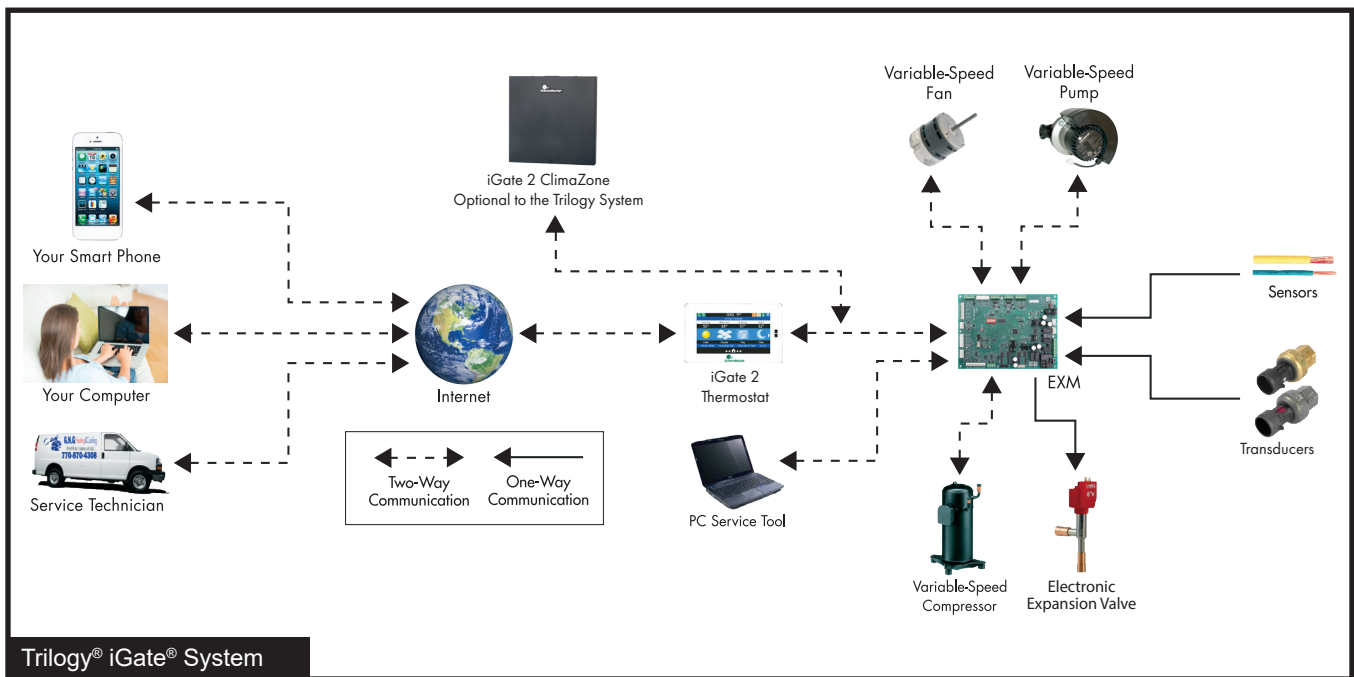


The Trilogy® 45 is equipped with industry-first, iGate® Connect – Web-enabled Information Gateway – a 2-way communicating system that allows users to interact with their geothermal system in plain English on the thermostat / internet AND delivers improved reliability and efficiency by precisely controlling smart variable speed components. iGate makes the Trilogy series easiest geothermal products to install and service.

Monitor/Configure—Installers can configure Trilogy® units from the thermostat, PC service tool or dealer portal on the internet, including max/min unit capacity, airflows, water ΔT, etc. Users can look up the current system status: temperature sensor readings and operational status and resulting performance information, in plain English on the AWC99 thermostat, PC Service tool or dealer portal on the internet.

Precise Control—The new EXM board enables intelligent, 2-way communication between the EXM board and smart components like the communicating thermostat, fan motor, Compressor, Electronic Expansion Valve and water pump. The Intelligent EXM board uses information received from the smart components and sensors to precisely control operation of the variable-speed fan, compressor and water pump to deliver the highest efficiency, reliability and increased comfort.

Diagnostics—iGate® takes diagnosing geothermal units to the next level of access and simplicity, by providing a dashboard of system and fault information, in plain English, on the iGate Connect thermostat, PC service tool and the dealer portal on the internet. iGate Service Warning warns the homeowner and dealer of a fault and displays fault descriptions by email and possible causes and current system status on the dealer portal on the internet. In iGate Service Mode, the service personnel can access fault descriptions, possible causes and most importantly, conditions (temp, flow, i/o conditions, configuration) at the time of the fault and at the time of the call. Manual Operation mode allows the service personnel to manually command operation to help troubleshoot specific components. With the iGate communicating system, consumers and contractors have a web-enabled gateway to system information never before available.



iGate® ClimaZone™ Zoning Panel

iGate ClimaZone is the the zoning panel used with the Trilogy® System and the iGate Thermostat.



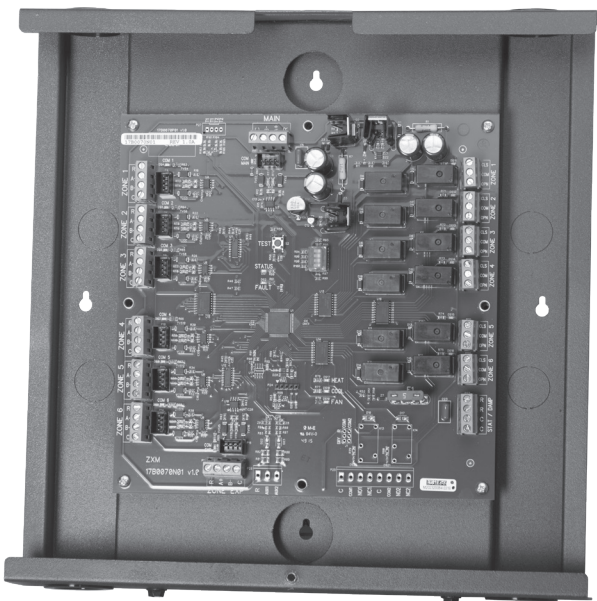
Features

- Designed for use with Trilogy System
- Compatible with new and existing Trilogy systems
- One unit accommodates up to six zones with a single zone panel or up to twelve zones with two zone panels
- Each zone may have up to 3 dampers (purchased separately)
- iGate Connect thermostat controls each zone and provides internet-connected communications
- System configuration and diagnostics available via ClimateMaster Trilogy PC Service Tool

Application Flexibility

Zoning Components

- iGate ClimaZone Zone Panel – up to 2 per Trilogy system
- iGate Connect Thermostat – 1 per zone
- Zone Damper – up to 3 per zone
- Transformer – for damper and thermostat power
- Trilogy PC Service Tool Outdoor Temperature Sensor
- Indoor Remote Temperature Sensor
- Wall Mounted Remote Indoor Temperature sensor



iGate® Connect

iGate Connect features a variety of ways to access and control your Trilogy Geothermal Heating and Cooling System.



Web-Enabled Home Thermostat

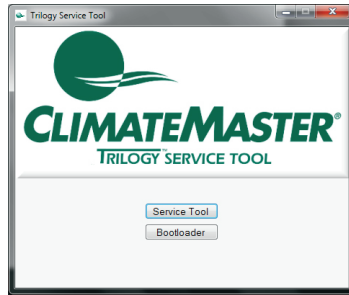
- Communicates personal settings and reminders through the iGate communication system
- Easy to use, full color, high resolution interface
- Receives notification for routine maintenance
- Sleek, intuitive button control
- Secure internet connection keeps your information private
- Contains Trilogy unit model, serial number and dealer contact information
- Service and system performance information is stored in the thermostat, increasing the accuracy of diagnosis

Web Portal Accessible Any Time, Any Where

- Remote login from anywhere, anytime from any device and adjust settings
- Set personal schedule by day, week or month including those times when you will be away from home for vacation or business
- Information is remotely available (if you wish) to your dealer through a dealer portal for remote troubleshooting and diagnosis.
- Secure internet connection keeps your information private
- Access your thermostat with Android and iPhone mobile apps

Trilogy® PC Service Tool – Exclusively Available on Trilogy

To help utilize the considerable data generated by the Trilogy and make configuration, monitoring and diagnostics easier, ClimateMaster has developed the Trilogy Service Tool for PC.



The service tool software installs on a PC / laptop. Connect the PC to the EXM board in the Trilogy using the cables from service tool kit ASVCTOOL01.

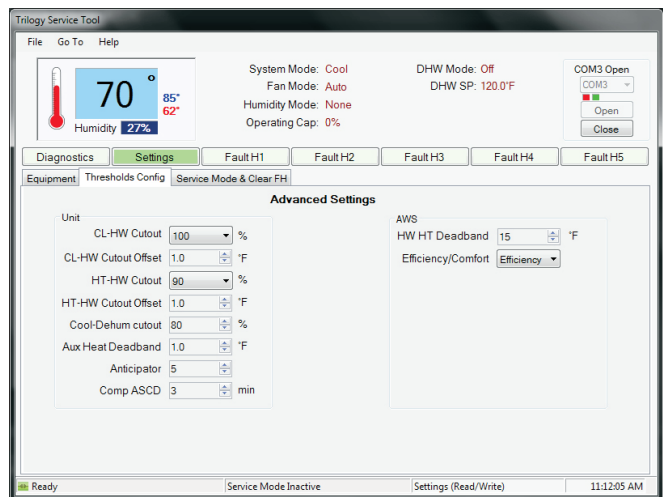
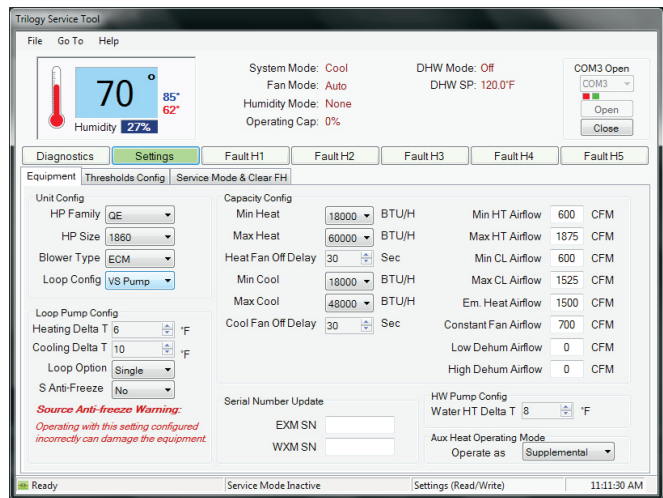
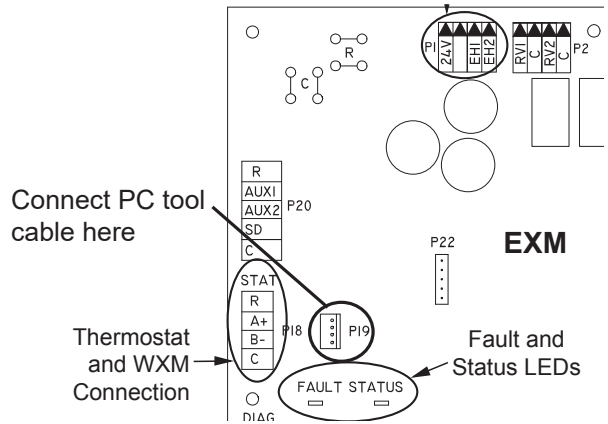
From the software you can:

1. Update the software on the EXM board using the bootloader.
2. Configure, diagnose and manual operation of the Trilogy from the service tool.

Configuration:

The service tool software includes three pages of configuration data for your Trilogy and the following are values that can be configured on these pages:

1. Equipment
 - Unit family, blower type, loop config
 - Loop delta T; single/parallel; Anti-freeze
 - Capacity: Min/Max Cool/Heat
 - Airflows
 - Serial # updates
 - Aux. heat operating mode
2. Thresholds (limits)
 - Cooling-Dehumid cutout
 - Anticipator
 - Compressor ASCD minutes
3. Service mode/ clear fault history
 - Enter service mode
 - Manual operation:
 - Operating mode
 - Target airflow
 - Loop pump speed
 - Clear Fault History

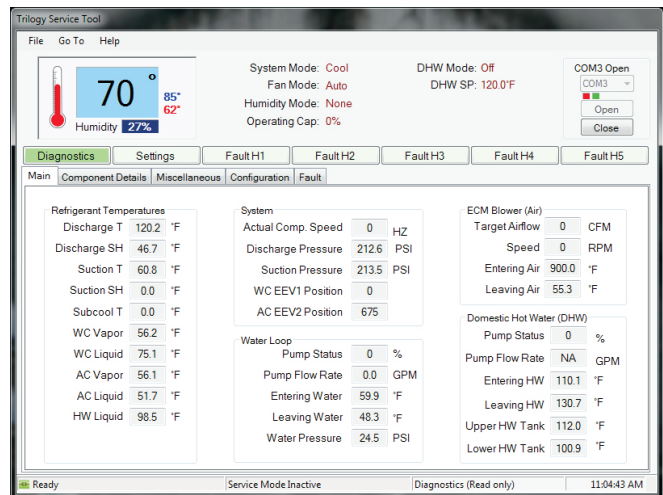
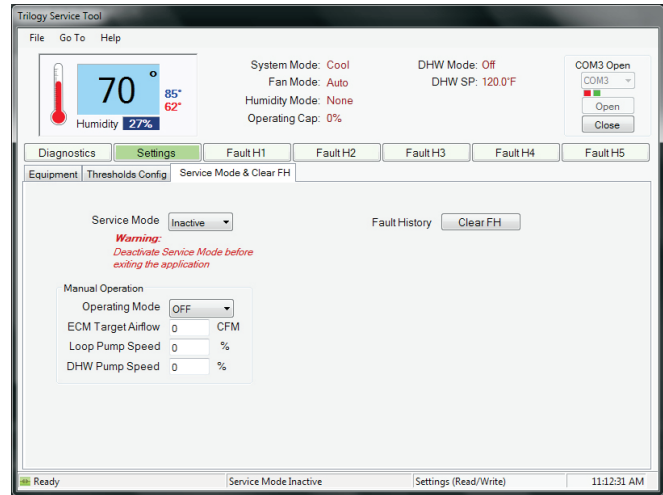


Trilogy[®] PC Service Tool – Exclusively Available on Trilogy

Diagnostics / REAL-TIME operating data:

The service tool software includes five pages of configuration data for your Trilogy and you can get all readings and calculated values in REAL TIME from the EXM board. The following are values that can be viewed on these pages:

1. Calculations
 - Discharge Superheat
 - Suction Superheat
 - Subcooling
 - HR/HE
 - Loop Pump Watts
 - Current % Capacity
2. Sensor values
 - Space Temp
 - Space Humidity
 - Discharge Pressure
 - Discharge Temp
 - Suction Pressure
 - Suction Temp
 - Air Coil Liq Temp
 - Air Coil Vap Temp
 - Loop Water Coil Liq Temp
 - Loop Water Coil Vap Temp
 - Loop Entering Water Temp
 - Loop Leaving Water Temp
 - Loop GPM
 - Loop Pressure
 - Loop Pump Speed
 - Loop Pump Return
 - Fan CFM
 - Fan RPM
 - Fan Watts
 - Leaving Air temperature
 - Target Compressor Speed
 - Compressor Current
 - Inverter Current
 - Inverter DC Bus Volt
 - Inverter Sink Temp
 - Compressor Watts
 - Electronic Expansion Valve1 Step
 - Electronic Expansion Valve2 Step
 - Reversing Valve1 Status
 - Reversing Valve2 Status
 - Ambient Cabinet Temp
 - EXM Control Voltage
 - Dip switch status



Fault Codes

The service tool software includes five pages of data for every fault code and saves up to 5 fault codes. You can get all readings and calculated values in AT TIME OF FAULT from the EXM board.

myUplinkPRO Web Portal

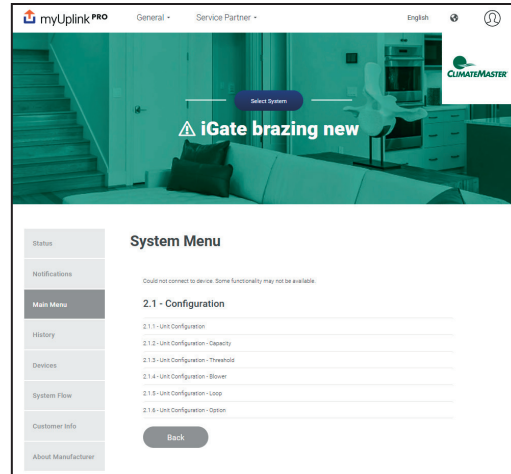
ClimateMaster has taken the convenience of monitoring, configuring and diagnosing the Trilogy to the next level by making all unit operating information available on the Internet through the web portal.

The myUplinkPRO web portal is your gateway to all your iGate® 2.0 Connect thermostats.

Configure

Change settings of 25 adjustments in the Trilogy – from the INTERNET! These adjustments include:

- Airflow (min/max for every mode)
- Capacity (min/max for every mode)
- Delta T (cooling, heating)
- Blower off delays
- Compressor short cycle time
- Loop pump – single unit or multiple on one loop (parallel)
- Aux heat deadband

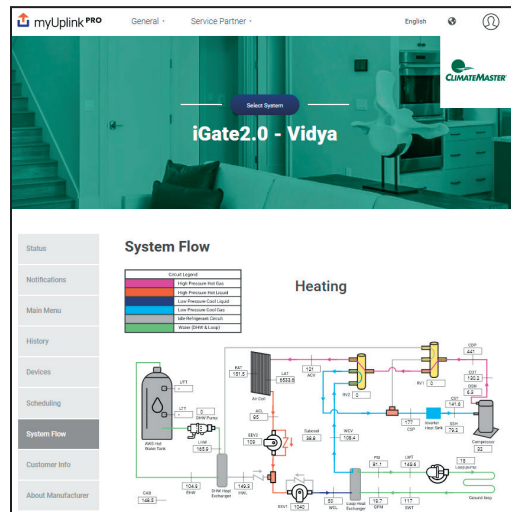


Monitor

Monitor diagnostic data points – real time. The system also stores data at 5 minute increments for the last 3 days of operation.

Examples of data available on the dealer portal is:

- Superheat / subcool
- HE/ HR
- Current compressor % capacity
- Loop entering and leaving water temperature; Loop flow (GPM); Loop pressure
- Refrigerant temperature at
 - Air coil
 - Loop water coil
- Compressor suction + discharge temperature and pressure
- Loop pump speed, return and watts (watts calculated)
- Fan CFM, RPM and watts; Leaving air temperature
- Compressor speed, current, inverter current, inverter sink temp, compressor watts, EXM control voltage
- Expansion valve step and reversing valve status
- Cabinet ambient temp



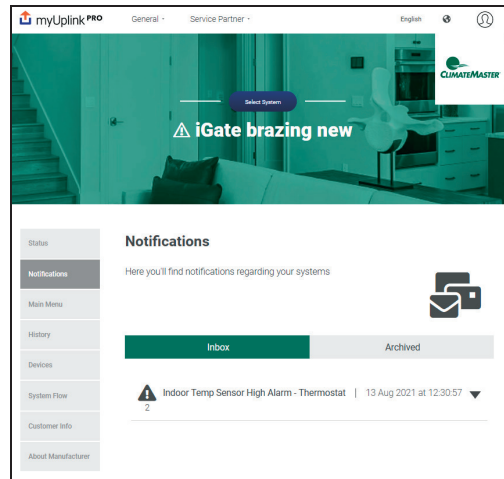
myUplinkPRO Web Portal

Diagnose

Last 5 fault codes and operating condition are saved on the EXM and communicated to the dealer portal. You can then reference the troubleshooting smart phone app (see section below) to find possible causes and instructions on fixing the issue.

Smart phone App

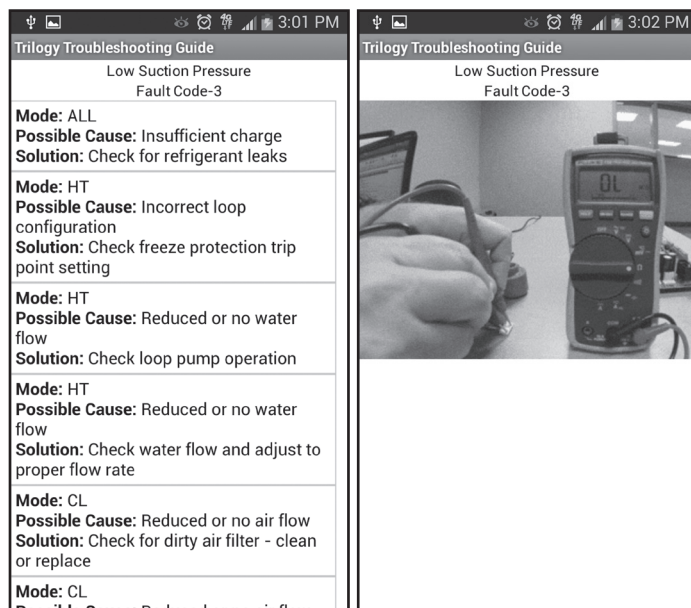
The Climatemaster Trilogy Troubleshooter allows GeoElite service technicians access to the latest, web-based information* on any of the possible fault causes, as well as troubleshooting tips and possible solutions for the Trilogy Variable Speed heat pump.



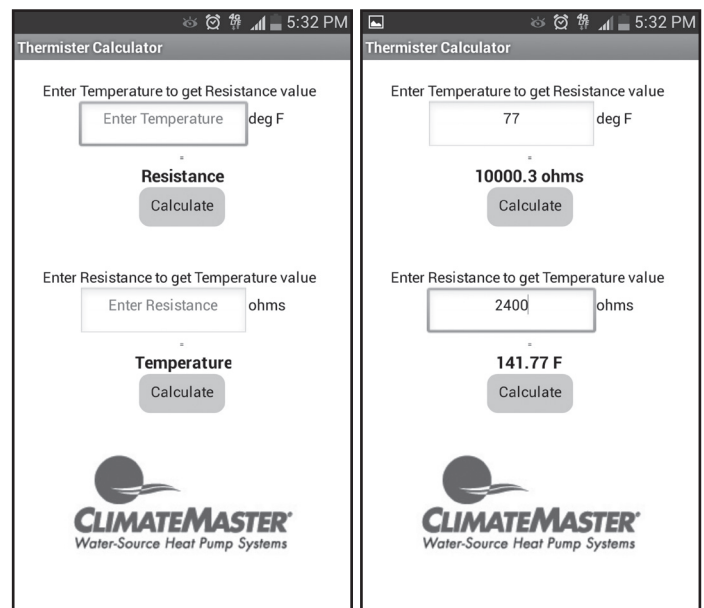
The Trilogy Troubleshooter uses a companion application, the Thermister Calculator (T-Calc is a separate download), so that technicians can quickly convert between temperatures and resistance to troubleshoot temp sensors.

* Internet/Data connection required to access fault information. The Android app is available at: https://play.google.com/store/apps/details?id=appinventor.ai_soward_dane.Trilogy_Troubleshooter

Troubleshooting App



Thermistor Calculator



vFlow[®] Internal Variable Water Flow Control

vFlow Internal Variable Water Flow

Industry-first, built-in vFlow replaces a traditionally inefficient, external component of the geothermal system (water circulation) with an ultra-high-efficient, variable speed, internal water flow system. This saves homeowners 70-80% on operating water circulator vs traditional single speed pump systems. It saves installers time and labor by avoiding installing bulky external flow centers or flow regulators. Multi-unit installations are also much simpler with vFlow systems, as the units automatically adjust water flow across the system.

vFlow is enabled by iGate, which facilitates intelligent communication between the thermostat, DXM2 control, sensors and internal water pump to make true variable water flow a reality.

vFlow delivers three main benefits:

- 1) Easier and quicker unit installation as the flow control is built in to the unit.
- 2) Superior reliability by varying the water flow to deliver more stable operation.
- 3) Higher cost savings by varying the flow (and pump watt consumption) to match the unit's mode of operation.

Internal components

Trilogy 45 can be installed more easily and compactly than its predecessors because water-flow components are internal to the unit. It also saves installing contractors labor and time by eliminating the need for an external flow regulator or a bulky external pumping module. Included are variable-speed pump, flushing ports, 3-way flushing valves, and expansion tank.



Variable flow

vFlow technology enables variable water flow through the unit, adjusting the pump speed to maintain an installer-set loop ΔT . By controlling the water flow, the system is able to operate at its optimal capacity and efficiency. vFlow provides a lower flow rate for part load where units typically operate 80% of the time and a higher, more normal flow rate for full load operation.

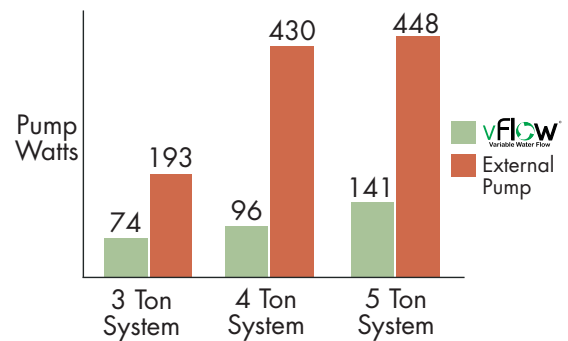


Variable speed pump delivers variable water-flow based on loop water ΔT .

Energy Savings with water circulation control

Units with vFlow deliver higher operating cost savings by varying the water flow to match the unit's operation (ex: lower water flow when unit is in part load operation). Lowering the flow results in lower energy consumption by the water pump (=higher cost savings) in vFlow units (whether internal or external pump).

In closed loop applications, using vFlow with an internal variable-speed (ECM) flow controller, the ECM pump uses fewer watts than a fixed speed (PSC) pump, even at full load (see chart). The ECM pump excels in energy savings in part load, saving 70–80% watts compared to fixed speed pumps (see chart). The ECM pump can operate with independent flow rates for heating and cooling, further saving even more energy.



Trilogy 45 Design Features

The Trilogy 45 Series is a fully variable system with abundant features and ultra-high efficiency.

Application Flexibility

- Two Capacities 0930 and 1860 (modulates between 9K - 30K or 18K - 60K Btuh)
- Fully variable/modulating system. Set your desired capacity within capacity range and the unit modulates to hold that capacity across the ENTIRE operating range.
- Entering water temperature operation range (20-120°F EWT) and flow rates as low as 1.5 gpm per ton
- Upflow, downflow, and horizontal right or left return
- Internal (upflow and downflow only) electric heat unit (optional) designed for easy field installation.
- Optional external (horizontal units) electric heat unit designed for easy field installation
- Web-enabled remote access on internet:
 - Homeowner can set setpoints, schedules, vacation, etc. from a smartphone/computer.
 - Dealers can remotely troubleshoot and diagnose units from anywhere through a smartphone, computer or mobile device.
- Standard pre-installed 2" filter frame with 2" high performance MERV 11 pleated air filter
- Integrated vFlow allows a cleaner, compact installation and saves time in installation

Operating Efficiencies

- Exceeds ASHRAE 90.1 and Energy Star Tier 3 efficiency levels
- EarthPure HFC-410A zero ozone depletion refrigerant.
- Rugged and highly efficient Mitsubishi variable speed compressor (0930 system includes rotary, 1860 system includes scroll) provides ultra-high efficiencies and unsurpassed comfort.
- Brazed plate water-to-refrigerant heat exchangers deliver higher efficiencies in smaller sizes.
- Next generation all aluminum microchannel air coil for high efficiency
- Large low RPM blowers with variable speed ECM fan motors provide quiet, efficient air movement with high static capability. Installer electronically selectable ECM air flow provides the ultimate in comfort optimization.

Service & Installation Advantages

ClimateMaster's Trilogy 45 series incorporates features that are industry firsts, which make it extremely easy to install:

- Ease of installation:
 - 1) vFlow - with the industry exclusive features, these units are ready to install out of the box with no requirement for external pumps, expansion tanks, or valves for the ground loop, removing a lot of the complexity of installation.
 - 2) Web-enabled iGate: Full digital controls that communicate with the thermostat which allows all unit configuration from the thermostat, PC service tool connected to the unit or through the dealer portal on the internet... the easiest installation setup for any level of installer. Far simpler than the use of dip switches on the unit control board.
- Trilogy 45 only requires 4 wires between the communicating thermostat and the unit. Others require up to 9 or 14 wires for full functionality. This is achieved by leveraging the full power of the microprocessor on the control.
- Internal variable speed circulator includes an internal check valve for multiple unit/ shared loop installations.

- The communicating EXM control board diagnostic and communicating thermostat features allow web-enabled iGate Connect access to performance information on thermostat, PC service tool or dealer portal on internet.
- The two-section swing-out and removable control box design provides wide-open service access to the compressor section. Multiple unit access panels allow technicians to access any side of the cabinet. Service friendly highly accessible high/low refrigerant pressure ports are located on a service bracket at the front of the unit. No other product / manufacturer in the geothermal segment offer this convenience.
- An innovative two-section electrical control box design that tucks the stationary line voltage components safely behind a swing-out low voltage control panel to provide clear service access through the front of the unit. The low voltage panel can even be quickly pulled off the hinges and removed. Harness connections make controller replacement a snap.
- 3/4" MPT condensate connection directly from condensate drain pan eliminates internal plastic drain tubing that is subject to clogging and avoids the need for a fitting that reduces the drain opening size.
- Diagnostic display of system inputs, outputs, and configuration settings at thermostat, PC service tool or on the internet.
- Web-enabled communicating iGate Connect Thermostat only uses the AWC99** thermostat.
- Diagnostic display of system temperatures at thermostat (AWC99**):
 1. Refrigerant circuit:
 - Superheat, Subcool
 - Suction pressure/temperature, discharge pressure/temperature, refrigerant temperature at entering / leaving the source coil and air coil
 - Compressor speed
 - Electronic Expansion Valve operation
 2. Water circuit / loop
 - Entering/ Leaving water temperature
 - Water flow rate
 - Loop pressure
 - Internal Pump speed
 3. Air section
 - Airflow CFM and blower RPM
 - Leaving air temperature
 4. Other information
 - Internal pump speed
- Immediate manual control of all EXM outputs is available at the thermostat (AWC99**) or iGate Connect Service tool or dealer portal for rapid troubleshooting.
- Expansion tank eliminates "flat loop" callbacks by working to maintain steady loop pressure.
- Brass swivel geo connections for quick connection and elimination of wrenches or sealants during installation.
- Intelligent fault retry with history retention.
- Two configurable auxiliary relays for low voltage control of accessories.
- UPS (Unit Performance Sentinel) provides early warning of inefficient operation.

Trilogy 45 Design Features

Factory Quality & Industry Certifications

All units are built and factory run tested on our Integrated Process Control Assembly System (IPCS). The IPCS is a unique state of the art manufacturing system that is designed to assure quality of the highest standards of any manufacturer in the water-source industry. Our IPCS system:

- Verifies that the correct components are being assembled.
- Automatically performs special leak tests on all joints
- Conducts pressure tests
- Performs detailed operational test
- Automatically disables packaging for a "failed" unit
- Creates computer database for future service analysis and diagnostics from operational test results
- All refrigerant brazing is done in a nitrogen atmosphere
- All units are deep evacuated to less than 100 microns prior to refrigerant charging
- All joints are both helium and halogen leak tested to insure annual leak rate of less than 1/4 ounce
- AHRI/ASHRAE/ANSI/ISO 13256-1 certified.
- ETL listed.
- US EPA "Energy Star" Tier 3 compliant.

Advanced Controls

iGate communicating control provides advanced unit functionality and comprehensive configuration, monitoring and diagnostic capabilities through digital communication links with the variable-speed fan motor, variable-speed source pump (or modulating valve) and communicating thermostat or Configuration/Diagnostic tool.

- Temperature sensors/transducers for system protection and control
- Anti-short cycle and over/under voltage protection
- High pressure, loss of charge, and condensate overflow protection
- LED fault and status indication at controller
- Service tool port for optional setup and diagnostics at unit

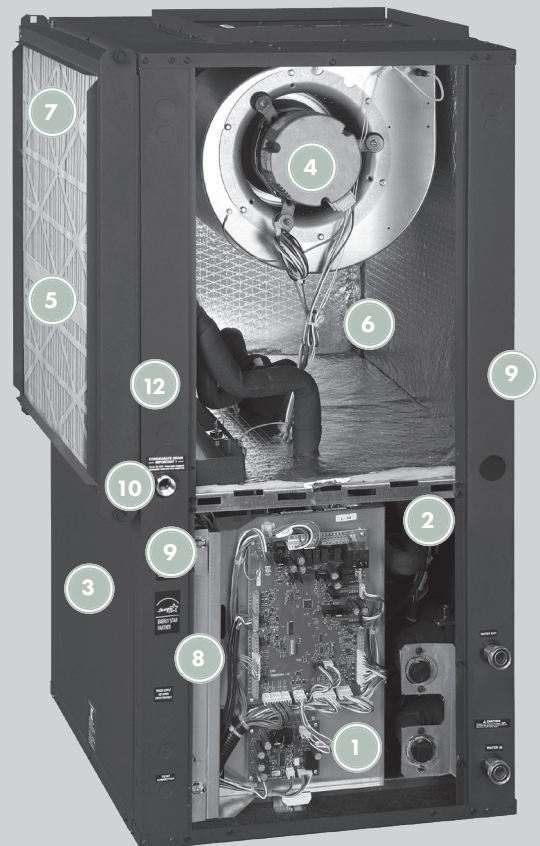
Field Installed Accessories

- iGate Connect Web-Enabled Communicating, Programmable Thermostat (AWC99**)
- iGate ClimaZone™ Zoning Panel
- Auxiliary Electric Heater
- Earthpure Polarized Media Electric Air Cleaner
- Unit Vibration Isolation Pad
- Unit Stand
- Secondary Drain Pan (Horizontal Units)
- Service tool/cable/software kit (ASVCT00L01).

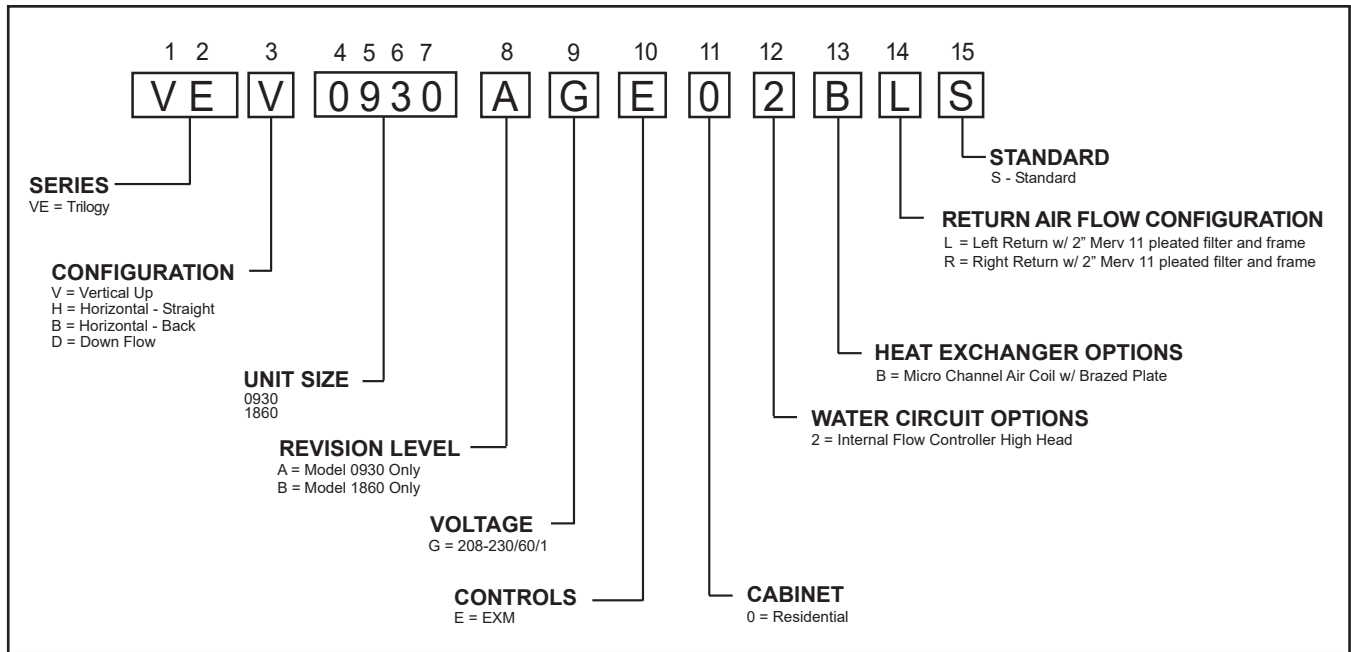
Warranty

- ClimateMaster residential class heat pumps are backed by a ten-year limited warranty on all unit parts, including the following accessories when installed with ClimateMaster units: Flow Controllers, Thermostats & Electric Heaters.
- ClimateMaster goes even further to back up its commitment to quality by including a service labor allowance for the first five years on unit parts and thermostats, auxiliary electric heaters and geothermal pumping modules.
- The Optional Extended Factory Service Labor Allowance Warranty offers additional length of term protection to the consumer by offsetting service labor costs for 10 years.

- 1 Exclusive iGate Two-Way Communicating Control to configure, monitor and diagnose AT THERMOSTAT/PC SERVICE TOOL
- 2 vFlow Internal Variable Water Flow System with Variable Speed Internal Flow Center for optimized efficiency and reliability
- 3 Mitsubishi Variable Speed Compressor with dual-level isolation for ultra-quiet and high-efficiency operation
- 4 Emerson UltraTech Variable-Speed Communicating Fan Motor with soft start and constant CFM control
- 5 Microchannel Aluminum Air Coils to resist formicary corrosion
- 6 Foil-Faced Insulation in the blower section and fully insulated compressor section conform to ASHRAE 62 specifications
- 7 Two-inch high-efficiency MERV 11 Filter (standard) or EarthPure Air Cleaner for high quality indoor air
- 8 Two-Section Swing-out Control Box design provides wide-open service access
- 9 Heavy Gauge Galvanized Steel Cabinet is epoxy powder-coated in a durable and attractive black matte finish with stainless steel front access panels
- 10 Designed for External P-trap to eliminate internal drain-line cleanouts



Unit Model Key



NOTE: Above model nomenclature is a general reference. Consult individual specification sections for detailed information.

AHRI/ISO/ASHRAE 13256-1

AHRI/ISO/ASHRAE 13256-1

Model	Capacity Modulation	Water Loop Heat Pump				Ground Loop Heat Pump			
		Cooling 86°F		Heating 68°F		Cooling Full Load 77°F Part Load 68°F		Heating Full Load 32°F Part Load 41°F	
		Capacity Btuh	EER Btuh/W	Capacity Btuh	COP	Capacity Btuh	EER Btuh/W	Capacity Btuh	COP
VE0930	Part 1	9,000	24.1	12,000	8.7	9,000	43.2	12,000	5.1
	Full	24,000	19.3	30,000	6.6	24,000	24.3	30,000	3.6
VE1860	Part 1	18,000	25.2	24,000	8.6	18,000	45.1	24,000	5.1
	Full	48,000	17.3	60,000	5.5	48,000	21.6	60,000	3.3

Tested in Accordance with ISO 13265-1
 Ground Loop Heat Pump ratings based on 15% methanol antifreeze solution
 All ratings based upon operation at lower voltage of dual voltage rated models

About AHRI/ISO/ASHRAE 13256-1

AHRI/ASHRAE/ISO 13256-1 (Air-Conditioning and Refrigeration Institute/American Society of Heating, Refrigerating and Air Conditioning Engineers/International Standards Organization) is a certification standard for water-source heat pumps used in the following applications:

- WLHP (Water Loop Heat Pump – Boiler/Tower)
- GLHP (Ground Loop Heat Pump – Geothermal)

The directory at <http://www.ahrinet.org/> is constantly being updated and immediately available on the Internet.

Water and air temperatures used in AHRI certification standards are shown below.

Test Condition Comparison Table

	WLHP	GLHP
Cooling		
Entering Air Temperature - DB/WB °F [°C]	80.6/66.2 [27/19]	80.6/66.2 [27/19]
Entering Water Temperature - °F [°C]	86 [30]	77 [25]
Fluid Flow Rate	*	*
Heating		
Entering Air Temperature - DB/WB °F [°C]	68 [20]	68 [20]
Entering Water Temperature - °F [°C]	68 [20]	32 [0]
Fluid Flow Rate	*	*

*Flow rate is specified by the manufacturer

Data certified by AHRI include heating/cooling capacities, EER (Energy Efficiency Ratio – Btuh per Watt) and COP (Btuh per Btuh) at the various conditions shown above. Pump power correction is calculated to adjust efficiencies for pumping Watts. Fan power is corrected to zero external static pressure using the equation below. The nominal airflow is rated at a specific external static pressure.

• Fan Power Correction = (cfm × 0.472) × (esp × 249)/300

Capacities and efficiencies are calculated using the following equations:

- ISO Cooling Capacity = Cooling Capacity (Btuh) + [Fan Power Correction (Watts) × 3.412]
- ISO EER Efficiency (Btuh/W) =
 ISO Cooling Capacity (Btuh)/[Power Input (Watts) – Fan Power Correction (Watts) + Pump Power Correction (Watts)]
- ISO Heating Capacity = Heating Capacity (Btuh) – [Fan Power Correction (Watts) × 3.412]
- ISO COP Efficiency (Btuh/Btuh) =
 ISO Heating Capacity (Btuh) × 3.412/[Power Input (Watts) - Fan Power Correction (Watts) + Pump Power Correction (Watts)]

Reference Calculations & Legend

Heating	Cooling	
$LWT = EWT - \frac{HE}{GPM \times 500}$	$LWT = EWT + \frac{HR}{GPM \times 500}$	$LC = TC - SC$
$LAT = EAT + \frac{HC}{CFM \times 1.08}$	$LAT (DB) = EAT (DB) - \frac{SC}{CFM \times 1.08}$	$S/T = \frac{SC}{TC}$

CFM/T = airflow, cubic feet/minute per ton	COP = Coefficient of Performance = BTU output/BTU input
EWT = entering water temperature, °F	LWT = leaving water temperature, °F
GPM = water flow in US gallons/minute	LAT = leaving air temperature, °F
EAT = entering air temperature, Fahrenheit (dry bulb/wet bulb)	LC = latent cooling capacity, Mbtuh
HC = heating capacity, Mbtuh	S/T = sensible to total cooling ratio
TC = total cooling capacity, Mbtuh	EWTS = entering water temperature (source)
SC = sensible cooling capacity, Mbtuh	EWTL = entering water temperature (load)
KW = total power unit input, KiloWatts	DTS = temperature difference (source)
HR = total heat of rejection, Mbtuh	DTL = temperature difference (load)
DT = temperature difference	LWTS = leaving water temperature (source)
HZ = hertz	LWTL = leaving water temperature (load)
HE = total heat of extraction, Mbtuh	
WPD = Water coil pressure drop (ft hd)	
EER = Energy Efficiency Ratio = BTU output/Watt input	

Entering Air Correction Factors

Cooling													
Entering Air WB°F	Total Capacity	Sensible Cooling Capacity Multiplier - Entering DB °F										Power	Heat of Rejection
		65	70	75	80	80.6	85	90	95	100	100		
50	0.734	1.046	*	*	*	*	*	*	*	*	1.017	0.770	0.853
55	0.811	0.871	1.062	1.240	*	*	*	*	*	*	1.017	0.837	0.896
60	0.890	0.666	0.876	1.073	1.257	*	*	*	*	*	1.013	0.906	0.932
65	0.957		0.660	0.876	1.079	1.103	1.269	*	*	*	1.008	0.963	0.979
66.2	0.989		0.604	0.825	1.032	1.056	1.227	*	*	*	1.002	0.990	0.991
67	1.000		0.566	0.789	1.000	1.024	1.197	1.381	*	*	1.000	1.000	1.000
70	1.058			0.650	0.872	0.898	1.081	1.276	*	*	0.989	1.052	1.035
75	1.146				0.635	0.663	0.862	1.077	1.278	1.466	0.969	1.166	1.101

* Sensible capacity equals total capacity.

Heating			
Entering Air DB°F	Heating Capacity	Power	Heat of Extraction
50	1.052	0.806	1.114
55	1.042	0.852	1.090
60	1.030	0.901	1.063
65	1.016	0.951	1.032
70	1.000	1.000	1.000
75	0.983	1.046	0.967
80	0.966	1.087	0.935

AHRI/ISO/ASHRAE 13256-1 uses entering air conditions of Cooling - 80.6°F DB/66.2°F WB, and Heating - 68°F DB/59°F WB entering air temperature

Performance Data — Trilogy VE 0930 Heating

EWT °F	DT	CFM/T	HC					KW					HE					COP				
			Compressor Speed %					Compressor Speed %					Compressor Speed %					Compressor Speed %				
			30	40	60	80	100	30	40	60	80	100	30	40	60	80	100	30	40	60	80	100
20	6	300	9.0	12.0	18.0	24.0	27.6	0.98	1.19	1.77	2.52	3.01	5.6	8.0	12.0	15.4	17.3	2.7	3.0	3.0	2.8	2.7
	6	400	9.0	12.0	18.0	24.0	27.5	0.87	1.09	1.66	2.37	2.85	6.0	8.3	12.3	15.9	17.8	3.0	3.2	3.2	3.0	2.8
	6	500	9.0	12.0	18.0	24.0	27.5	0.79	1.00	1.57	2.30	2.81	6.3	8.6	12.7	16.1	17.9	3.3	3.5	3.4	3.1	2.9
30	12	300	9.0	12.0	18.0	24.0	29.3	0.95	1.13	1.68	2.38	3.07	5.8	8.1	12.3	15.9	18.8	2.8	3.1	3.1	2.9	2.8
	12	400	9.0	12.0	18.0	24.0	29.5	0.81	1.02	1.55	2.21	2.94	6.2	8.5	12.7	16.5	19.5	3.2	3.4	3.4	3.2	2.9
	12	500	9.0	12.0	18.0	24.0	29.6	0.75	0.94	1.46	2.15	2.92	6.5	8.8	13.0	16.7	19.6	3.5	3.8	3.6	3.3	3.0
	6	300	9.0	12.0	18.0	24.0	30.0	0.89	1.06	1.55	2.19	2.90	6.0	8.4	12.7	16.5	20.1	3.0	3.3	3.4	3.2	3.0
	6	400	9.0	12.0	18.0	24.0	30.0	0.74	0.93	1.40	1.99	2.71	6.5	8.8	13.2	17.2	20.8	3.5	3.8	3.8	3.5	3.2
	6	500	9.0	12.0	18.0	24.0	30.0	0.68	0.85	1.31	1.93	2.68	6.7	9.1	13.5	17.4	20.8	3.9	4.1	4.0	3.6	3.3
40	12	300	9.0	12.0	18.0	24.0	30.0	0.85	1.00	1.47	2.07	2.73	6.1	8.6	13.0	16.9	20.7	3.1	3.5	3.6	3.4	3.2
	12	400	9.0	12.0	18.0	24.0	30.0	0.70	0.87	1.30	1.86	2.52	6.6	9.0	13.5	17.7	21.4	3.8	4.0	4.0	3.8	3.5
	12	500	9.0	12.0	18.0	24.0	30.0	0.64	0.79	1.23	1.80	2.50	6.8	9.3	13.8	17.8	21.5	4.1	4.4	4.3	3.9	3.5
	6	300	9.0	12.0	18.0	24.0	30.0	0.79	0.93	1.35	1.90	2.48	6.3	8.8	13.4	17.5	21.5	3.3	3.8	3.9	3.7	3.5
	6	400	9.0	12.0	18.0	24.0	30.0	0.65	0.80	1.18	1.68	2.27	6.8	9.3	14.0	18.3	22.3	4.1	4.4	4.5	4.2	3.9
	6	500	9.0	12.0	18.0	24.0	30.0	0.59	0.72	1.11	1.63	2.25	7.0	9.5	14.2	18.5	22.3	4.5	4.9	4.8	4.3	3.9
50	13	300	9.0	12.0	18.0	24.0	30.0	0.76	0.89	1.29	1.81	2.37	6.4	9.0	13.6	17.8	21.9	3.5	3.9	4.1	3.9	3.7
	13	400	9.0	12.0	18.0	24.0	30.0	0.62	0.76	1.12	1.59	2.15	6.9	9.4	14.2	18.6	22.6	4.2	4.6	4.7	4.4	4.1
	13	500	9.0	12.0	18.0	24.0	30.0	0.56	0.69	1.05	1.54	2.14	7.1	9.7	14.4	18.7	22.7	4.7	5.1	5.0	4.6	4.1
	7	300	9.0	12.0	18.0	24.0	30.0	0.70	0.82	1.18	1.65	2.15	6.6	9.2	14.0	18.4	22.7	3.7	4.3	4.5	4.3	4.1
	7	400	9.0	12.0	18.0	24.0	30.0	0.58	0.70	1.02	1.44	1.94	7.0	9.6	14.5	19.1	23.4	4.6	5.0	5.2	4.9	4.5
	7	500	9.0	12.0	18.0	24.0	30.0	0.52	0.63	0.95	1.39	1.92	7.2	9.9	14.8	19.2	23.4	5.1	5.6	5.5	5.1	4.6
60	13	300	9.0	12.0	18.0	24.0	30.0	0.67	0.77	1.12	1.56	2.01	6.7	9.4	14.2	18.7	23.2	4.0	4.5	4.7	4.5	4.4
	13	400	9.0	12.0	18.0	24.0	30.0	0.55	0.66	0.96	1.35	1.81	7.1	9.7	14.7	19.4	23.8	4.8	5.3	5.5	5.2	4.9
	13	500	9.0	12.0	18.0	24.0	30.0	0.49	0.59	0.89	1.30	1.79	7.3	10.0	15.0	19.6	23.9	5.4	6.0	5.9	5.4	4.9
	7	300	9.0	12.0	18.0	24.0	30.0	0.61	0.71	1.02	1.42	1.81	6.9	9.6	14.5	19.2	23.8	4.3	5.0	5.2	5.0	4.8
	7	400	9.0	12.0	18.0	24.0	30.0	0.50	0.61	0.87	1.22	1.63	7.3	9.9	15.0	19.8	24.4	5.2	5.8	6.0	5.8	5.4
	7	500	9.0	12.0	18.0	24.0	30.0	0.44	0.54	0.81	1.18	1.62	7.5	10.2	15.2	20.0	24.5	5.9	6.5	6.5	6.0	5.4
70	13	300	9.0	12.0	18.0	24.0	30.0	0.58	0.67	0.96	1.33	1.70	7.0	9.7	14.7	19.5	24.2	4.6	5.3	5.5	5.3	5.2
	13	400	9.0	12.0	18.0	24.0	30.0	0.48	0.57	0.82	1.14	1.52	7.4	10.0	15.2	20.1	24.8	5.5	6.1	6.4	6.2	5.8
	13	500	9.0	12.0	18.0	24.0	30.0	0.42	0.50	0.76	1.10	1.51	7.6	10.3	15.4	20.2	24.9	6.3	7.0	6.9	6.4	5.8
	7	300	9.0	12.0	18.0	24.0	30.0	0.53	0.61	0.88	1.22	1.53	7.2	9.9	15.0	19.8	24.8	5.0	5.8	6.0	5.8	5.7
	7	400	9.0	12.0	18.0	24.0	30.0	0.43	0.52	0.75	1.04	1.38	7.5	10.2	15.4	20.5	25.3	6.1	6.7	7.0	6.8	6.4
	7	500	9.3	12.0	18.0	24.0	30.0	0.38	0.46	0.69	1.00	1.36	8.0	10.4	15.6	20.6	25.4	7.1	7.7	7.6	7.0	6.5
80	13	300	9.0	12.0	18.0	24.0	30.0	0.49	0.58	0.84	1.15	1.43	7.3	10.0	15.1	20.1	25.1	5.3	6.1	6.3	6.1	6.1
	13	400	9.4	12.0	18.0	24.0	30.0	0.41	0.49	0.71	0.98	1.29	8.0	10.3	15.6	20.7	25.6	6.6	7.2	7.5	7.2	6.8
	13	500	9.9	12.0	18.0	24.0	30.0	0.37	0.43	0.65	0.94	1.27	8.6	10.5	15.8	20.8	25.6	7.9	8.3	8.1	7.5	6.9
	7	300	9.4	12.0	18.0	24.0	30.0	0.46	0.53	0.77	1.06	1.30	7.9	10.2	15.4	20.4	25.6	6.0	6.6	6.8	6.6	6.7
	7	400	10.0	12.0	18.0	24.0	30.0	0.38	0.44	0.64	0.89	1.17	8.7	10.5	15.8	21.0	26.0	7.7	8.0	8.2	7.9	7.5
	7	500	10.7	12.0	18.0	24.0	30.0	0.34	0.38	0.59	0.86	1.16	9.5	10.7	16.0	21.1	26.1	9.2	9.3	8.9	8.2	7.6
90	13	300	9.8	12.0	18.0	24.0	30.0	0.44	0.50	0.74	1.01	1.23	8.2	10.3	15.5	20.6	25.8	6.5	7.0	7.1	7.0	7.2
	13	400	10.4	12.0	18.0	24.0	30.0	0.36	0.40	0.60	0.84	1.09	9.2	10.6	15.9	21.1	26.3	8.5	8.7	8.7	8.4	8.0
	13	500	11.2	12.0	18.0	24.0	30.0	0.32	0.35	0.55	0.81	1.09	10.1	10.8	16.1	21.2	26.3	10.2	10.2	9.5	8.7	8.1
	7	300	10.1	12.0	18.0	24.0	30.0	0.42	0.47	0.70	0.95	1.13	8.7	10.4	15.6	20.8	26.1	7.1	7.5	7.6	7.4	7.8
	7	400	10.9	12.0	18.0	24.0	30.0	0.32	0.35	0.54	0.76	1.00	9.8	10.8	16.1	21.4	26.6	10.1	10.1	9.7	9.2	8.8
	7	500	11.9	12.0	18.0	24.0	30.0	0.29	0.29	0.50	0.74	0.99	10.9	11.0	16.3	21.5	26.6	12.0	12.0	10.5	9.5	8.9
100	17	300	10.3	12.0	18.0	24.0	30.0	0.42	0.47	0.70	0.95	1.13	8.9	10.4	15.6	20.8	26.1	7.2	7.5	7.6	7.4	7.8
	17	400	11.2	12.0	18.0	24.0	30.0	0.33	0.35	0.54	0.76	1.00	10.1	10.8	16.1	21.4	26.6	10.1	10.1	9.7	9.2	8.8
	17	500	12.3	12.0	18.0	24.0	30.0	0.30	0.29	0.50	0.74	0.99	11.2	11.0	16.3	21.5	26.6	11.9	12.0	10.5	9.5	8.9
	17	300	10.1	12.0	18.0	24.0	30.0	0.42	0.47	0.70	0.95	1.13	8.7	10.4	15.6	20.8	26.1	7.1	7.5	7.6	7.4	7.8
	17	400	10.9	12.0	18.0	24.0	30.0	0.32	0.35	0.54	0.76	1.00	9.8	10.8	16.1	21.4	26.6	10.1	10.1	9.7	9.2	8.8
	17	500	11.9	12.0	18.0	24.0	30.0	0.29	0.29	0.50	0.74	0.99	10.9	11.0	16.3	21.5	26.6	12.0	12.0	10.5	9.5	8.9
110	27	300	10.3	12.0	18.0	24.0	30.0	0.42	0.47	0.70	0.95	1.13	8.9	10.4	15.6	20.8	26.1	7.2	7.5	7.6	7.4	7.8
	27	400	11.2	12.0	18.0	24.0	30.0	0.33	0.35	0.54	0.76	1.00	10.1	10.8	16.1	21.4	26.6	10.1	10.1	9.7	9.2	8.8
	27	500	12.3	12.0	18.0	24.0	30.0	0.30	0.29	0.50	0.74	0.99	11.2	11.0	16.3	21.5	26.6	11.9	12.0	10.5	9.5	8.9
	27	300	10.1	12.0	18.0	24.0	30.0	0.42	0.47	0.70	0.95	1.13	8.7	10.4	15.6	20.8	26.1	7.1	7.5	7.6	7.4	7.8
	27	400	10.9	12.0	18.0	24.0	30.0	0.32	0.35	0.54	0.76	1.00	9.8	10.8	16.1	21.4	26.6	10.1	10.1	9.7	9.2	8.8
	27	500	11.9	12.0	18.0	24.0	30.0	0.29	0.29	0.50	0.74	0.99	10.9	11.0	16.3	21.5	26.6	12.0	12.0	10.5	9.5	8.9
120	37	300	10.3	12.0	18.0	24.0	30.0	0.42	0.47	0.70	0.95	1.13	8.9	10.4	15.6	20.8	26.1	7.2	7.5	7.6	7.4	7.8
	37	400	11.2	12.0	18.0	24.0	30.0	0.33	0.35	0.54	0.76	1.00	10.1	10.8	16.1	21.						

Performance Data — Trilogy VE 0930 Heating

EWT °F	HZ					LWT(°F)					GPM					WPD(ft. of hd)				
	Compressor Speed %					Compressor Speed %					Compressor Speed %					Compressor Speed %				
	30	40	60	80	100	30	40	60	80	100	30	40	60	80	100	30	40	60	80	100
20	57	71	95	116	130	14.0	14.0	14.0	14.0	14.0	1.9	2.7	4.0	5.1	5.8	*	*	1.7	2.9	3.7
	55	69	94	118	130	14.0	14.0	14.0	14.0	14.0	2.0	2.8	4.1	5.3	5.9	*	*	1.8	3.1	3.9
	54	67	93	117	130	14.0	14.0	14.0	14.0	14.0	2.1	2.9	4.2	5.4	6.0	*	*	1.9	3.2	4.0
30	54	67	90	110	130	18.0	18.0	18.0	18.0	18.0	1.0	1.4	2.0	2.6	3.1	*	*	*	*	*
	52	64	89	111	130	18.0	18.0	18.0	18.0	18.0	1.0	1.4	2.1	2.7	3.3	*	*	*	*	1.0
	50	63	87	111	130	18.0	18.0	18.0	18.0	18.0	1.1	1.5	2.2	2.8	3.3	*	*	*	*	1.0
	49	62	83	102	123	24.0	24.0	24.0	24.0	24.0	2.0	2.8	4.2	5.5	6.7	*	*	1.8	3.2	4.8
	47	59	82	103	121	24.0	24.0	24.0	24.0	24.0	2.2	2.9	4.4	5.7	6.9	*	*	1.9	3.5	5.2
	45	57	80	102	121	24.0	24.0	24.0	24.0	24.0	2.2	3.0	4.5	5.8	6.9	*	*	2.0	3.6	5.2
40	46	58	79	97	117	28.0	28.0	28.0	28.0	28.0	1.0	1.4	2.2	2.8	3.5	*	*	*	*	1.0
	44	55	77	97	115	28.0	28.0	28.0	28.0	28.0	1.1	1.5	2.3	2.9	3.6	*	*	*	*	1.1
	42	53	75	96	114	28.0	28.0	28.0	28.0	28.0	1.1	1.5	2.3	3.0	3.6	*	*	*	*	1.1
	42	53	72	89	109	34.0	34.0	34.0	34.0	34.0	2.1	2.9	4.5	5.8	7.2	*	*	1.9	3.5	5.4
	39	50	71	89	106	34.0	34.0	34.0	34.0	34.0	2.3	3.1	4.7	6.1	7.4	*	*	2.1	3.8	5.8
	38	48	69	88	105	34.0	34.0	34.0	34.0	34.0	2.3	3.2	4.7	6.2	7.4	*	*	2.2	3.9	5.8
50	40	51	69	86	105	37.0	37.0	37.0	37.0	37.0	1.0	1.4	2.1	2.7	3.4	*	*	*	*	*
	37	48	68	86	102	37.0	37.0	37.0	37.0	37.0	1.1	1.4	2.2	2.9	3.5	*	*	*	*	1.0
	36	46	66	85	101	37.0	37.0	37.0	37.0	37.0	1.1	1.5	2.2	2.9	3.5	*	*	*	*	1.0
	36	47	64	79	97	43.0	43.0	43.0	43.0	43.0	1.9	2.6	4.0	5.2	6.5	*	*	1.4	2.7	4.3
	34	44	62	79	94	43.0	43.0	43.0	43.0	43.0	2.0	2.7	4.1	5.5	6.7	*	*	1.5	2.9	4.6
	33	42	61	78	93	43.0	43.0	43.0	43.0	43.0	2.1	2.8	4.2	5.5	6.7	*	*	1.6	3.0	4.6
60	34	44	61	75	93	47.0	47.0	47.0	47.0	47.0	1.0	1.4	2.2	2.9	3.6	*	*	*	*	1.0
	32	41	59	75	90	47.0	47.0	47.0	47.0	47.0	1.1	1.5	2.3	3.0	3.7	*	*	*	*	1.1
	31	40	57	74	88	47.0	47.0	47.0	47.0	47.0	1.1	1.5	2.3	3.0	3.7	*	*	*	*	1.1
	31	41	56	70	86	53.0	53.0	53.0	53.0	53.0	2.0	2.7	4.1	5.5	6.8	*	*	1.5	2.9	4.7
	29	38	54	70	83	53.0	53.0	53.0	53.0	53.0	2.1	2.8	4.3	5.7	7.0	*	*	1.6	3.2	5.0
	28	36	53	68	81	53.0	53.0	53.0	53.0	53.0	2.1	2.9	4.4	5.7	7.0	*	*	1.7	3.2	5.0
70	29	39	53	66	82	57.0	57.0	57.0	57.0	57.0	1.1	1.5	2.3	3.0	3.7	*	*	*	*	1.1
	27	36	51	66	79	57.0	57.0	57.0	57.0	57.0	1.1	1.5	2.3	3.1	3.8	*	*	*	*	1.2
	27	34	50	65	77	57.0	57.0	57.0	57.0	57.0	1.2	1.6	2.4	3.1	3.8	*	*	*	*	1.2
	27	36	50	62	76	63.0	63.0	63.0	63.0	63.0	2.1	2.8	4.3	5.7	7.1	*	*	1.6	3.2	5.1
	25	33	48	62	74	63.0	63.0	63.0	63.0	63.0	2.1	2.9	4.4	5.8	7.2	*	*	1.8	3.4	5.3
	25	32	46	60	72	63.0	63.0	63.0	63.0	63.0	2.3	3.0	4.5	5.9	7.2	*	*	1.8	3.4	5.3
80	25	34	47	59	73	67.0	67.0	67.0	67.0	67.0	1.1	1.5	2.3	3.1	3.9	*	*	*	*	1.3
	25	31	46	59	70	67.0	67.0	67.0	67.0	67.0	1.2	1.6	2.4	3.2	3.9	*	*	*	*	1.3
	25	30	44	57	68	67.0	67.0	67.0	67.0	67.0	1.3	1.6	2.4	3.2	3.9	*	*	*	*	1.3
	25	32	45	55	69	73.0	73.0	73.0	73.0	73.0	2.3	2.9	4.4	5.8	7.3	*	*	1.8	3.4	5.4
	25	29	43	55	66	73.0	73.0	73.0	73.0	73.0	2.5	3.0	4.5	6.0	7.4	*	*	1.9	3.6	5.6
	25	28	41	54	64	73.0	73.0	73.0	73.0	73.0	2.7	3.1	4.6	6.0	7.4	*	*	1.9	3.6	5.6
90	25	31	43	53	66	77.0	77.0	77.0	77.0	77.0	1.3	1.6	2.4	3.2	4.0	*	*	*	*	1.4
	25	28	41	53	64	77.0	77.0	77.0	77.0	77.0	1.4	1.6	2.5	3.3	4.0	*	*	*	*	1.4
	26	27	40	52	62	77.0	77.0	77.0	77.0	77.0	1.6	1.7	2.5	3.3	4.0	*	*	*	*	1.4
	25	30	41	50	63	83.0	83.0	83.0	83.0	83.0	2.5	3.0	4.5	5.9	7.5	*	*	1.9	3.5	5.6
	25	27	39	50	61	83.0	83.0	83.0	83.0	83.0	2.8	3.1	4.6	6.1	7.6	*	*	2.0	3.7	5.8
	26	26	38	49	58	83.0	83.0	83.0	83.0	83.0	3.1	3.1	4.7	6.1	7.6	*	*	2.0	3.8	5.8
100	25	30	41	50	63	83.0	83.0	83.0	83.0	83.0	1.0	1.2	1.8	2.4	3.1	*	*	*	*	*
	26	27	39	50	61	83.0	83.0	83.0	83.0	83.0	1.2	1.3	1.9	2.5	3.1	*	*	*	*	*
	26	26	38	49	58	83.0	83.0	83.0	83.0	83.0	1.3	1.3	1.9	2.5	3.1	*	*	*	*	*
	25	30	41	50	63	83.0	83.0	83.0	83.0	83.0	1.0	1.2	1.8	2.4	3.1	*	*	*	*	*
	25	27	39	50	61	83.0	83.0	83.0	83.0	83.0	1.2	1.3	1.9	2.5	3.1	*	*	*	*	*
	26	26	38	49	58	83.0	83.0	83.0	83.0	83.0	1.3	1.3	1.9	2.5	3.1	*	*	*	*	*
110	25	30	41	50	63	83.0	83.0	83.0	83.0	83.0	0.7	0.8	1.2	1.5	1.9	*	*	*	*	*
	26	27	39	50	61	83.0	83.0	83.0	83.0	83.0	0.7	0.8	1.2	1.6	2.0	*	*	*	*	*
	26	26	38	49	58	83.0	83.0	83.0	83.0	83.0	0.8	0.8	1.2	1.6	2.0	*	*	*	*	*
	25	30	41	50	63	83.0	83.0	83.0	83.0	83.0	0.6	0.8	1.2	1.5	1.9	*	*	*	*	*
	25	27	39	50	61	83.0	83.0	83.0	83.0	83.0	0.7	0.8	1.2	1.6	2.0	*	*	*	*	*
	26	26	38	49	58	83.0	83.0	83.0	83.0	83.0	0.8	0.8	1.2	1.6	2.0	*	*	*	*	*
120	25	30	41	50	63	83.0	83.0	83.0	83.0	83.0	0.5	0.6	0.8	1.1	1.4	*	*	*	*	*
	26	27	39	50	61	83.0	83.0	83.0	83.0	83.0	0.5	0.6	0.9	1.2	1.4	*	*	*	*	*
	26	26	38	49	58	83.0	83.0	83.0	83.0	83.0	0.6	0.6	0.9	1.2	1.4	*	*	*	*	*
	25	30	41	50	63	83.0	83.0	83.0	83.0	83.0	0.5	0.6	0.8	1.1	1.4	*	*	*	*	*
	25	27	39	50	61	83.0	83.0	83.0	83.0	83.0	0.5	0.6	0.9	1.2	1.4	*	*	*	*	*
	26	26	38	49	58	83.0	83.0	83.0	83.0	83.0	0.6	0.6	0.9	1.2	1.4	*	*	*	*	*

* pressure drop is less than 1 ft
 Interpolation is permissible, extrapolation is not.
 Table does not include fan or pump power corrections for AHRI/ISO conditions.

Above performance is based on 70°F db entering air condition.
 Above data is based on 15% methanol.

Performance Data — Trilogy VE 0930 Cooling

EWT °F	DT	CFM/T	TC					SC					S/T					kW					HR				
			Compressor Speed %					Compressor Speed %					Compressor Speed %					Compressor Speed %					Compressor Speed %				
			30	40	60	80	100	30	40	60	80	100	30	40	60	80	100	30	40	60	80	100	30	40	60	80	100
20	45	300	9.0	12.0	18.0	24.0	30.0	5.7	7.9	11.8	15.6	19.9	0.64	0.66	0.66	0.65	0.66	0.17	0.23	0.40	0.63	0.97	9.6	12.8	19.4	26.2	33.3
	45	400	10.0	12.0	18.0	24.0	30.0	7.5	9.0	13.4	17.7	21.3	0.75	0.75	0.75	0.74	0.71	0.15	0.19	0.35	0.60	0.96	10.5	12.7	19.2	26.1	33.3
	45	500	10.6	12.0	18.0	24.0	30.0	9.0	10.3	14.6	17.8	22.3	0.85	0.86	0.81	0.74	0.74	0.15	0.18	0.41	0.71	1.05	11.1	12.6	19.4	26.4	33.6
30	40	300	9.0	12.0	18.0	24.0	30.0	5.8	8.0	11.9	15.6	20.0	0.64	0.67	0.66	0.65	0.67	0.22	0.28	0.46	0.71	1.07	9.7	13.0	19.6	26.4	33.7
	40	400	9.6	12.0	18.0	24.0	30.0	7.2	9.0	13.5	17.8	21.6	0.75	0.75	0.75	0.74	0.72	0.20	0.24	0.41	0.67	1.05	10.3	12.8	19.4	26.3	33.6
	40	500	10.6	12.0	18.0	24.0	30.0	9.3	10.7	15.0	18.4	23.1	0.88	0.89	0.83	0.77	0.77	0.18	0.21	0.44	0.75	1.11	11.2	12.7	19.5	26.6	33.8
	35	300	9.0	12.0	18.0	24.0	30.0	5.7	7.9	11.8	15.6	19.9	0.64	0.66	0.66	0.65	0.66	0.17	0.23	0.40	0.63	0.97	9.6	12.8	19.4	26.2	33.3
	35	400	10.0	12.0	18.0	24.0	30.0	7.5	9.0	13.4	17.7	21.3	0.75	0.75	0.75	0.74	0.71	0.15	0.19	0.35	0.60	0.96	10.5	12.7	19.2	26.1	33.3
40	35	500	10.6	12.0	18.0	24.0	30.0	9.0	10.3	14.6	17.8	22.3	0.85	0.86	0.81	0.74	0.74	0.15	0.18	0.41	0.71	1.05	11.1	12.6	19.4	26.4	33.6
	30	300	9.0	12.0	18.0	24.0	30.0	5.8	8.0	11.9	15.6	20.0	0.64	0.67	0.66	0.65	0.67	0.22	0.28	0.46	0.71	1.07	9.7	13.0	19.6	26.4	33.7
	30	400	9.6	12.0	18.0	24.0	30.0	7.2	9.0	13.5	17.8	21.6	0.75	0.75	0.75	0.74	0.72	0.20	0.24	0.41	0.67	1.05	10.3	12.8	19.4	26.3	33.6
	30	500	10.6	12.0	18.0	24.0	30.0	9.3	10.7	15.0	18.4	23.1	0.88	0.89	0.83	0.77	0.77	0.18	0.21	0.44	0.75	1.11	11.2	12.7	19.5	26.6	33.8
	25	300	9.0	12.0	18.0	24.0	30.0	5.7	7.9	11.8	15.6	19.9	0.64	0.66	0.66	0.65	0.66	0.17	0.23	0.40	0.63	0.97	9.6	12.8	19.4	26.2	33.3
50	25	400	10.0	12.0	18.0	24.0	30.0	7.5	9.0	13.4	17.7	21.3	0.75	0.75	0.75	0.74	0.71	0.15	0.19	0.35	0.60	0.96	10.5	12.7	19.2	26.1	33.3
	25	500	10.6	12.0	18.0	24.0	30.0	9.0	10.3	14.6	17.8	22.3	0.85	0.86	0.81	0.74	0.74	0.15	0.18	0.41	0.71	1.05	11.1	12.6	19.4	26.4	33.6
	20	300	9.0	12.0	18.0	24.0	30.0	5.8	8.0	11.9	15.6	20.0	0.64	0.67	0.66	0.65	0.67	0.22	0.28	0.46	0.71	1.07	9.7	13.0	19.6	26.4	33.7
	20	400	9.6	12.0	18.0	24.0	30.0	7.2	9.0	13.5	17.8	21.6	0.75	0.75	0.75	0.74	0.72	0.20	0.24	0.41	0.67	1.05	10.3	12.8	19.4	26.3	33.6
	20	500	10.6	12.0	18.0	24.0	30.0	9.3	10.7	15.0	18.4	23.1	0.88	0.89	0.83	0.77	0.77	0.18	0.21	0.44	0.75	1.11	11.2	12.7	19.5	26.6	33.8
60	15	300	9.0	12.0	18.0	24.0	30.0	5.7	7.9	11.8	15.6	19.9	0.64	0.66	0.66	0.65	0.66	0.17	0.23	0.40	0.63	0.97	9.6	12.8	19.4	26.2	33.3
	15	400	10.0	12.0	18.0	24.0	30.0	7.5	9.0	13.4	17.7	21.3	0.75	0.75	0.75	0.74	0.71	0.15	0.19	0.35	0.60	0.96	10.5	12.7	19.2	26.1	33.3
	15	500	10.6	12.0	18.0	24.0	30.0	9.0	10.3	14.6	17.8	22.3	0.85	0.86	0.81	0.74	0.74	0.15	0.18	0.41	0.71	1.05	11.1	12.6	19.4	26.4	33.6
	20	300	9.0	12.0	18.0	24.0	30.0	5.9	8.1	11.9	15.7	20.0	0.65	0.67	0.66	0.65	0.67	0.31	0.39	0.60	0.90	1.32	10.1	13.3	20.0	27.1	34.5
	20	400	9.0	12.0	18.0	24.0	30.0	6.8	9.1	13.6	18.0	21.9	0.76	0.75	0.76	0.75	0.73	0.28	0.35	0.54	0.84	1.27	10.0	13.2	19.8	26.9	34.3
70	20	500	10.1	12.0	18.0	24.0	30.0	9.1	11.0	15.5	19.1	24.0	0.90	0.92	0.86	0.79	0.80	0.25	0.29	0.53	0.88	1.31	11.0	13.0	19.8	27.0	34.5
	10	300	9.0	12.0	18.0	24.0	30.0	5.8	8.0	11.9	15.6	20.0	0.64	0.67	0.66	0.65	0.67	0.22	0.28	0.46	0.71	1.07	9.7	13.0	19.6	26.4	33.7
	10	400	9.6	12.0	18.0	24.0	30.0	7.2	9.0	13.5	17.8	21.6	0.75	0.75	0.75	0.74	0.72	0.20	0.24	0.41	0.67	1.05	10.3	12.8	19.4	26.3	33.6
	10	500	10.6	12.0	18.0	24.0	30.0	9.3	10.7	15.0	18.4	23.1	0.88	0.89	0.83	0.77	0.77	0.18	0.21	0.44	0.75	1.11	11.2	12.7	19.5	26.6	33.8
	20	300	9.0	12.0	18.0	24.0	30.0	5.9	8.1	12.0	15.7	20.0	0.66	0.68	0.66	0.65	0.67	0.40	0.51	0.77	1.15	1.66	10.4	13.7	20.6	27.9	35.7
80	20	400	9.0	12.0	18.0	24.0	30.0	6.8	9.0	13.7	18.1	22.1	0.75	0.75	0.76	0.76	0.74	0.37	0.45	0.70	1.06	1.57	10.3	13.5	20.4	27.6	35.4
	20	500	9.0	12.0	18.0	24.0	30.0	7.8	11.0	15.5	19.3	24.5	0.86	0.92	0.86	0.80	0.82	0.33	0.40	0.67	1.09	1.60	10.1	13.4	20.3	27.7	35.5
	10	300	9.0	12.0	18.0	24.0	30.0	5.9	8.1	11.9	15.7	20.0	0.65	0.67	0.66	0.65	0.67	0.31	0.39	0.60	0.90	1.32	10.1	13.3	20.0	27.1	34.5
	10	400	9.0	12.0	18.0	24.0	30.0	6.8	9.1	13.6	18.0	21.9	0.76	0.75	0.76	0.75	0.73	0.28	0.35	0.54	0.84	1.27	10.0	13.2	19.8	26.9	34.3
	10	500	10.1	12.0	18.0	24.0	30.0	9.1	11.0	15.5	19.1	24.0	0.90	0.92	0.86	0.79	0.80	0.25	0.29	0.53	0.88	1.31	11.0	13.0	19.8	27.0	34.5
90	20	300	9.0	12.0	18.0	24.0	30.0	5.9	8.1	12.0	15.7	19.9	0.66	0.68	0.66	0.65	0.66	0.50	0.64	0.99	1.46	2.08	10.7	14.2	21.4	29.0	37.1
	20	400	9.0	12.0	18.0	24.0	30.0	6.7	9.0	13.7	18.2	22.2	0.75	0.75	0.76	0.76	0.74	0.46	0.57	0.89	1.35	1.95	10.6	14.0	21.0	28.6	36.7
	20	500	9.0	12.0	18.0	24.0	30.0	7.5	10.8	15.3	19.2	24.5	0.84	0.90	0.85	0.80	0.82	0.44	0.53	0.86	1.36	1.99	10.5	13.8	20.9	28.6	36.8
	10	300	9.0	12.0	18.0	24.0	30.0	5.9	8.1	12.0	15.7	20.0	0.66	0.68	0.66	0.65	0.67	0.40	0.51	0.77	1.15	1.66	10.4	13.7	20.6	27.9	35.7
	10	400	9.0	12.0	18.0	24.0	30.0	6.8	9.0	13.7	18.1	22.1	0.75	0.75	0.76	0.76	0.74	0.37	0.45	0.70	1.06	1.57	10.3	13.5	20.4	27.6	35.4
100	10	500	9.0	12.0	18.0	24.0	30.0	7.8	11.0	15.5	19.3	24.5	0.86	0.92	0.86	0.80	0.82	0.33	0.40	0.67	1.09	1.60	10.1	13.4	20.3	27.7	35.5
	20	300	9.0	12.0	18.0	24.0	30.0	5.9	8.1	12.0	15.7	20.0	0.66	0.68	0.67	0.65	0.67	0.62	0.80	1.25	1.84	2.59	11.1	14.7	22.3	30.3	38.8
	20	400	9.0	12.0	18.0	24.0	30.0	6.7	9.0	13.6	18.2	22.2	0.75	0.75	0.76	0.76	0.74	0.56	0.72	1.14	1.70	2.43	10.9	14.5	21.9	29.8	38.3
	20	500	9.0	12.0	18.0	24.0	30.0	7.4	10.5	15.0	18.9	24.4	0.82	0.88	0.84	0.79	0.81	0.56	0.68	1.09	1.71	2.47	10.9	14.3	21.7	29.8	38.4
	10	300	9.0	12.0	18.0	24.0	30.0	5.9	8.1	12.0	15.7	19.9	0.66	0.68	0.66	0.65	0.66	0.50	0.64	0.99	1.46	2.08	10.7	14.2	21.4	29.0	37.1
110	10	400	9.0	12.0	18.0	24.0	30.0	6.7	9.0	13.7	18.2	22.2	0.75	0.75	0.76	0.76	0.74	0.46	0.57	0.89	1.35	1.95	10.6	14.0	21.0	28.6	36.7
	10	500	9.0	12.0	18.0	24.0	30.0	7.5	10.8	15.3	19.2	24.5	0.84	0.90	0.85	0.80	0.82	0.44	0.53	0.86	1.36	1.99	10.5	13.8	20.9	28.6	36.8
	20	300	9.0	12.0	18.0	24.0	30.0	5.9	8.1	12.0	15.7	20.0	0.66	0.68	0.67	0.66	0.67	0.76	1.00	1.57	2.30	3.21	11.6	15.4	23.4	31.9	41.0
	20	400	9.0	12.0	18.0	24.0	30.0	6.8	9.1	13.7	18.2	22.3	0.76	0.75	0.76	0.76	0.74	0.70	0.91	1.44	2.14	3.01	11.4				

Performance Data — Trilogy VE 0930 Cooling

EWT °F	EER					Hz					LWT(°F)					GPM					WPD(ft. of hd)				
	Compressor Speed %					Compressor Speed %					Compressor Speed %					Compressor Speed %					Compressor Speed %				
	30	40	60	80	100	30	40	60	80	100	30	40	60	80	100	30	40	60	80	100	30	40	60	80	100
20	53.4	51.5	45.2	37.8	30.9	25	32	50	68	85	65.0	65.0	65.0	65.0	65.0	0.4	0.6	0.9	1.2	1.5	*	*	*	*	*
	64.7	62.3	50.8	39.8	31.3	25	30	46	64	81	65.0	65.0	65.0	65.0	65.0	0.5	0.6	0.9	1.2	1.5	*	*	*	*	*
	72.0	65.8	44.2	33.6	28.6	25	28	45	63	78	65.0	65.0	65.0	65.0	65.0	0.5	0.6	0.9	1.2	1.5	*	*	*	*	*
30	41.2	42.1	39.2	33.7	28.0	25	33	51	69	86	70.0	70.0	70.0	70.0	70.0	0.5	0.6	1.0	1.3	1.7	*	*	*	*	*
	48.1	49.1	43.7	35.7	28.7	25	30	47	64	81	70.0	70.0	70.0	70.0	70.0	0.5	0.6	1.0	1.3	1.7	*	*	*	*	*
	58.9	56.4	41.4	31.9	27.0	25	28	45	63	78	70.0	70.0	70.0	70.0	70.0	0.6	0.6	1.0	1.3	1.7	*	*	*	*	*
	53.4	51.5	45.2	37.8	30.9	25	32	50	68	85	65.0	65.0	65.0	65.0	65.0	0.5	0.7	1.1	1.5	1.9	*	*	*	*	*
	64.7	62.3	50.8	39.8	31.3	25	30	46	64	81	65.0	65.0	65.0	65.0	65.0	0.6	0.7	1.1	1.5	1.9	*	*	*	*	*
	72.0	65.8	44.2	33.6	28.6	25	28	45	63	78	65.0	65.0	65.0	65.0	65.0	0.6	0.7	1.1	1.5	1.9	*	*	*	*	*
40	41.2	42.1	39.2	33.7	28.0	25	33	51	69	86	70.0	70.0	70.0	70.0	70.0	0.6	0.9	1.3	1.8	2.2	*	*	*	*	*
	48.1	49.1	43.7	35.7	28.7	25	30	47	64	81	70.0	70.0	70.0	70.0	70.0	0.7	0.9	1.3	1.8	2.2	*	*	*	*	*
	58.9	56.4	41.4	31.9	27.0	25	28	45	63	78	70.0	70.0	70.0	70.0	70.0	0.7	0.8	1.3	1.8	2.3	*	*	*	*	*
	53.4	51.5	45.2	37.8	30.9	25	32	50	68	85	65.0	65.0	65.0	65.0	65.0	0.8	1.0	1.5	2.1	2.7	*	*	*	*	*
	64.7	62.3	50.8	39.8	31.3	25	30	46	64	81	65.0	65.0	65.0	65.0	65.0	0.8	1.0	1.5	2.1	2.7	*	*	*	*	*
	72.0	65.8	44.2	33.6	28.6	25	28	45	63	78	65.0	65.0	65.0	65.0	65.0	0.9	1.0	1.6	2.1	2.7	*	*	*	*	*
50	41.2	42.1	39.2	33.7	28.0	25	33	51	69	86	70.0	70.0	70.0	70.0	70.0	1.0	1.3	2.0	2.6	3.4	*	*	*	*	*
	48.1	49.1	43.7	35.7	28.7	25	30	47	64	81	70.0	70.0	70.0	70.0	70.0	1.0	1.3	1.9	2.6	3.4	*	*	*	*	*
	58.9	56.4	41.4	31.9	27.0	25	28	45	63	78	70.0	70.0	70.0	70.0	70.0	1.1	1.3	1.9	2.7	3.4	*	*	*	*	*
	53.4	51.5	45.2	37.8	30.9	25	32	50	68	85	65.0	65.0	65.0	65.0	65.0	1.3	1.7	2.6	3.5	4.4	*	*	*	*	1.8
	64.7	62.3	50.8	39.8	31.3	25	30	46	64	81	65.0	65.0	65.0	65.0	65.0	1.4	1.7	2.6	3.5	4.4	*	*	*	*	1.8
	72.0	65.8	44.2	33.6	28.6	25	28	45	63	78	65.0	65.0	65.0	65.0	65.0	1.5	1.7	2.6	3.5	4.5	*	*	*	1.0	1.8
60	28.9	30.8	30.1	26.6	22.7	27	35	54	73	90	80.0	80.0	80.0	80.0	80.0	1.0	1.3	2.0	2.7	3.5	*	*	*	*	1.0
	31.9	34.8	33.3	28.5	23.6	25	32	49	67	83	80.0	80.0	80.0	80.0	80.0	1.0	1.3	2.0	2.7	3.4	*	*	*	*	1.0
	40.2	41.0	34.1	27.2	23.0	25	29	46	64	79	80.0	80.0	80.0	80.0	80.0	1.1	1.3	2.0	2.7	3.4	*	*	*	*	1.0
	41.2	42.1	39.2	33.7	28.0	25	33	51	69	86	70.0	70.0	70.0	70.0	70.0	1.9	2.6	3.9	5.3	6.7	*	*	1.3	2.7	4.6
	48.1	49.1	43.7	35.7	28.7	25	30	47	64	81	70.0	70.0	70.0	70.0	70.0	2.1	2.6	3.9	5.3	6.7	*	*	1.3	2.7	4.6
	58.9	56.4	41.4	31.9	27.0	25	28	45	63	78	70.0	70.0	70.0	70.0	70.0	2.2	2.5	3.9	5.3	6.8	*	*	1.3	2.7	4.6
70	22.3	23.8	23.3	20.9	18.1	27	38	58	77	95	90.0	90.0	90.0	90.0	90.0	1.0	1.4	2.1	2.8	3.6	*	*	*	*	1.1
	24.5	26.6	25.8	22.5	19.1	30	35	52	70	87	90.0	90.0	90.0	90.0	90.0	1.0	1.4	2.0	2.8	3.5	*	*	*	*	1.1
	27.1	30.3	26.9	22.1	18.8	25	32	49	67	84	90.0	90.0	90.0	90.0	90.0	1.0	1.3	2.0	2.8	3.5	*	*	*	*	1.1
	28.9	30.8	30.1	26.6	22.7	27	35	54	73	90	80.0	80.0	80.0	80.0	80.0	2.0	2.7	4.0	5.4	6.9	*	*	1.4	2.9	4.8
	31.9	34.8	33.3	28.5	23.6	25	32	49	67	83	80.0	80.0	80.0	80.0	80.0	2.0	2.6	4.0	5.4	6.9	*	*	1.4	2.8	4.8
	40.2	41.0	34.1	27.2	23.0	25	29	46	64	79	80.0	80.0	80.0	80.0	80.0	2.2	2.6	4.0	5.4	6.9	*	*	1.4	2.9	4.8
80	17.9	18.8	18.3	16.5	14.5	33	42	62	83	102	100.0	100.0	100.0	100.0	100.0	1.1	1.4	2.1	2.9	3.7	*	*	*	*	1.2
	19.6	20.9	20.2	17.8	15.4	30	38	56	76	93	100.0	100.0	100.0	100.0	100.0	1.1	1.4	2.1	2.9	3.7	*	*	*	*	1.2
	20.5	22.9	21.0	17.6	15.1	28	35	53	72	90	100.0	100.0	100.0	100.0	100.0	1.0	1.4	2.1	2.9	3.7	*	*	*	*	1.2
	22.3	23.8	23.3	20.9	18.1	30	38	58	77	95	90.0	90.0	90.0	90.0	90.0	2.1	2.7	4.1	5.6	7.1	*	*	1.6	3.1	5.1
	24.5	26.6	25.8	22.5	19.1	27	35	52	70	87	90.0	90.0	90.0	90.0	90.0	2.1	2.7	4.1	5.5	7.1	*	*	1.5	3.0	5.1
	27.1	30.3	26.9	22.1	18.8	25	32	49	67	84	90.0	90.0	90.0	90.0	90.0	2.0	2.7	4.1	5.5	7.1	*	*	1.5	3.0	5.1
90	14.6	15.0	14.4	13.1	11.6	36	46	68	90	110	110.0	110.0	110.0	110.0	110.0	1.1	1.5	2.2	3.0	3.9	*	*	*	*	1.4
	16.0	16.6	15.8	14.1	12.3	32	41	62	82	101	110.0	110.0	110.0	110.0	110.0	1.1	1.4	2.2	3.0	3.8	*	*	*	*	1.4
	16.1	17.7	16.4	14.0	12.1	31	39	58	79	98	110.0	110.0	110.0	110.0	110.0	1.1	1.4	2.2	3.0	3.8	*	*	*	*	1.4
	17.9	18.8	18.3	16.5	14.5	33	42	62	83	102	100.0	100.0	100.0	100.0	100.0	2.1	2.8	4.3	5.8	7.4	*	*	1.7	3.3	5.5
	19.6	20.9	20.2	17.8	15.4	30	38	56	76	93	100.0	100.0	100.0	100.0	100.0	2.1	2.8	4.2	5.7	7.3	*	*	1.7	3.3	5.4
	20.5	22.9	21.0	17.6	15.1	28	35	53	72	90	100.0	100.0	100.0	100.0	100.0	2.1	2.8	4.2	5.7	7.4	*	*	1.6	3.3	5.4
100	11.9	12.0	11.4	10.4	9.3	39	50	74	97	119	120.0	120.0	120.0	120.0	120.0	1.2	1.5	2.3	3.2	4.1	*	*	*	*	1.6
	12.9	13.2	12.5	11.2	10.0	35	45	68	90	110	120.0	120.0	120.0	120.0	120.0	1.1	1.5	2.3	3.1	4.0	*	*	*	*	1.5
	13.0	14.0	13.0	11.3	9.8	34	42	63	86	107	120.0	120.0	120.0	120.0	120.0	1.1	1.5	2.3	3.1	4.0	*	*	*	*	1.5
	14.6	15.0	14.4	13.1	11.6	36	46	68	90	110	110.0	110.0	110.0	110.0	110.0	2.2	2.9	4.5	6.1	7.8	*	*	1.9	3.7	6.0
	16.0	16.6	15.8	14.1	12.3	32	41	62	82	101	110.0	110.0	110.0	110.0	110.0	2.2	2.9	4.4	6.0	7.7	*	*	1.8	3.5	5.8
	16.1	17.7	16.4	14.0	12.1	31	39	58	79	98	110.0	110.0	110.0	110.0	110.0	2.2	2.9	4.3	6.0	7.7	*	*	1.8	3.5	5.9
110	9.7	9.7	9.2	8.4	7.6	41	54	79	105	128	130.0	130.0	130.0	130.0	130.0	1.2	1.6	2.5	3.4	4.3	*	*	*	1.0	1.7
	10.4	10.5	9.9	9.0	8.1	38	50	75	100	122	130.0	130.0	130.0	130.0	130.0	1.2	1.6	2.4	3.3	4.3	*	*	*	*	1.6
	10.8	11.4	10.5	9.2	8.0	36	46	69	94	117	130.0	130.0	130.0	130.0	130.0	1.2	1.6	2.4	3.3	4.3	*	*	*	*	1.6
	11.9	12.0	11.4	10.4	9.3	39	50	74	97	119	120.0	120.0	120.0	120.0	120.0	2.3	3.1	4.7	6.4	8.2	*	*	2.1	4.0	6.6
	12.9	13.2	12.5	11.2	10.0	35	45	68	90	110	120.0	120.0	120.0	120.0	120.0	2.3	3.0	4.6	6.3	8.1	*	*	2.0	3.9	6.4
	13.0	14.0	13.0	11.3	9.8	34	42	63	86	107	120.0	120.0	120.0	120.0	120.0	2.3	3.0	4.5	6.3	8.1	*	*	2.0	3.9	6.4
120	7.9	7.8	7.4	6.8	6.5	44	57	85	113	130	140.0	140.0	140.0	140.0	140										

Performance Data — Trilogy VE 1860 Heating

EWT °F	DT	CFM/T	TC					KW					HE					COP				
			Compressor Speed %					Compressor Speed %					Compressor Speed %					Compressor Speed %				
			30	40	60	80	100	30	40	60	80	100	30	40	60	80	100	30	40	60	80	100
20	6	300	18.0	24.0	36.0	48.0	57.0	2.0	2.6	4.0	5.6	6.9	11.0	15.0	22.2	28.8	33.6	2.6	2.7	2.6	2.5	2.4
	6	400	18.0	24.0	36.0	48.0	60.0	1.8	2.3	3.7	5.2	6.9	12.0	16.0	23.5	30.3	36.5	3.0	3.0	2.9	2.7	2.6
	6	500	18.0	24.0	36.0	48.0	60.0	1.6	2.2	3.4	5.0	6.8	12.6	16.7	24.2	31.0	37.0	3.3	3.3	3.1	2.8	2.6
30	12	300	18.0	24.0	36.0	48.0	60.0	1.94	2.47	3.79	5.29	6.82	11.4	15.6	23.1	29.9	36.7	2.7	2.8	2.8	2.7	2.6
	12	400	18.0	24.0	36.0	48.0	60.0	1.65	2.18	3.39	4.82	6.42	12.4	16.6	24.4	31.6	38.1	3.2	3.2	3.1	2.9	2.7
	12	500	18.0	24.0	36.0	48.0	60.0	1.48	2.01	3.21	4.64	6.34	12.9	17.1	25.0	32.2	38.4	3.6	3.5	3.3	3.0	2.8
	6	300	18.0	24.0	36.0	48.0	60.0	1.79	2.26	3.44	4.82	6.20	11.9	16.3	24.3	31.6	38.8	2.9	3.1	3.1	2.9	2.8
	6	400	18.0	24.0	36.0	48.0	60.0	1.51	1.96	3.05	4.34	5.81	12.9	17.3	25.6	33.2	40.2	3.5	3.6	3.5	3.2	3.0
	6	500	18.0	24.0	36.0	48.0	60.0	1.35	1.82	2.89	4.19	5.76	13.4	17.8	26.1	33.7	40.3	3.9	3.9	3.7	3.4	3.1
40	12	300	18.0	24.0	36.0	48.0	60.0	1.70	2.12	3.23	4.52	5.83	12.2	16.7	25.0	32.6	40.1	3.1	3.3	3.3	3.1	3.0
	12	400	18.0	24.0	36.0	48.0	60.0	1.42	1.83	2.84	4.05	5.43	13.2	17.7	26.3	34.2	41.5	3.7	3.8	3.7	3.5	3.2
	12	500	18.0	24.0	36.0	48.0	60.0	1.28	1.70	2.69	3.92	5.41	13.6	18.2	26.8	34.6	41.5	4.1	4.1	3.9	3.6	3.2
	6	300	18.0	24.0	36.0	48.0	60.0	1.57	1.94	2.94	4.12	5.31	12.6	17.4	26.0	33.9	41.9	3.4	3.6	3.6	3.4	3.3
	6	400	18.0	24.0	36.0	48.0	60.0	1.30	1.66	2.55	3.65	4.93	13.6	18.3	27.3	35.5	43.2	4.1	4.2	4.1	3.9	3.6
	6	500	18.0	24.0	36.0	48.0	60.0	1.16	1.53	2.42	3.54	4.94	14.0	18.8	27.7	35.9	43.2	4.5	4.6	4.4	4.0	3.6
50	13	300	18.0	24.0	36.0	48.0	60.0	1.51	1.86	2.80	3.93	5.07	12.9	17.7	26.4	34.6	42.7	3.5	3.8	3.8	3.6	3.5
	13	400	18.0	24.0	36.0	48.0	60.0	1.24	1.58	2.42	3.47	4.70	13.8	18.6	27.7	36.2	44.0	4.2	4.5	4.4	4.1	3.7
	13	500	18.0	24.0	36.0	48.0	60.0	1.11	1.46	2.30	3.37	4.72	14.2	19.0	28.2	36.5	43.9	4.7	4.8	4.6	4.2	3.7
	7	300	18.0	24.0	36.0	48.0	60.0	1.39	1.70	2.55	3.59	4.64	13.2	18.2	27.3	35.7	44.2	3.8	4.1	4.1	3.9	3.8
	7	400	18.0	24.0	36.0	48.0	60.0	1.14	1.43	2.19	3.15	4.28	14.1	19.1	28.5	37.3	45.4	4.6	4.9	4.8	4.5	4.1
	7	500	18.0	24.0	36.0	48.0	60.0	1.02	1.31	2.07	3.06	4.33	14.5	19.5	28.9	37.5	45.2	5.2	5.4	5.1	4.6	4.1
60	13	300	18.0	24.0	36.0	48.0	60.0	1.32	1.60	2.40	3.39	4.38	13.5	18.5	27.8	36.4	45.1	4.0	4.4	4.4	4.2	4.0
	13	400	18.0	24.0	36.0	48.0	60.0	1.08	1.34	2.04	2.95	4.04	14.3	19.4	29.0	37.9	46.2	4.9	5.2	5.2	4.8	4.4
	13	500	18.0	24.0	36.0	48.0	60.0	0.95	1.23	1.93	2.88	4.10	14.7	19.8	29.4	38.2	46.0	5.5	5.7	5.5	4.9	4.3
	7	300	18.0	24.0	36.0	48.0	60.0	1.21	1.46	2.19	3.11	4.03	13.9	19.0	28.5	37.4	46.3	4.4	4.8	4.8	4.5	4.4
	7	400	18.0	24.0	36.0	48.0	60.0	0.98	1.22	1.85	2.70	3.72	14.6	19.9	29.7	38.8	47.3	5.4	5.8	5.7	5.2	4.7
	7	500	18.0	24.0	36.0	48.0	60.0	0.86	1.10	1.75	2.63	3.80	15.1	20.2	30.0	39.0	47.0	6.1	6.4	6.0	5.3	4.6
70	13	300	18.0	24.0	36.0	48.0	60.0	1.14	1.37	2.07	2.94	3.82	14.1	19.3	29.0	38.0	47.0	4.6	5.1	5.1	4.8	4.6
	13	400	18.0	24.0	36.0	48.0	60.0	0.92	1.14	1.74	2.55	3.53	14.9	20.1	30.1	39.3	48.0	5.7	6.2	6.1	5.5	5.0
	13	500	18.0	24.0	36.0	48.0	60.0	0.80	1.03	1.64	2.49	3.63	15.3	20.5	30.4	39.5	47.6	6.6	6.9	6.4	5.6	4.8
	7	300	18.0	24.0	36.0	48.0	60.0	1.04	1.24	1.89	2.72	3.55	14.5	19.8	29.5	38.7	47.9	5.1	5.7	5.6	5.2	4.9
	7	400	18.6	24.0	36.0	48.0	60.0	0.85	1.02	1.58	2.35	3.29	15.8	20.5	30.6	40.0	48.8	6.5	6.9	6.7	6.0	5.3
	7	500	19.2	24.0	36.0	48.0	60.0	0.75	0.91	1.49	2.30	3.40	16.7	20.9	30.9	40.1	48.4	7.5	7.7	7.1	6.1	5.2
80	13	300	18.8	24.0	36.0	48.0	60.0	0.99	1.16	1.79	2.59	3.40	15.5	20.1	29.9	39.2	48.4	5.6	6.1	5.9	5.4	5.2
	13	400	19.9	24.0	36.0	48.0	60.0	0.81	0.95	1.49	2.24	3.16	17.1	20.8	30.9	40.4	49.2	7.2	7.4	7.1	6.3	5.6
	13	500	20.5	24.0	36.0	48.0	60.0	0.72	0.84	1.39	2.20	3.28	18.0	21.1	31.2	40.5	48.8	8.3	8.4	7.6	6.4	5.4
	7	300	20.6	24.0	36.0	48.0	60.0	0.92	1.04	1.64	2.42	3.20	17.5	20.5	30.4	39.7	49.1	6.6	6.8	6.4	5.8	5.5
	7	400	21.7	24.0	36.0	48.0	60.0	0.76	0.83	1.36	2.09	2.99	19.1	21.2	31.4	40.9	49.8	8.4	8.4	7.8	6.7	5.9
	7	500	22.3	24.0	36.0	48.0	60.0	0.68	0.73	1.27	2.06	3.13	20.0	21.5	31.7	41.0	49.3	9.7	9.6	8.3	6.8	5.6
90	13	300	21.7	24.0	36.0	48.0	60.0	0.88	0.96	1.55	2.33	3.10	18.7	20.7	30.7	40.1	49.4	7.3	7.4	6.8	6.0	5.7
	13	400	22.8	24.0	36.0	48.0	60.0	0.72	0.76	1.28	2.00	2.90	20.4	21.4	31.6	41.2	50.1	9.3	9.3	8.2	7.0	6.1
	13	500	23.4	24.0	36.0	48.0	60.0	0.64	0.66	1.20	1.98	3.06	21.2	21.7	31.9	41.2	49.6	10.7	10.6	8.8	7.1	5.7
	7	300	23.0	24.0	36.0	48.0	60.0	0.80	0.84	1.43	2.20	2.97	20.3	21.1	31.1	40.5	49.9	8.4	8.4	7.4	6.4	5.9
	7	400	24.2	24.2	36.0	48.0	60.0	0.64	0.64	1.17	1.90	2.80	22.0	22.0	32.0	41.5	50.4	11.0	11.0	9.1	7.4	6.3
	7	500	24.7	24.7	36.0	48.0	60.0	0.58	0.58	1.09	1.89	2.98	22.7	22.7	32.3	41.5	49.8	12.5	12.5	9.6	7.4	5.9
100	17	300	23.0	24.0	36.0	48.0	60.0	0.80	0.84	1.43	2.20	2.97	20.3	21.1	31.1	40.5	49.9	8.4	8.4	7.4	6.4	5.9
	17	400	24.2	24.0	36.0	48.0	60.0	0.64	0.64	1.17	1.90	2.80	22.0	21.8	32.0	41.5	50.4	11.0	11.0	9.1	7.4	6.3
	17	500	24.7	24.0	36.0	48.0	60.0	0.58	0.55	1.09	1.89	2.98	22.7	22.1	32.3	41.5	49.8	12.5	12.7	9.6	7.4	5.9
	17	300	23.0	24.0	36.0	48.0	60.0	0.80	0.84	1.43	2.20	2.97	20.3	21.1	31.1	40.5	49.9	8.4	8.4	7.4	6.4	5.9
	17	400	24.2	24.0	36.0	48.0	60.0	0.64	0.64	1.17	1.90	2.80	22.0	21.8	32.0	41.5	50.4	11.0	11.0	9.1	7.4	6.3
	17	500	24.7	24.0	36.0	48.0	60.0	0.58	0.55	1.09	1.89	2.98	22.7	22.1	32.3	41.5	49.8	12.5	12.7	9.6	7.4	5.9
110	27	300	23.0	24.0	36.0	48.0	60.0	0.80	0.84	1.43	2.20	2.97	20.3	21.1	31.1	40.5	49.9	8.4	8.4	7.4	6.4	5.9
	27	400	24.2	24.0	36.0	48.0	60.0	0.64	0.64	1.17	1.90	2.80	22.0	21.8	32.0	41.5	50.4	11.0	11.0	9.1	7.4	6.3
	27	500	24.7	24.0	36.0	48.0	60.0	0.58	0.55	1.09	1.89	2.98	22.7	22.1	32.3	41.5	49.8	12.5	12.7	9.6	7.4	5.9
	27																					

Performance Data — Trilogy VE 1860 Heating

EWT °F	HZ					LWT(°F)					GPM					WPD(ft. of hd)				
	Compressor Speed %					Compressor Speed %					Compressor Speed %					Compressor Speed %				
	30	40	60	80	100	30	40	60	80	100	30	40	60	80	100	30	40	60	80	100
20	43	52	77	102	116	14.0	14.0	14.0	14.0	14.0	3.7	5.0	7.4	9.6	11.2	0.2	0.6	2.2	4.7	7.1
	42	54	78	100	120	14.0	14.0	14.0	14.0	14.0	4.0	5.3	7.8	10.1	12.2	0.2	0.7	2.6	5.4	8.9
	41	53	78	99	118	14.0	14.0	14.0	14.0	14.0	4.2	5.6	8.1	10.3	12.3	0.3	0.8	2.9	5.8	9.1
30	40	49	72	97	113	18.0	18.0	18.0	18.0	18.0	1.9	2.6	3.8	5.0	6.1	*	*	*	*	1.2
	40	51	74	95	114	18.0	18.0	18.0	18.0	18.0	2.1	2.8	4.1	5.3	6.3	*	*	*	*	1.3
	38	50	73	94	112	18.0	18.0	18.0	18.0	18.0	2.2	2.9	4.2	5.4	6.4	*	*	*	*	1.3
	36	44	67	89	105	24.0	24.0	24.0	24.0	24.0	4.0	5.4	8.1	10.5	12.9	*	*	2.7	5.8	10.0
	36	47	68	87	105	24.0	24.0	24.0	24.0	24.0	4.3	5.8	8.5	11.1	13.4	*	*	3.2	6.6	10.9
40	35	46	67	86	103	24.0	24.0	24.0	24.0	24.0	4.5	5.9	8.7	11.2	13.4	*	*	3.4	6.9	11.0
	34	42	63	85	100	28.0	28.0	28.0	28.0	28.0	2.0	2.8	4.2	5.4	6.7	*	*	*	*	1.4
	34	44	64	83	99	28.0	28.0	28.0	28.0	28.0	2.2	3.0	4.4	5.7	6.9	*	*	*	*	1.6
	33	43	63	81	98	28.0	28.0	28.0	28.0	28.0	2.3	3.0	4.5	5.8	6.9	*	*	*	*	1.6
	31	38	58	79	93	34.0	34.0	34.0	34.0	34.0	4.2	5.8	8.7	11.3	14.0	*	*	3.2	6.8	11.7
	31	40	58	76	92	34.0	34.0	34.0	34.0	34.0	4.5	6.1	9.1	11.8	14.4	*	1.0	3.7	7.6	12.7
50	30	39	57	74	90	34.0	34.0	34.0	34.0	34.0	4.7	6.3	9.2	12.0	14.4	*	1.1	3.9	7.9	12.6
	30	36	56	76	90	37.0	37.0	37.0	37.0	37.0	2.0	2.7	4.1	5.3	6.6	*	*	*	*	1.3
	29	38	56	73	88	37.0	37.0	37.0	37.0	37.0	2.1	2.9	4.3	5.6	6.8	*	*	*	*	1.4
	29	37	55	71	86	37.0	37.0	37.0	37.0	37.0	2.2	2.9	4.3	5.6	6.8	*	*	*	*	1.4
	27	33	52	71	84	43.0	43.0	43.0	43.0	43.0	3.8	5.2	7.8	10.2	12.6	*	*	2.2	4.9	8.8
	27	35	51	67	81	43.0	43.0	43.0	43.0	43.0	4.0	5.5	8.2	10.6	13.0	*	*	2.6	5.6	9.4
60	26	34	50	65	79	43.0	43.0	43.0	43.0	43.0	4.2	5.6	8.3	10.7	12.9	*	*	2.7	5.7	9.3
	26	32	49	68	80	47.0	47.0	47.0	47.0	47.0	2.1	2.9	4.3	5.6	6.9	*	*	*	*	1.5
	25	32	48	63	77	47.0	47.0	47.0	47.0	47.0	2.2	3.0	4.5	5.8	7.1	*	*	*	*	1.6
	24	32	47	62	75	47.0	47.0	47.0	47.0	47.0	2.3	3.0	4.5	5.9	7.1	*	*	*	*	1.6
	24	29	46	64	75	53.0	53.0	53.0	53.0	53.0	4.0	5.4	8.1	10.7	13.2	*	*	2.5	5.4	9.6
	23	29	44	58	72	53.0	53.0	53.0	53.0	53.0	4.2	5.7	8.5	11.1	13.5	*	*	2.8	6.0	10.2
70	22	29	42	57	70	53.0	53.0	53.0	53.0	53.0	4.3	5.8	8.6	11.1	13.4	*	*	2.9	6.1	10.1
	23	28	43	61	72	57.0	57.0	57.0	57.0	57.0	2.2	3.0	4.5	5.8	7.2	*	*	*	*	1.7
	21	28	41	55	68	57.0	57.0	57.0	57.0	57.0	2.3	3.1	4.6	6.0	7.4	*	*	*	*	1.8
	21	27	40	54	67	57.0	57.0	57.0	57.0	57.0	2.3	3.2	4.7	6.1	7.3	*	*	*	1.0	1.8
	22	26	41	57	68	63.0	63.0	63.0	63.0	63.0	4.1	5.6	8.4	11.1	13.7	*	*	2.7	5.9	10.3
	20	25	38	51	64	63.0	63.0	63.0	63.0	63.0	4.5	5.9	8.7	11.4	13.9	*	*	3.0	6.4	10.8
80	20	24	37	50	63	63.0	63.0	63.0	63.0	63.0	4.8	6.0	8.8	11.5	13.8	*	*	3.1	6.5	10.6
	21	25	39	55	65	67.0	67.0	67.0	67.0	67.0	2.4	3.1	4.6	6.0	7.4	*	*	*	*	1.8
	20	24	36	49	62	67.0	67.0	67.0	67.0	67.0	2.6	3.2	4.8	6.2	7.6	*	*	*	1.0	1.9
	20	23	35	47	60	67.0	67.0	67.0	67.0	67.0	2.8	3.3	4.8	6.2	7.5	*	*	*	1.0	1.9
	21	23	36	52	62	73.0	73.0	73.0	73.0	73.0	5.0	5.8	8.7	11.4	14.0	*	*	2.9	6.2	10.7
	20	22	33	46	59	73.0	73.0	73.0	73.0	73.0	5.5	6.0	9.0	11.7	14.2	*	*	3.2	6.6	11.1
90	20	21	32	45	58	73.0	73.0	73.0	73.0	73.0	5.7	6.1	9.0	11.7	14.1	*	1.0	3.3	6.7	10.9
	20	22	35	50	59	77.0	77.0	77.0	77.0	77.0	2.9	3.2	4.7	6.2	7.6	*	*	*	1.0	1.9
	20	21	32	44	57	77.0	77.0	77.0	77.0	77.0	3.1	3.3	4.9	6.3	7.7	*	*	*	1.1	2.0
	20	20	31	43	56	77.0	77.0	77.0	77.0	77.0	3.3	3.3	4.9	6.3	7.6	*	*	*	1.1	2.0
	20	20	32	47	56	83.0	83.0	83.0	83.0	83.0	5.8	6.0	8.9	11.6	14.2	*	*	3.1	6.4	11.0
	20	20	30	43	56	83.0	83.0	83.0	83.0	83.0	6.3	6.3	9.1	11.9	14.4	1.1	1.1	3.3	6.8	11.3
100	20	20	30	42	55	83.0	83.0	83.0	83.0	83.0	6.5	6.5	9.2	11.9	14.2	1.2	1.2	3.4	6.8	11.0
	20	20	32	47	56	83.0	83.0	83.0	83.0	83.0	2.4	2.5	3.7	4.8	5.9	*	*	*	*	*
	20	20	30	43	56	83.0	83.0	83.0	83.0	83.0	2.6	2.6	3.8	4.9	5.9	*	*	*	*	*
	20	20	30	42	55	83.0	83.0	83.0	83.0	83.0	2.7	2.6	3.8	4.9	5.9	*	*	*	*	*
	20	20	32	47	56	83.0	83.0	83.0	83.0	83.0	2.4	2.5	3.7	4.8	5.9	*	*	*	*	*
	20	20	30	43	56	83.0	83.0	83.0	83.0	83.0	2.6	2.6	3.8	4.9	5.9	*	*	*	*	*
110	20	20	30	42	55	83.0	83.0	83.0	83.0	83.0	2.7	2.6	3.8	4.9	5.9	*	*	*	*	*
	20	20	32	47	56	83.0	83.0	83.0	83.0	83.0	1.5	1.6	2.3	3.0	3.7	*	*	*	*	*
	20	20	30	43	56	83.0	83.0	83.0	83.0	83.0	1.6	1.6	2.4	3.1	3.7	*	*	*	*	*
	20	20	30	42	55	83.0	83.0	83.0	83.0	83.0	1.7	1.6	2.4	3.1	3.7	*	*	*	*	*
	20	20	32	47	56	83.0	83.0	83.0	83.0	83.0	1.5	1.6	2.3	3.0	3.7	*	*	*	*	*
	20	20	30	43	56	83.0	83.0	83.0	83.0	83.0	1.6	1.6	2.4	3.1	3.7	*	*	*	*	*
120	20	20	30	42	55	83.0	83.0	83.0	83.0	83.0	1.7	1.6	2.4	3.1	3.7	*	*	*	*	*
	20	20	32	47	56	83.0	83.0	83.0	83.0	83.0	1.1	1.1	1.7	2.2	2.7	*	*	*	*	*
	20	20	30	43	56	83.0	83.0	83.0	83.0	83.0	1.2	1.2	1.7	2.2	2.7	*	*	*	*	*
	20	20	30	42	55	83.0	83.0	83.0	83.0	83.0	1.2	1.2	1.7	2.2	2.7	*	*	*	*	*
	20	20	32	47	56	83.0	83.0	83.0	83.0	83.0	1.1	1.1	1.7	2.2	2.7	*	*	*	*	*
	20	20	30	43	56	83.0	83.0	83.0	83.0	83.0	1.2	1.2	1.7	2.2	2.7	*	*	*	*	*

* pressure drop is less than 1 ft
 Interpolation is permissible, extrapolation is not.
 Performance data in shaded area will be reduced for operating voltages below 240 vac.

Above performance is based on 70°F db entering air condition.
 Above data is based on 15% methanol.
 Table does not include fan or pump power corrections for AHRI/ISO conditions.

Performance Data — Trilogy VE 1860 Cooling

EWT °F	DT	CFM/T	TC					SC					S/T					kW					HR				
			Compressor Speed %					Compressor Speed %					Compressor Speed %					Compressor Speed %					Compressor Speed %				
			30	40	60	80	100	30	40	60	80	100	30	40	60	80	100	30	40	60	80	100	30	40	60	80	100
20	45	300	18.0	24.0	36.0	48.0	60.0	11.3	15.5	23.0	30.1	37.8	0.63	0.65	0.64	0.63	0.63	0.26	0.40	0.81	1.38	2.10	18.9	25.4	38.8	52.7	67.2
	45	400	19.8	24.0	36.0	48.0	60.0	13.9	17.2	26.1	34.2	41.5	0.71	0.72	0.72	0.71	0.69	0.23	0.35	0.77	1.34	2.17	20.5	25.2	38.6	52.6	67.4
	45	500	20.1	24.0	36.0	48.0	60.0	15.7	18.4	28.3	37.9	44.1	0.78	0.77	0.78	0.79	0.74	0.27	0.29	0.83	1.77	2.70	21.0	25.0	38.8	54.0	69.2
30	40	300	18.0	24.0	36.0	48.0	60.0	11.2	15.3	22.8	30.0	37.7	0.62	0.64	0.63	0.62	0.63	0.41	0.54	0.95	1.57	2.36	19.4	25.8	39.3	53.3	68.0
	40	400	19.1	24.0	36.0	48.0	60.0	13.6	17.3	26.1	34.3	41.7	0.71	0.72	0.73	0.71	0.70	0.36	0.49	0.90	1.50	2.39	20.3	25.7	39.1	53.1	68.1
	40	500	20.1	24.0	36.0	48.0	60.0	16.0	18.8	28.7	38.5	45.0	0.80	0.78	0.80	0.80	0.75	0.35	0.36	0.91	1.89	2.87	21.2	25.2	39.1	54.4	69.8
	35	300	18.0	24.0	36.0	48.0	60.0	11.3	15.5	23.0	30.1	37.8	0.63	0.65	0.64	0.63	0.63	0.26	0.40	0.81	1.38	2.10	18.9	25.4	38.8	52.7	67.2
	35	400	19.8	24.0	36.0	48.0	60.0	13.9	17.2	26.1	34.2	41.5	0.71	0.72	0.72	0.71	0.69	0.23	0.35	0.77	1.34	2.17	20.5	25.2	38.6	52.6	67.4
40	30	300	18.0	24.0	36.0	48.0	60.0	11.2	15.3	22.8	30.0	37.7	0.62	0.64	0.63	0.62	0.63	0.41	0.54	0.95	1.57	2.36	19.4	25.8	39.3	53.3	68.0
	30	400	19.1	24.0	36.0	48.0	60.0	13.6	17.3	26.1	34.3	41.7	0.71	0.72	0.73	0.71	0.70	0.36	0.49	0.90	1.50	2.39	20.3	25.7	39.1	53.1	68.1
	30	500	20.1	24.0	36.0	48.0	60.0	16.0	18.8	28.7	38.5	45.0	0.80	0.78	0.80	0.80	0.75	0.35	0.36	0.91	1.89	2.87	21.2	25.2	39.1	54.4	69.8
	25	300	18.0	24.0	36.0	48.0	60.0	11.3	15.5	23.0	30.1	37.8	0.63	0.65	0.64	0.63	0.63	0.26	0.40	0.81	1.38	2.10	18.9	25.4	38.8	52.7	67.2
	25	400	19.8	24.0	36.0	48.0	60.0	13.9	17.2	26.1	34.2	41.5	0.71	0.72	0.72	0.71	0.69	0.23	0.35	0.77	1.34	2.17	20.5	25.2	38.6	52.6	67.4
50	20	300	18.0	24.0	36.0	48.0	60.0	11.2	15.3	22.8	30.0	37.7	0.62	0.64	0.63	0.62	0.63	0.41	0.54	0.95	1.57	2.36	19.4	25.8	39.3	53.3	68.0
	20	400	19.1	24.0	36.0	48.0	60.0	13.6	17.3	26.1	34.3	41.7	0.71	0.72	0.73	0.71	0.70	0.36	0.49	0.90	1.50	2.39	20.3	25.7	39.1	53.1	68.1
	20	500	20.1	24.0	36.0	48.0	60.0	16.0	18.8	28.7	38.5	45.0	0.80	0.78	0.80	0.80	0.75	0.35	0.36	0.91	1.89	2.87	21.2	25.2	39.1	54.4	69.8
	15	300	18.0	24.0	36.0	48.0	60.0	11.3	15.5	23.0	30.1	37.8	0.63	0.65	0.64	0.63	0.63	0.26	0.40	0.81	1.38	2.10	18.9	25.4	38.8	52.7	67.2
	15	400	19.8	24.0	36.0	48.0	60.0	13.9	17.2	26.1	34.2	41.5	0.71	0.72	0.72	0.71	0.69	0.23	0.35	0.77	1.34	2.17	20.5	25.2	38.6	52.6	67.4
60	20	300	18.0	24.0	36.0	48.0	60.0	11.1	15.2	22.6	29.8	37.6	0.62	0.63	0.63	0.62	0.63	0.62	0.76	1.26	2.02	3.02	20.1	26.6	40.3	54.9	70.3
	20	400	18.0	24.0	36.0	48.0	60.0	12.8	17.3	26.0	34.3	41.9	0.71	0.72	0.72	0.71	0.70	0.55	0.72	1.18	1.89	2.93	19.9	26.5	40.0	54.4	70.0
	20	500	19.3	24.0	36.0	48.0	60.0	15.6	18.9	29.0	39.2	46.1	0.81	0.79	0.81	0.82	0.77	0.51	0.53	1.13	2.22	3.38	21.0	25.8	39.9	55.6	71.5
	10	300	18.0	24.0	36.0	48.0	60.0	11.2	15.3	22.8	30.0	37.7	0.62	0.64	0.63	0.62	0.63	0.41	0.54	0.95	1.57	2.36	19.4	25.8	39.3	53.3	68.0
	10	400	19.1	24.0	36.0	48.0	60.0	13.6	17.3	26.1	34.3	41.7	0.71	0.72	0.73	0.71	0.70	0.36	0.49	0.90	1.50	2.39	20.3	25.7	39.1	53.1	68.1
70	20	300	18.0	24.0	36.0	48.0	60.0	11.1	15.2	22.6	29.7	37.7	0.62	0.63	0.63	0.62	0.63	0.78	0.98	1.64	2.63	3.94	20.7	27.4	41.6	57.0	73.4
	20	400	18.0	24.0	36.0	48.0	60.0	12.8	17.2	25.8	34.1	42.0	0.71	0.72	0.72	0.71	0.70	0.71	0.93	1.51	2.40	3.68	20.4	27.2	41.2	56.2	72.6
	20	500	18.0	24.0	36.0	48.0	60.0	14.5	18.6	28.7	39.1	46.3	0.81	0.77	0.80	0.81	0.77	0.69	0.72	1.45	2.72	4.10	20.3	26.5	41.0	57.3	74.0
	10	300	18.0	24.0	36.0	48.0	60.0	11.1	15.2	22.6	29.8	37.6	0.62	0.63	0.63	0.62	0.63	0.62	0.76	1.26	2.02	3.02	20.1	26.6	40.3	54.9	70.3
	10	400	18.0	24.0	36.0	48.0	60.0	12.8	17.3	26.0	34.3	41.9	0.71	0.72	0.72	0.71	0.70	0.55	0.72	1.18	1.89	2.93	19.9	26.5	40.0	54.4	70.0
80	20	300	18.0	24.0	36.0	48.0	60.0	11.2	15.3	22.6	29.9	38.0	0.62	0.63	0.63	0.62	0.63	0.96	1.25	2.16	3.46	5.15	21.3	28.3	43.4	59.8	77.6
	20	400	18.0	24.0	36.0	48.0	60.0	12.8	17.0	25.5	33.8	41.9	0.71	0.71	0.71	0.70	0.70	0.87	1.16	1.95	3.09	4.68	21.0	28.0	42.6	58.5	76.0
	20	500	18.0	24.0	36.0	48.0	60.0	14.1	18.0	28.1	38.5	46.1	0.78	0.75	0.78	0.80	0.77	0.87	0.98	1.90	3.40	5.08	21.0	27.3	42.5	59.6	77.3
	10	300	18.0	24.0	36.0	48.0	60.0	11.1	15.2	22.6	29.7	37.7	0.62	0.63	0.63	0.62	0.63	0.78	0.98	1.64	2.63	3.94	20.7	27.4	41.6	57.0	73.4
	10	400	18.0	24.0	36.0	48.0	60.0	12.8	17.2	25.8	34.1	42.0	0.71	0.72	0.72	0.71	0.70	0.71	0.93	1.51	2.40	3.68	20.4	27.2	41.2	56.2	72.6
90	20	300	18.0	24.0	36.0	48.0	60.0	11.3	15.3	22.7	30.1	38.4	0.63	0.64	0.63	0.63	0.64	1.19	1.63	2.86	4.57	6.72	22.1	29.5	45.8	63.6	82.9
	20	400	18.0	24.0	36.0	48.0	60.0	12.8	16.9	25.2	33.5	41.7	0.71	0.70	0.70	0.70	0.70	1.07	1.48	2.54	4.00	5.97	21.6	29.0	44.7	61.7	80.4
	20	500	18.0	24.0	36.0	48.0	60.0	13.7	17.6	27.5	37.9	45.6	0.76	0.73	0.76	0.79	0.76	1.10	1.31	2.48	4.28	6.31	21.8	28.5	44.5	62.6	81.5
	10	300	18.0	24.0	36.0	48.0	60.0	11.2	15.2	22.6	29.9	38.0	0.62	0.63	0.63	0.62	0.63	0.96	1.25	2.16	3.46	5.15	21.3	28.3	43.4	59.8	77.6
	10	400	18.0	24.0	36.0	48.0	60.0	12.8	17.0	25.5	33.8	41.9	0.71	0.71	0.71	0.70	0.70	0.87	1.16	1.95	3.09	4.68	21.0	28.0	42.6	58.5	76.0
100	20	300	18.0	24.0	36.0	48.0	60.0	11.4	15.4	22.9	30.5	36.6	0.63	0.64	0.64	0.63	0.64	1.53	2.15	3.81	5.99	7.94	23.2	31.3	49.0	68.5	83.9
	20	400	18.0	24.0	36.0	48.0	60.0	12.9	16.9	25.0	33.3	41.7	0.72	0.70	0.69	0.69	0.69	1.37	1.93	3.33	5.20	7.63	22.7	30.6	47.4	65.7	86.0
	20	500	18.0	24.0	36.0	48.0	60.0	13.9	17.5	27.2	37.5	45.2	0.77	0.73	0.76	0.78	0.75	1.40	1.75	3.22	5.39	7.84	22.8	30.0	47.0	66.4	86.7
	10	300	18.0	24.0	36.0	48.0	60.0	11.3	15.3	22.7	30.1	38.4	0.63	0.64	0.63	0.63	0.64	1.19	1.63	2.86	4.57	6.72	22.1	29.5	45.8	63.6	82.9
	10	400	18.0	24.0	36.0	48.0	60.0	12.8	16.9	25.2	33.5	41.7	0.71	0.70	0.70	0.70	0.70	1.07	1.48	2.54	4.00	5.97	21.6	29.0	44.7	61.7	80.4
110	20	300	18.0	24.0	36.0	44.5	44.5	11.4	15.5	23.1	28.5	28.5	0.63	0.64	0.64	0.64	0.64	2.0	2.9	5.0	6.9	6.9	25.0	33.9	53.2	68.2	68.2
	20	400	18.0	24.0	36.0	48.0	50.5	13.3	17.1	25.0	33.3	35.1	0.74	0.71	0.70	0.69	0.69	1.8	2.6	4.4	6.7	7.3	24.2	32.8	51.0	71.0	75.4
	20	500	18.0	24.0	36.0	48.0	52.0	14.8	18.2	27.5	37.6	40.6	0.82	0.76	0.76	0.78	0.78	1.8	2.3	4.2	6.7	7.7	24.1	31.9	50.2	71.0	78.3
	10	300	18.0	24.0	36.0	48.0	56.8	11.4	15.4	22.9	30.5	3															

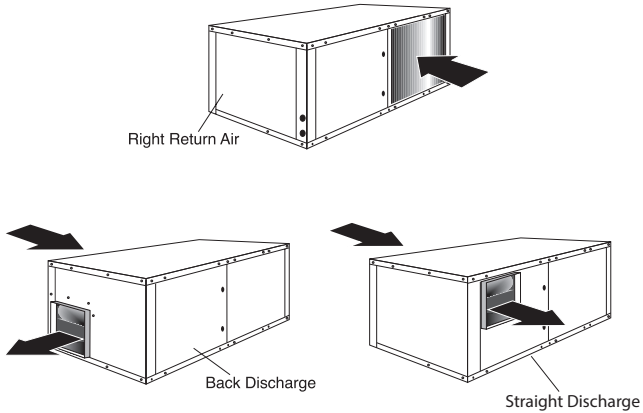
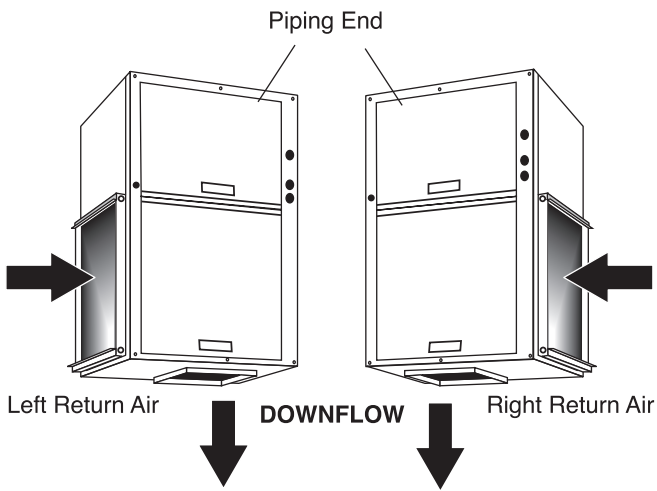
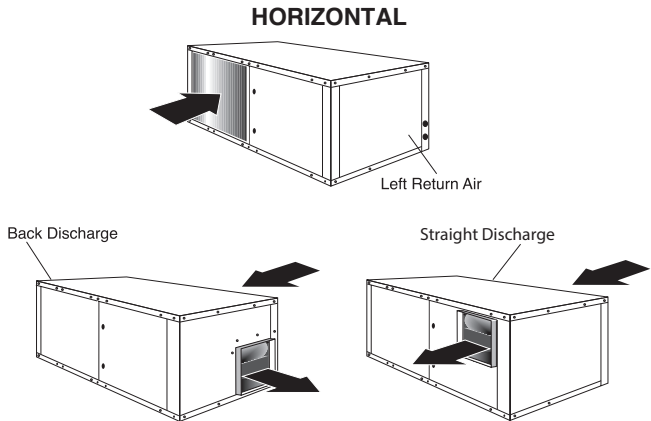
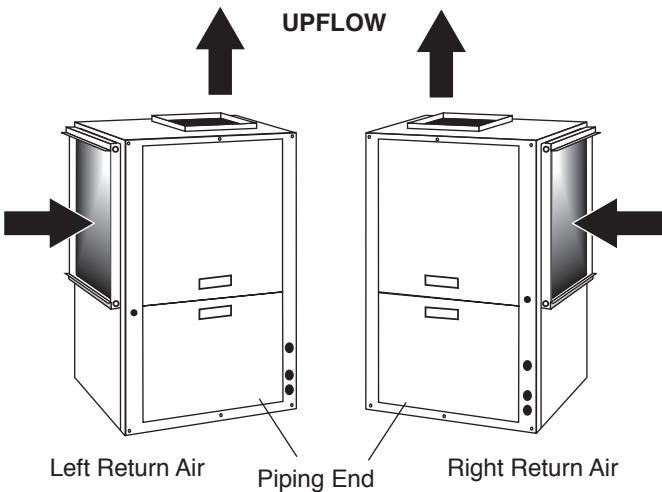
Performance Data — Trilogy VE 1860 Cooling

EWT °F	EER					Hz					LWT(°F)					GPM					WPD(ft. of hd)				
	Compressor Speed %					Compressor Speed %					Compressor Speed %					Compressor Speed %					Compressor Speed %				
	30	40	60	80	100	30	40	60	80	100	30	40	60	80	100	30	40	60	80	100	30	40	60	80	100
20	68.1	59.4	44.2	34.7	28.6	20	25	39	56	71	65.0	65.0	65.0	65.0	65.0	0.8	1.1	1.7	2.3	3.0	*	*	*	*	*
	86.6	67.8	46.9	35.8	27.6	20	24	37	51	67	65.0	65.0	65.0	65.0	65.0	0.9	1.1	1.7	2.3	3.0	*	*	*	*	*
	73.9	82.5	43.3	27.1	22.2	20	24	37	52	69	65.0	65.0	65.0	65.0	65.0	0.9	1.1	1.7	2.4	3.1	*	*	*	*	*
30	44.4	44.8	37.8	30.7	25.5	21	26	41	58	73	70.0	70.0	70.0	70.0	70.0	1.0	1.3	2.0	2.7	3.4	*	*	*	*	*
	53.7	48.8	39.8	31.9	25.1	20	25	38	52	68	70.0	70.0	70.0	70.0	70.0	1.0	1.3	2.0	2.7	3.4	*	*	*	*	*
	57.6	65.9	39.5	25.5	20.9	20	24	37	51	69	70.0	70.0	70.0	70.0	70.0	1.1	1.3	2.0	2.7	3.5	*	*	*	*	*
	68.1	59.4	44.2	34.7	28.6	20	25	39	56	71	65.0	65.0	65.0	65.0	65.0	1.1	1.5	2.2	3.0	3.8	*	*	*	*	*
	86.6	67.8	46.9	35.8	27.6	20	24	37	51	67	65.0	65.0	65.0	65.0	65.0	1.2	1.4	2.2	3.0	3.9	*	*	*	*	*
	73.9	82.5	43.3	27.1	22.2	20	24	37	52	69	65.0	65.0	65.0	65.0	65.0	1.2	1.4	2.2	3.1	4.0	*	*	*	*	*
40	44.4	44.8	37.8	30.7	25.5	21	26	41	58	73	70.0	70.0	70.0	70.0	70.0	1.3	1.7	2.6	3.6	4.5	*	*	*	*	*
	53.7	48.8	39.8	31.9	25.1	20	25	38	52	68	70.0	70.0	70.0	70.0	70.0	1.4	1.7	2.6	3.5	4.5	*	*	*	*	*
	57.6	65.9	39.5	25.5	20.9	20	24	37	51	69	70.0	70.0	70.0	70.0	70.0	1.4	1.7	2.6	3.6	4.7	*	*	*	*	*
	68.1	59.4	44.2	34.7	28.6	20	25	39	56	71	65.0	65.0	65.0	65.0	65.0	1.5	2.0	3.1	4.2	5.4	*	*	*	*	*
	86.6	67.8	46.9	35.8	27.6	20	24	37	51	67	65.0	65.0	65.0	65.0	65.0	1.6	2.0	3.1	4.2	5.4	*	*	*	*	*
	73.9	82.5	43.3	27.1	22.2	20	24	37	52	69	65.0	65.0	65.0	65.0	65.0	1.7	2.0	3.1	4.3	5.5	*	*	*	*	*
50	44.4	44.8	37.8	30.7	25.5	21	26	41	58	73	70.0	70.0	70.0	70.0	70.0	1.9	2.6	3.9	5.3	6.8	*	*	*	*	1.4
	53.7	48.8	39.8	31.9	25.1	20	25	38	52	68	70.0	70.0	70.0	70.0	70.0	2.0	2.6	3.9	5.3	6.8	*	*	*	*	1.4
	57.6	65.9	39.5	25.5	20.9	20	24	37	51	69	70.0	70.0	70.0	70.0	70.0	2.1	2.5	3.9	5.4	7.0	*	*	*	*	1.5
	68.1	59.4	44.2	34.7	28.6	20	25	39	56	71	65.0	65.0	65.0	65.0	65.0	2.5	3.4	5.2	7.0	9.0	*	*	*	1.5	3.2
	86.6	67.8	46.9	35.8	27.6	20	24	37	51	67	65.0	65.0	65.0	65.0	65.0	2.7	3.4	5.1	7.0	9.0	*	*	*	1.5	3.2
	73.9	82.5	43.3	27.1	22.2	20	24	37	52	69	65.0	65.0	65.0	65.0	65.0	2.8	3.3	5.2	7.2	9.2	*	*	*	1.7	3.5
60	29.1	31.5	28.6	23.8	19.8	22	28	43	62	79	80.0	80.0	80.0	80.0	80.0	2.0	2.7	4.0	5.5	7.0	*	*	*	*	1.5
	32.8	33.3	30.4	25.4	20.4	20	26	40	55	72	80.0	80.0	80.0	80.0	80.0	2.0	2.6	4.0	5.4	7.0	*	*	*	*	1.5
	37.8	45.7	31.8	21.6	17.8	20	25	38	53	71	80.0	80.0	80.0	80.0	80.0	2.1	2.6	4.0	5.6	7.2	*	*	*	*	1.6
	44.4	44.8	37.8	30.7	25.5	21	26	41	58	73	70.0	70.0	70.0	70.0	70.0	3.9	5.2	7.9	10.7	13.6	*	*	2.2	5.2	10.0
	53.7	48.8	39.8	31.9	25.1	20	25	38	52	68	70.0	70.0	70.0	70.0	70.0	4.1	5.1	7.8	10.6	13.6	*	*	2.1	5.2	10.0
	57.6	65.9	39.5	25.5	20.9	20	24	37	51	69	70.0	70.0	70.0	70.0	70.0	4.2	5.0	7.8	10.9	14.0	*	*	2.1	5.5	10.7
70	23.0	24.4	21.9	18.2	15.2	23	30	47	68	87	90.0	90.0	90.0	90.0	90.0	2.1	2.7	4.2	5.7	7.3	*	*	*	*	1.7
	25.3	25.9	23.8	20.0	16.3	22	28	43	59	78	90.0	90.0	90.0	90.0	90.0	2.0	2.7	4.1	5.6	7.3	*	*	*	*	1.7
	26.2	33.2	24.7	17.6	14.6	20	26	40	57	77	90.0	90.0	90.0	90.0	90.0	2.0	2.6	4.1	5.7	7.4	*	*	*	*	1.8
	29.1	31.5	28.6	23.8	19.8	22	28	43	62	79	80.0	80.0	80.0	80.0	80.0	4.0	5.3	8.1	11.0	14.1	*	*	2.3	5.5	10.7
	32.8	33.3	30.4	25.4	20.4	20	26	40	55	72	80.0	80.0	80.0	80.0	80.0	4.0	5.3	8.0	10.9	14.0	*	*	2.3	5.4	10.6
	37.8	45.7	31.8	21.6	17.8	20	25	38	53	71	80.0	80.0	80.0	80.0	80.0	4.2	5.2	8.0	11.1	14.3	*	*	2.2	5.7	11.2
80	18.8	19.2	16.7	13.9	11.6	25	33	52	75	98	100.0	100.0	100.0	100.0	100.0	2.1	2.8	4.3	6.0	7.8	*	*	*	*	2.0
	20.7	20.7	18.5	15.5	12.8	23	31	47	66	87	100.0	100.0	100.0	100.0	100.0	2.1	2.8	4.3	5.9	7.6	*	*	*	*	1.9
	20.7	24.5	19.0	14.1	11.8	22	29	45	63	85	100.0	100.0	100.0	100.0	100.0	2.1	2.7	4.2	6.0	7.7	*	*	*	*	2.0
	23.0	24.4	21.9	18.2	15.2	23	30	47	68	87	90.0	90.0	90.0	90.0	90.0	4.1	5.5	8.3	11.4	14.7	*	*	2.5	6.0	11.7
	25.3	25.9	23.8	20.0	16.3	22	28	43	59	78	90.0	90.0	90.0	90.0	90.0	4.1	5.4	8.2	11.2	14.5	*	*	2.4	5.8	11.4
	26.2	33.2	24.7	17.6	14.6	20	26	40	57	77	90.0	90.0	90.0	90.0	90.0	4.1	5.3	8.2	11.5	14.8	*	*	2.4	6.1	12.0
90	15.2	14.8	12.6	10.5	8.9	28	37	59	85	111	110.0	110.0	110.0	110.0	110.0	2.2	3.0	4.6	6.4	8.3	*	*	*	1.1	2.4
	16.8	16.2	14.2	12.0	10.0	25	34	53	74	99	110.0	110.0	110.0	110.0	110.0	2.2	2.9	4.5	6.2	8.0	*	*	*	1.0	2.2
	16.4	18.3	14.5	11.2	9.5	25	33	51	72	96	110.0	110.0	110.0	110.0	110.0	2.2	2.8	4.4	6.3	8.2	*	*	*	1.0	2.3
	18.8	19.2	16.7	13.9	11.6	25	33	52	75	98	100.0	100.0	100.0	100.0	100.0	4.3	5.7	8.7	12.0	15.5	*	*	2.8	6.8	13.3
	20.7	20.7	18.5	15.5	12.8	23	31	47	66	87	100.0	100.0	100.0	100.0	100.0	4.2	5.6	8.5	11.7	15.2	*	*	2.7	6.4	12.6
	20.7	24.5	19.0	14.1	11.8	22	29	45	63	85	100.0	100.0	100.0	100.0	100.0	4.2	5.5	8.5	11.9	15.5	*	*	2.6	6.7	13.1
100	11.7	11.1	9.5	8.0	7.2	31	42	68	98	120	120.0	120.0	120.0	120.0	120.0	2.3	3.1	4.9	6.8	8.4	*	*	*	1.3	2.4
	13.2	12.4	10.8	9.2	7.9	28	38	60	85	113	120.0	120.0	120.0	120.0	120.0	2.3	3.1	4.7	6.6	8.6	*	*	*	1.2	2.6
	12.9	13.7	11.2	8.9	7.7	27	37	57	82	110	120.0	120.0	120.0	120.0	120.0	2.3	3.0	4.7	6.6	8.7	*	*	*	1.2	2.7
	15.2	14.8	12.6	10.5	8.9	28	37	59	85	111	110.0	110.0	110.0	110.0	110.0	4.4	5.9	9.2	12.7	16.6	*	*	3.2	7.8	15.4
	16.8	16.2	14.2	12.0	10.0	25	34	53	74	99	110.0	110.0	110.0	110.0	110.0	4.3	5.8	8.9	12.3	16.1	*	*	3.0	7.2	14.3
	16.4	18.3	14.5	11.2	9.5	25	33	51	72	96	110.0	110.0	110.0	110.0	110.0	4.4	5.7	8.9	12.5	16.3	*	*	2.9	7.5	14.8
110	8.8	8.3	7.1	6.4	6.4	36	48	79	103	103	130.0	130.0	130.0	130.0	130.0	2.5	3.4	5.3	6.8	8.8	0.1	0.1	0.5	1.2	1.2
	9.9	9.4	8.2	7.1	6.9	32	44	70	98	105	130.0	130.0	130.0	130.0	130.0	2.4	3.3	5.1	7.1	7.5	0.1	0.1	0.4	1.4	1.7
	10.1	10.4	8.7	7.1	6.7	30	41	65	93	104	130.0	130.0	130.0	130.0	130.0	2.4	3.2	5.0	7.1	7.8	0.1	0.1	0.4	1.4	1.9
	11.7	11.1	9.5	8.0	7.2	31	42	68	98	120	120.0	120.0	120.0	120.0	120.0	4.6	6.3	9.8	13.7	16.8	0.4	1.0	3.8	9.4	15.7
	13.2	12.4	10.8	9.2	7.9	28	38	60	85	113	120.0	120.0	120.0	120.0	120.0	4.5	6.1	9.5	13.1	17.2	0.4	0.9	3.5	8.4	16.6
	12.9	13.7	11.2	8.9	7.7	27	37	57	82	110	120.0	120.0	120.0	120.0	120.0	4.6	6.0	9.4	13.3	17.3	0.4	0.9	3.4	8.7	17.0

Physical Data

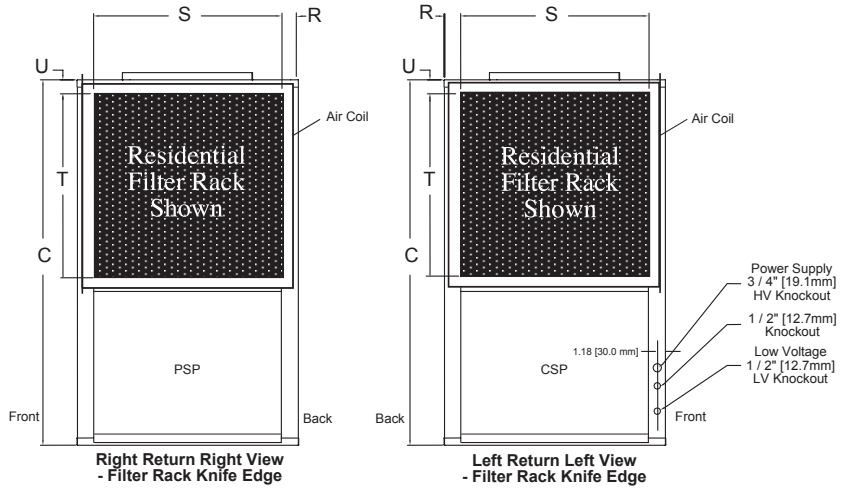
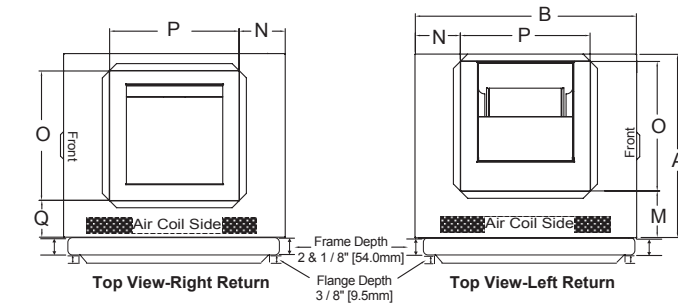
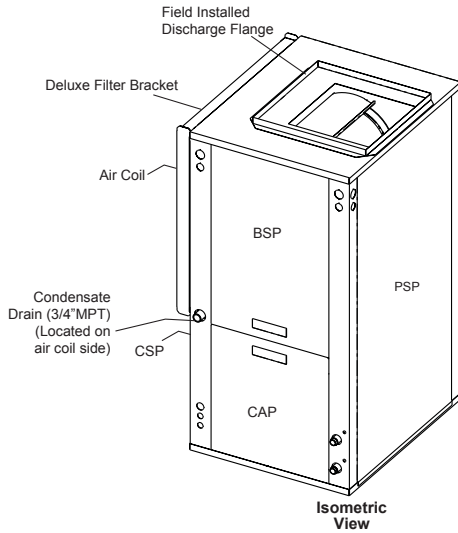
Model	0930	1860
Compressor (1 Each)	Rotary	Scroll
Factory Charge HFC-410a, oz [kg]	48	86
ECM Motor & Blower		
Fan Motor, hp [W]	1/2 [373]	1 [746]
Blower Wheel Size (Dia x W), in [mm]	9 x 7 [229 x 178]	11 x 10 [279 x 254]
Water Connection Size		
Swivel - Residential Class	1"	1"
Vertical Upflow		
Air Coil Dimensions (H x W), in [mm]	28 x 20 [711 x 542]	32 x 25 [813 x 635]
Standard Filter - 2" [25.4mm] Pleated MERV11 Throwaway, in [mm]	28 x 24 [712 x 610]	32 x 29.5 [813 x 749]
Weight - Operating, lbs [kg]	250 [113]	382 [173]
Weight - Packaged, lbs [kg]	260 [118]	392 [178]
Horizontal		
Air Coil Dimensions (H x W), in [mm]	18 x 31 [457 x 787]	20 x 40 [508 x 1016]
Standard Filter - 2" [25.4mm] Pleated MERV11 Throwaway, in [mm]	2 - 18 x 18 [457 x 457]	1 - 18 x 20 [457 x 508] 1 - 20 x 24 [508 x 610]
Weight - Operating, lbs [kg]	250 [113]	382 [173]
Weight - Packaged, lbs [kg]	260 [118]	392 [178]

Unit Airflow Configurations



Dimensions – Vertical Upflow Trilogy 45

Legend
 CAP= Control Access Panel
 CSP=Compressor Service Panel
 BSP=Blower Service Panel
 PSP=Pump and Flow Meter Service Panel



Vertical Upflow Model	Overall Cabinet			
	A Width	B Depth	C Height	
0930	in	22.4	25.6	52.0
	cm	56.8	65.1	132.1
1860	in	25.4	30.6	56.0
	cm	64.5	77.8	142.2

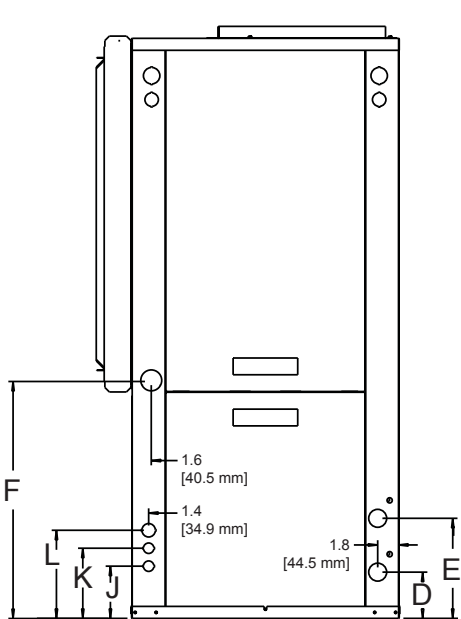
Vertical Upflow Model	Discharge Connection Duct Flange Installed					Return Connection Standard Deluxe Filter Rack				
	M Left Return	N	O Supply Width	P Supply Depth	Q Right Return	R	S Return Depth	T Return Height	U	
0930	in	7.8	5.8	14.0	14.0	4.9	1.7	22.2	26.2	1.7
	cm	18.3	14.8	35.6	35.6	12.4	4.3	56.4	66.5	4.3
1860	in	6.4	6.3	18.0	18.0	5.3	1.7	27.2	30.2	1.7
	cm	16.1	16.0	45.7	45.7	13.5	4.3	69.1	76.7	4.3

Dimensions – Vertical Upflow Trilogy 45

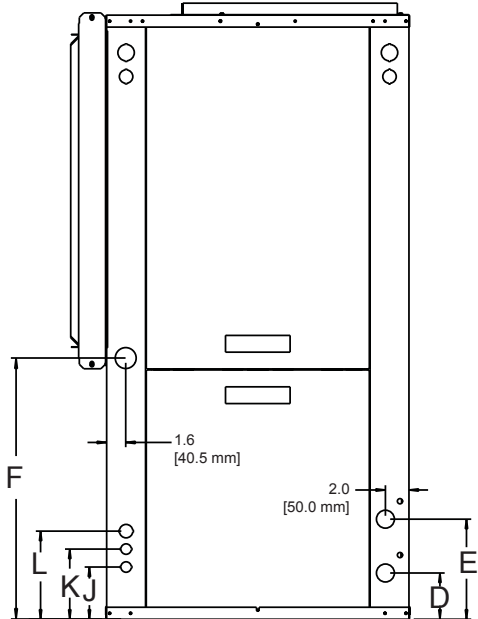
Vertical Upflow Model		Water Connections					
		D	E	F	Loop Water FPT	HWG FPT	Cond. Drain
		In	Out	Condensate			
0930	in cm	3.82 9.7	8.32 21.1	22.93 58.2	1" Swivel	1" Swivel	3/4" MPT
1860	in cm	3.82 9.7	8.32 21.1	22.93 58.2	1" Swivel	1" Swivel	3/4" MPT

Vertical Upflow Model		Electrical Knockouts		
		J	K	L
		1/2" cond Low Voltage	1/2" cond Ext Pump	3/4" cond Power Supply
0930	in cm	3.81 9.7	5.43 13.8	7.18 18.2
1860	in cm	3.81 9.7	5.43 13.8	7.18 18.2

Condensate connection is 3/4" MPT and is located on the air coil side of the front of the unit.
 Unit shipped with deluxe duct collar/filter frame extending from unit 3" [7.6cm] and is suitable for duct connection.
 Discharge flange is field installed.



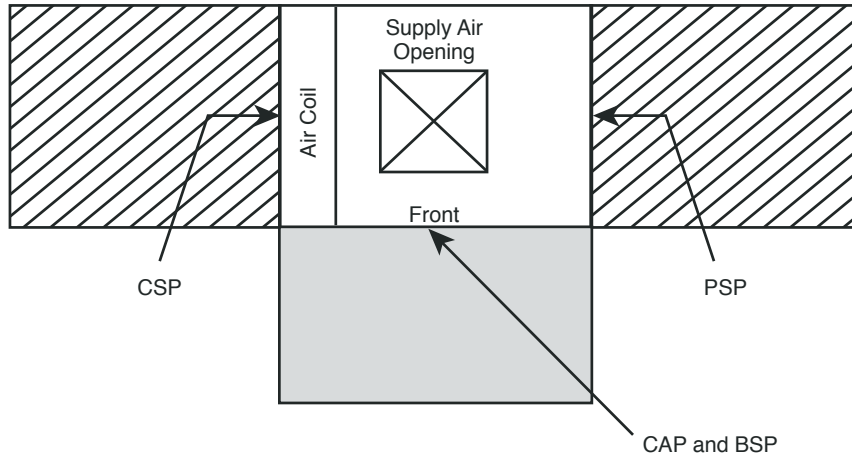
**Front-View
VE0930**



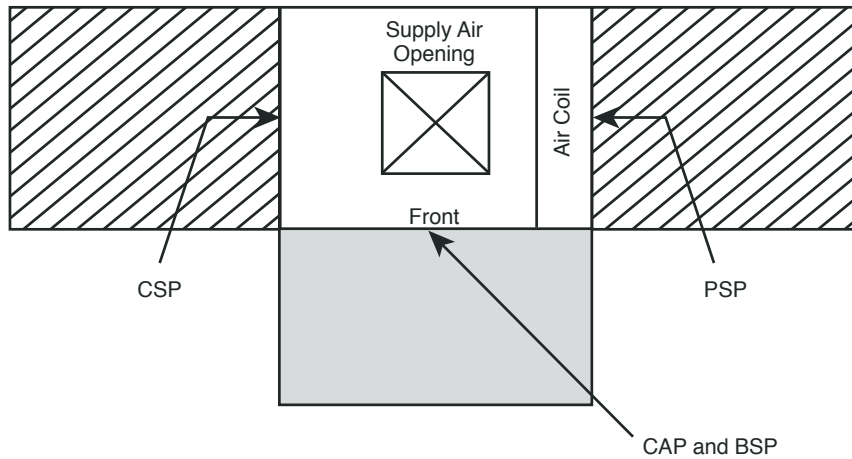
**Front-View
VE1860**

Service Access – Vertical Upflow Trilogy 45

Left Return



Right Return



 = mandatory 2' service access

 = (optional) additional 2' service access

Notes:

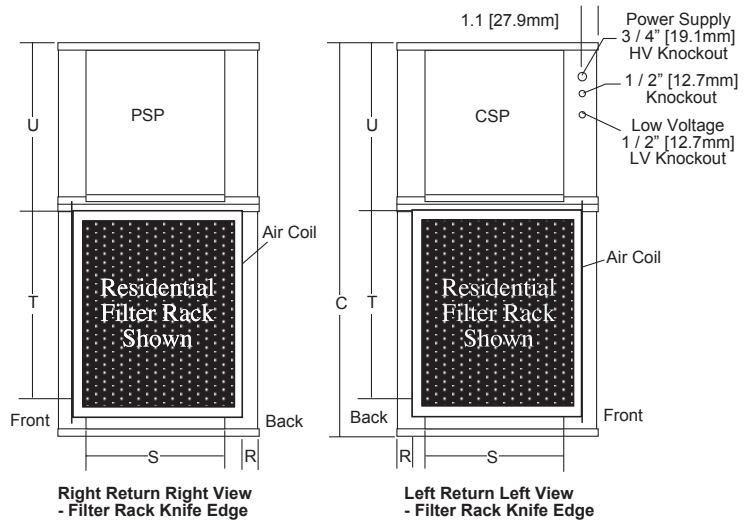
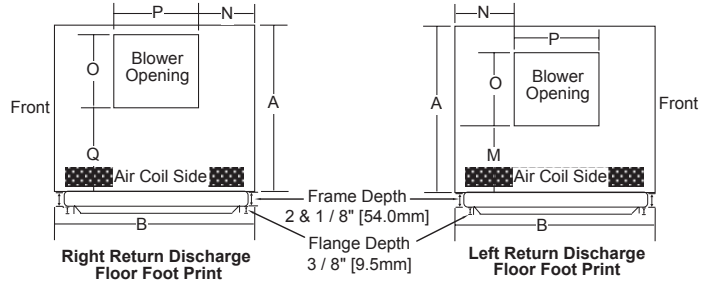
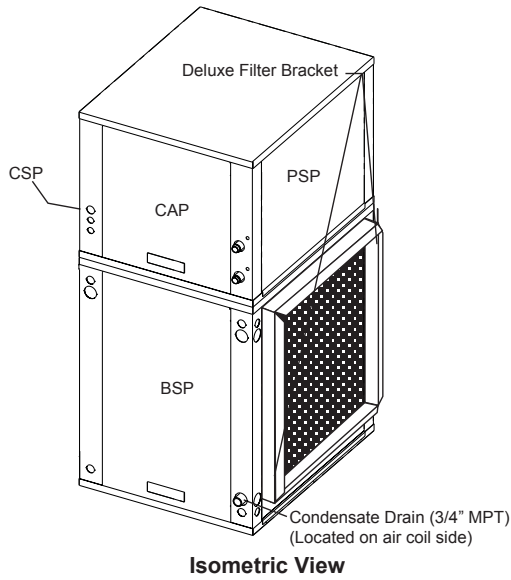
1. While clear access to all removable panels is not required, installer should take care to comply with all building codes and allow adequate clearance for future field service.
2. Front & Side access is preferred for improved service access. However, side access is not required if it is acceptable to slide the unit forward into the open if a compressor, pump volute, or heat exchanger replacement is required.
3. Top supply air is shown, the same clearances apply to bottom supply air units.

Legend:

CAP = Control/Compressor Access Panel
 BSP = Blower Service Panel
 CSP = Compressor Service Panel
 PSP = Pump and Flow Meter Service Panel

Dimensions – Vertical Downflow Trilogy 45

Legend
 CAP= Control Access Panel
 CSP=Compressor Service Panel
 BSP=Blower Service Panel
 PSP=Pump and Flow Meter Service Panel



Vertical Downflow Model		Overall Cabinet		
		A Width	B Depth	C Height
0930	in	22.4	25.6	56.0
	cm	56.8	65.1	142.2
1860	in	25.4	30.6	60.0
	cm	64.5	77.8	152.4

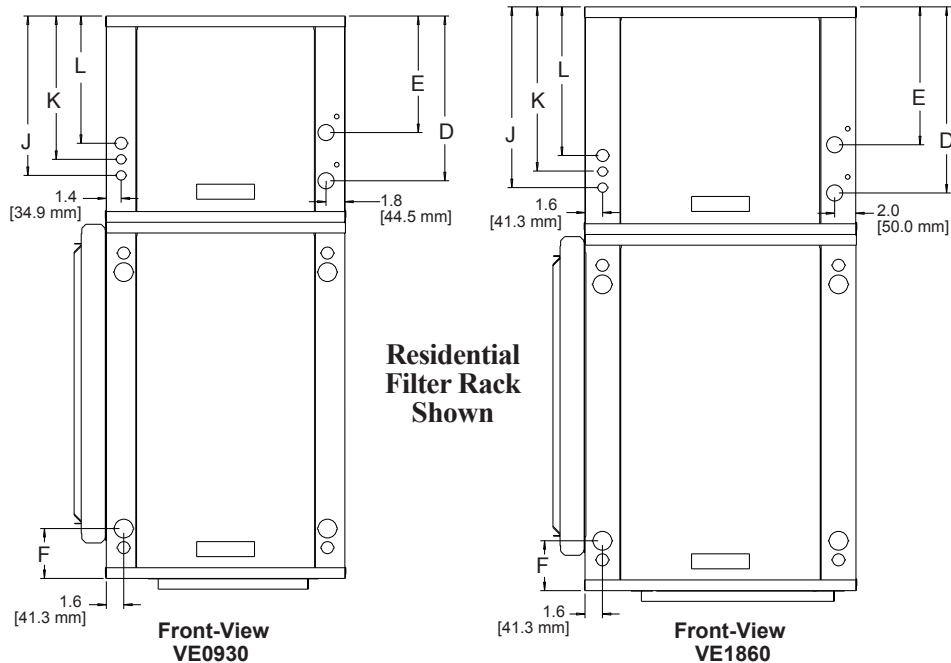
Vertical Downflow Model		Discharge Connection Duct Flange Installed					Return Connection Standard Deluxe Filter Rack			
		M Left Return	N	O Supply Width	P Supply Depth	Q Right Return	R	S Return Depth	T Return Height	U
0930	in	6.7	8.4	9.9	9.1	10.8	1.7	22.2	26.2	21.9
	cm	17.1	21.4	25.3	23.0	27.4	4.3	56.4	66.5	55.6
1860	in	7.4	9.0	13.1	12.9	10.4	1.7	27.2	30.2	23.9
	cm	18.7	22.9	33.3	32.7	26.5	4.3	69.1	76.7	60.7

Dimensions – Vertical Downflow Trilogy 45

Vertical Downflow Model		Water Connections					
		D	E	F	Loop Water FPT	HWG FPT	Cond. Drain
		In	Out	Condensate			
0930	in cm	18.36 46.6	13.87 35.2	4.62 11.7	1" Swivel	1" Swivel	3/4" MPT
1860	in cm	18.36 46.6	13.87 35.2	4.62 11.7	1" Swivel	1" Swivel	3/4" MPT

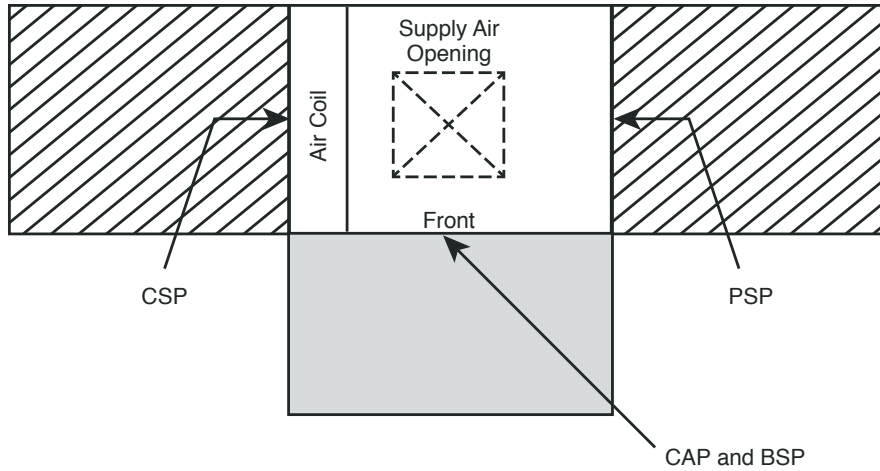
Vertical Downflow Model		Electrical Knockouts		
		J	K	L
		1/2" cond	1/2" cond	3/4" cond
		Low Voltage	Ext Pump	Power Supply
0930	in cm	17.62 44.7	16.25 41.3	14.62 37.1
1860	in cm	17.62 44.7	16.25 41.3	14.62 37.1

Condensate connection is 3/4" MPT and is located on the air coil side of the front of the unit.
 Unit shipped with deluxe duct collar/filter rack extending from unit 3" [7.6cm] and is suitable for duct connection.
 Downflow unit does not have discharge flange, and is rated for zero clearance installation.

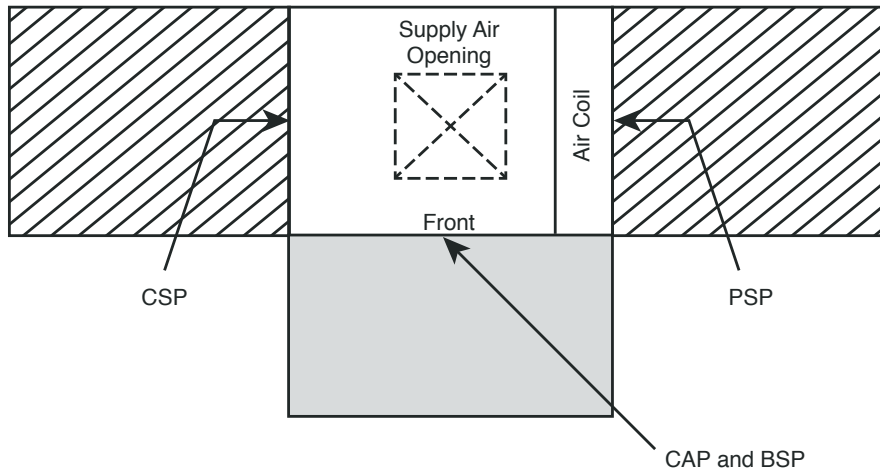


Service Access – Vertical Downflow Trilogy 45

Left Return



Right Return



 = mandatory 2' service access

 = (optional) additional 2' service access

Notes:

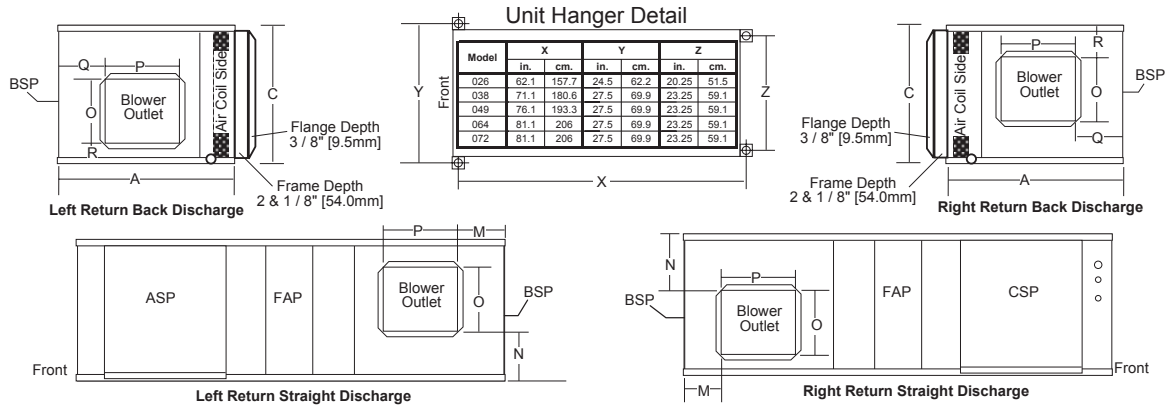
1. While clear access to all removable panels is not required, installer should take care to comply with all building codes and allow adequate clearance for future field service.
2. Front & Side access is preferred for improved service access. However, side access is not required if it is acceptable to slide the unit forward into the open if a compressor, pump volute, or heat exchanger replacement is required.
3. Top supply air is shown, the same clearances apply to bottom supply air units.

Legend:

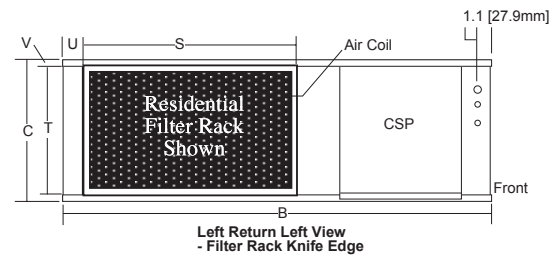
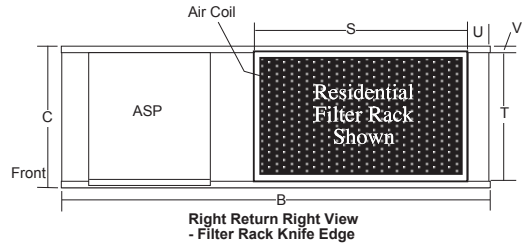
CAP = Control/Compressor Access Panel
 BSP = Blower Service Panel
 CSP = Compressor Service Panel
 PSP = Pump and Flow Meter Service Panel

Dimensions – Horizontal Trilogy 45

Legend
 CAP= Control Access Panel
 CSP=Compressor Service Panel
 BSP=Blower Service Panel
 PSP=Pump and Flow Meter Service Panel
 FAP=Filter Drier Access Panel

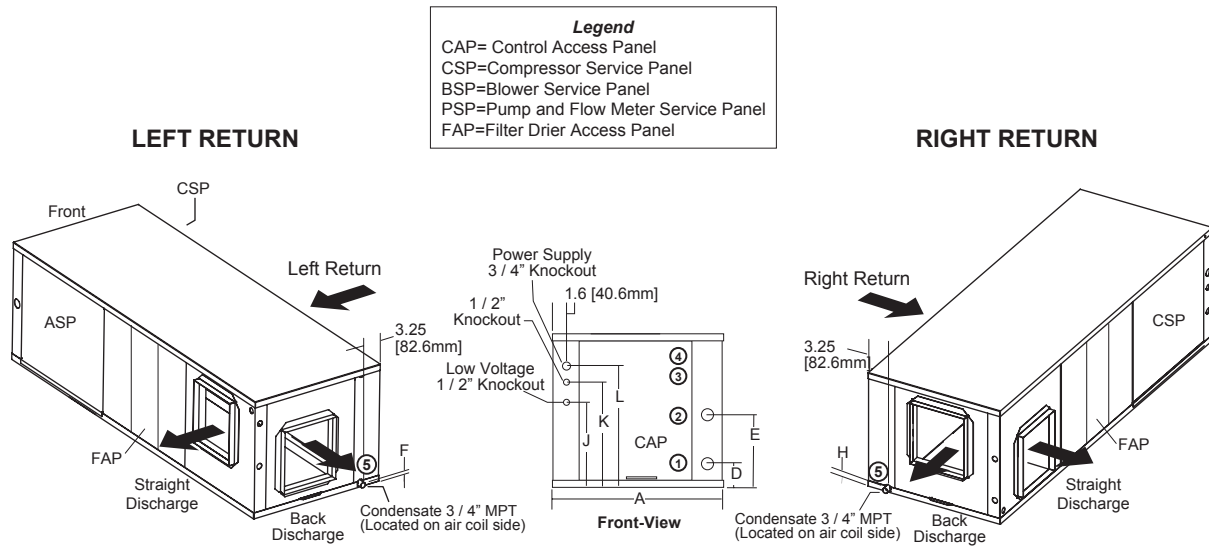


Horizontal Model	Overall Cabinet			
	A Width	B Depth	C Height	
0930	in	22.5	62.2	22.3
	cm	57.2	158.0	56.6
1860	in	25.4	76.2	22.3
	cm	64.5	193.5	56.6



Horizontal Model		Discharge Connection Duct Flange Installed						Return Connection Standard Deluxe Filter Rack			
		M	N	O Supply Height	P Supply Width	Q	R	S Return Depth	T Return Height	U	V
0930	in	3.58	1.74	15.48	12.5	3.58	5.03	34.05	16.7	2.02	3.75
	cm	9.1	4.4	39.3	31.8	9.1	12.8	86.5	42.4	5.1	9.5
1860	in	3.1	1.2	19.0	17.5	3.09	2.04	39.58	18.16	3.22	2.3
	cm	7.9	3.1	48.3	44.4	7.8	5.2	100.5	46.1	8.2	5.8

Dimensions – Horizontal Trilogy 45



Vertical Downflow Model		Water Connections					
		D	E	F	Loop Water FPT	HWG FPT	Cond. Drain
		In	Out	Condensate			
0930	in cm	3.82 9.6	8.32 21.1	19.56 49.7	1" Swivel	1" Swivel	3/4" MPT
1860	in cm	3.82 9.6	8.32 21.1	19.56 49.7	1" Swivel	1" Swivel	3/4" MPT

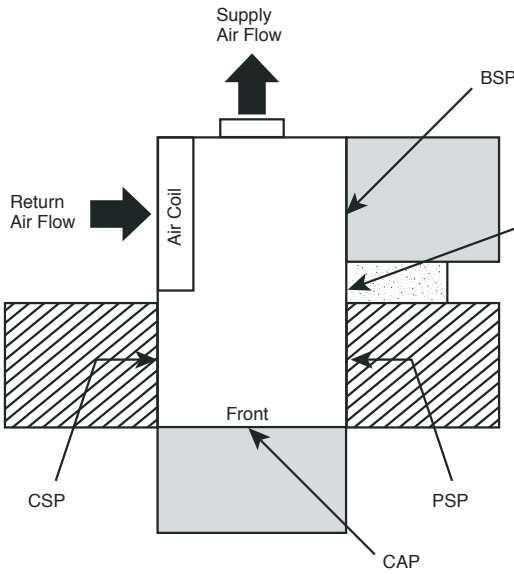
Vertical Downflow Model		Electrical Knockouts		
		J	K	L
		1/2" cond Low Voltage	1/2" cond Ext Pump	3/4" cond Power Supply
0930	in cm	3.81 9.7	5.43 13.8	7.18 18.2
1860	in cm	3.81 9.7	5.43 13.8	7.18 18.2

Condensate is 3/4" MPT.

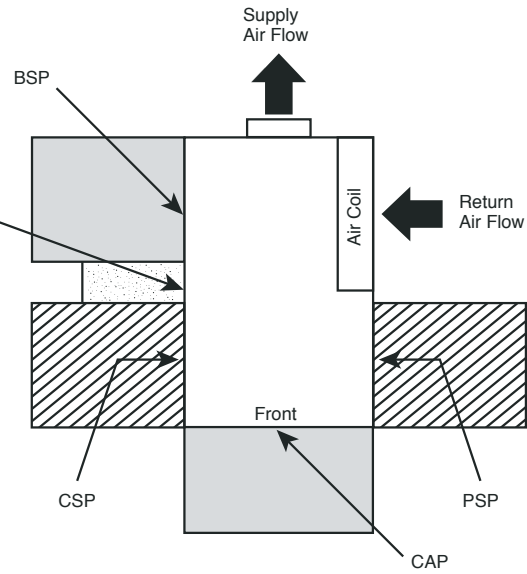
Unit shipped with deluxe duct collar/filter rack extending from unit 3" [7.6cm] and is suitable for duct connection. Discharge flange and hanger brackets are factory installed.

Service Access – Horizontal Trilogy 45

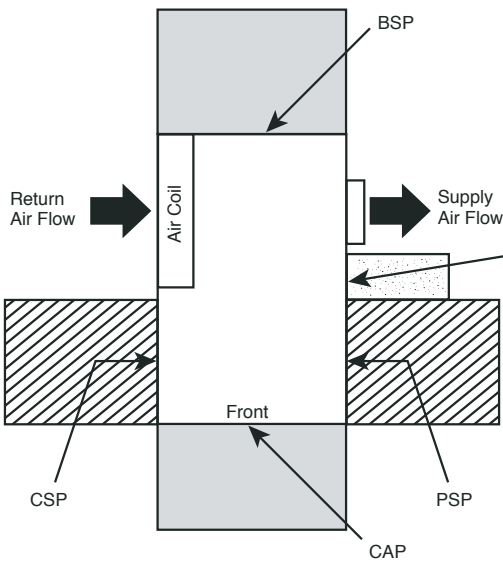
Left Return Back Discharge



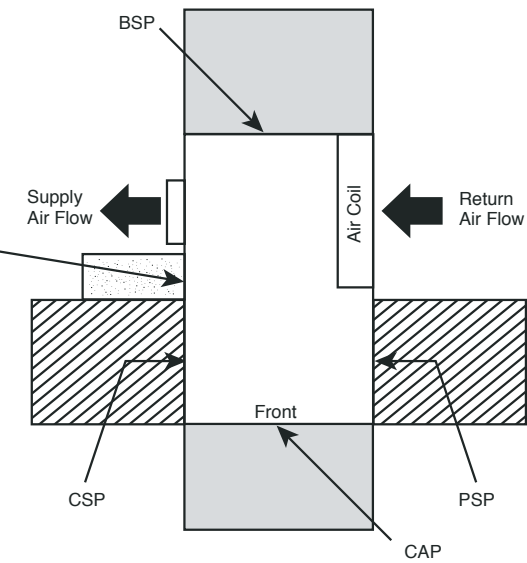
Right Return Back Discharge



Left Return Straight Discharge



Right Return Straight Discharge



Notes:

1. While clear access to all removable panels is not required, installer should take care to comply with all building codes and allow adequate clearance for future field service.
2. CCP and BSP requires 2' service access.
3. Blower service access is through back panel on straight discharge units or through panel opposite air coil on back discharge units.
4. Side access is not required if it is acceptable to drop the unit if major service such as compressor, pump volute, heat exchanger, or filter drier replacement is required.

= mandatory 2' service access

= (optional) additional 2' service access

Legend:

- CAP = Control Access Panel
- BSP = Blower Service Panel
- CSP = Compressor Service Panel
- PSP = Pump and Flow Meter Service Panel
- FAP = Filter Drier Access Panel

Electrical Data

Trilogy (VE) Series with Internal Flow Controller

VE Model	Rated Voltage	Compressor		Ext Loop FLA	Fan Motor FLA	Total Unit FLA	Min Circ Amp	Max/ Fuse HACR
		RLA	LRA					
0930	208/230/60/1	20.0	20.0	1.44	3.9	25.3	30.3	50
1860	208/230/60/1	32.0	32.0	1.44	6.9	40.3	48.3	80

Rated Voltage of 208/230/60/1
HACR circuit breaker in USA only

Min/Max Voltage of 197/254
All fuses Class RK-5

ECM Blower Performance Data

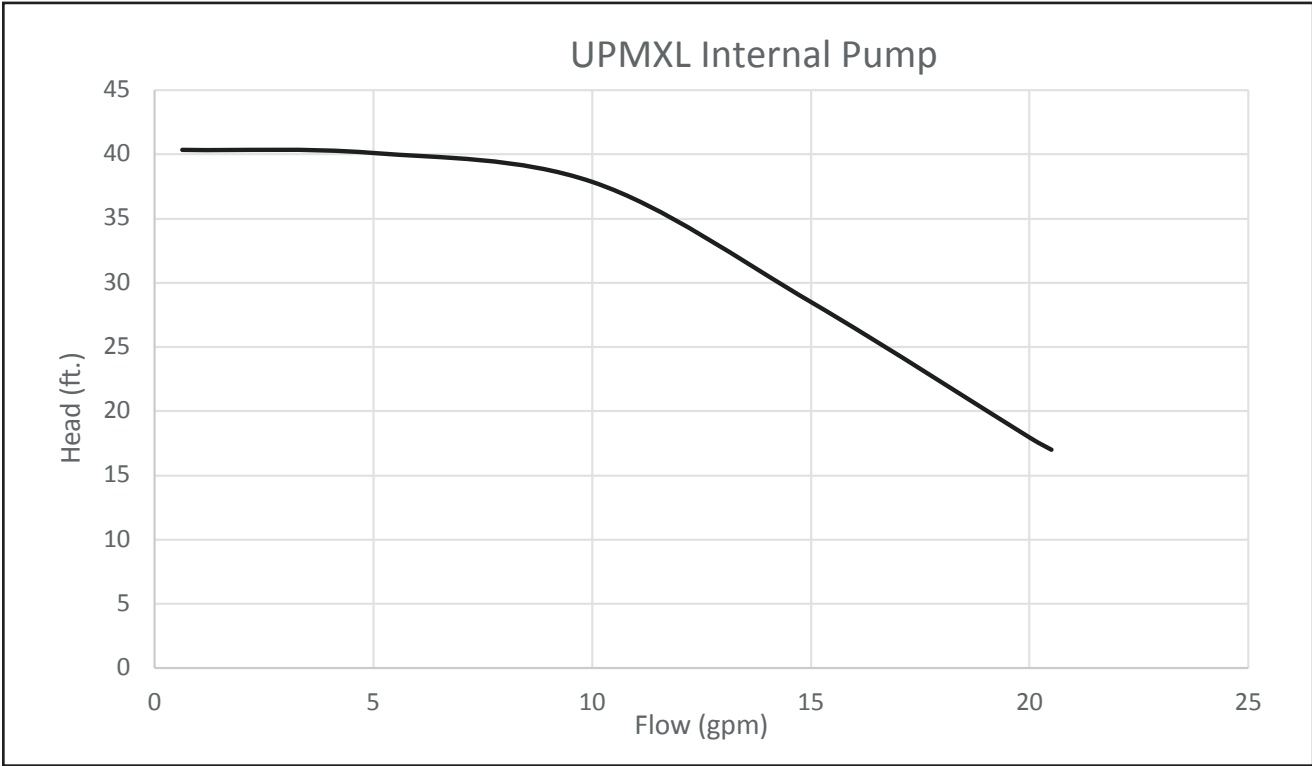
Airflow in CFM with wet coil and clean air filter

Trilogy® Model	Max ESP (in wg)	Fan Motor (hp)	Range	Capacity	Cooling Mode	Dehum	Heating Mode	Fan Only Mode	Aux Emerg Mode
0930	0.45 at 1125; 0.75 at 1000	1/2	Default	9,000	300	275	300	350	850
				12,000	425	375	425		
				15,000	500	450	500		
				18,000	600	525	600		
				21,000	700	600	700		
				24,000	775	675	775		
				27,000	875	750	875		
				30,000	950	800	950		
			Minimum	9,000	225	225	200	225	700
				12,000	275	275	225		
				15,000	325	325	300		
				18,000	425	425	375		
				21,000	500	500	450		
				24,000	575	575	525		
				27,000	650	650	600		
				30,000	750	750	700		
			Maximum	9,000	375	375	375	1125	1125
				12,000	525	525	525		
				15,000	650	650	650		
				18,000	750	750	750		
				21,000	850	850	850		
				24,000	975	975	975		
				27,000	1075	1075	1075		
				30,000	1125	1125	1125		
1860	0.45 at 2250; 0.75 at 2000	1	Default	18,000	600	525	600	700	1500
				24,000	775	675	775		
				30,000	975	825	975		
				36,000	1150	1000	1150		
				42,000	1325	1150	1325		
				48,000	1525	1325	1525		
				54,000	1700	1475	1700		
				60,000	1875	1625	1875		
			Minimum	18,000	425	425	375	425	1350
				24,000	575	575	525		
				30,000	725	725	675		
				36,000	875	875	800		
				42,000	1025	1025	950		
				48,000	1200	1200	1075		
				54,000	1350	1350	1225		
				60,000	1500	1500	1375		
			Maximum	18,000	750	750	750	2250	2250
				24,000	975	975	975		
				30,000	1175	1175	1175		
				36,000	1400	1400	1400		
				42,000	1600	1600	1600		
				48,000	1825	1825	1825		
				54,000	2025	2025	2025		
				60,000	2250	2250	2250		

Airflow is controlled within 5% up to the Max ESP shown with wet coil

Pump Curves Data

High Head Variable Pump with Check Valve



Auxiliary Electric Heat

Auxiliary Heat Ratings

Auxiliary Electric Heat Model	VE Models		kW Rating		Btuh Rating		Minimum CFM Required
	0930	1860	240V	208V	240V	208V	
AGM4A			3.8	2.9	13000	9900	500
AGM5A			4.8	3.6	16300	12300	500
AGM8A			7.6	5.7	25900	19400	650
AGM10A			9.6	7.2	32700	24600	650
AGL4A			3.8	2.9	13000	9900	500
AGL10A			9.6	7.2	32700	24600	1300
AGL15A			14.4	10.8	49100	36900	1350
AGL20A			19.2	14.4	65500	49200	1350

Black area denotes compatibility

Note: Horizontal units rated for zero clearance unit and 1" clearance for the first three feet of duct, Vertical units rated for zero clearance for both unit and duct.

Auxiliary Heat Electrical Data

Auxiliary Electric Heat Model	Supply Circuit	Heater Amps		Minimum Circuit Amps		Maximum Fuse	
		208 V	230 V	208 V	230 V	208 V	230 V
AGM4A	Single	13.7	15.1	17.1	18.9	30	30
AGM5A	Single	17.3	19.2	21.6	24.0	30	40
AGM8A	Single	27.4	30.3	34.3	37.9	60	60
AGM10A	Single	34.7	38.3	43.4	47.9	70	80
AGL10A	Single	34.7	38.3	43.4	47.9	70	80
AGM12A	Single	41.1	45.4	51.4	56.8	90	100
	Dual - L1/L2	27.4	30.3	34.3	37.9	60	60
	Dual - L3/L4	13.7	15.1	17.1	18.9	30	30
AGL15A	Single	52.0	57.5	65.0	71.9	100	100
	Dual - L1/L2	34.7	38.3	43.4	47.9	70	80
	Dual - L3/L4	17.3	19.2	21.6	24.0	30	40
AGL20A	Single	69.3	76.6	86.6	95.8	150	150
	Dual - L1/L2	34.7	38.3	43.4	47.9	70	80
	Dual - L3/L4	34.7	38.3	43.4	47.9	70	80

All heaters rated single phase 208/230 V 60 Hz

All Fuses UL Class K general purpose

All models 12 kW or larger feature internal circuit breakers

Accessories, Options, and Warranty

Accessories & Options

iGate Connect web-enabled thermostat

The iGate Connect (AWC99**) is the industry's first communicating web-enabled thermostat that allows dealers to monitor performance and make configuration changes from anywhere using a web enabled device like a computer, Smart Phone or tablet. iGate Connect also offers homeowners access to their thermostat on the internet to perform tasks like changing set-points, schedules, schedule vacation, set reminders and view alerts. The system also emails alerts and reminders to homeowners and dealers.

iGate Connect (AWC99) is the ONLY thermostat compatible with the Trilogy system.

AWC99 is a programmable variable-stage auto-changeover electronic digital thermostat and offers completely variable operation of the Trilogy heat pump.

iGate ClimaZone™

This optional addition to the Trilogy 45 is a zoning system (AZC06CAR) that allows a single unit to be controlled by multiple iGate Connect thermostats, conditioning the home in smaller zones instead of a single large zone. The Trilogy system accommodates six zones with a single zone panel or up to twelve zones with the addition of a second panel. With zoning a home is more comfortable and the HVAC system more efficient by directing conditioned air only when and where it is needed giving the homeowner complete control over their cooling and heating. System configuration and diagnostics are available via the Trilogy PC service tool.

Auxiliary Heater (field installed)

An optional, internal, field-installed electric heater provides supplemental and/or emergency heat capability when used with the three stage heating thermostat. (Heater is externally mounted on horizontal units).

Warranty Information

ClimateMaster residential class heat pumps are backed by a ten-year limited warranty on all unit parts, including the following accessories when installed with ClimateMaster units: Flow Controllers, Thermostats & Electric Heaters.

ClimateMaster goes even further to back up its commitment to quality by including a service labor allowance for the first five years on unit parts and thermostats, auxiliary electric heaters and geothermal pumping modules.

See ClimateMaster's 2010 Limited Express Residential Warranty Certificate RP851 for specific coverage and limitation.

The Optional Extended Factory Service Labor Allowance Warranty offers additional length of term protection to the consumer by offsetting service labor costs for 10 years.

To order this warranty, contact your ClimateMaster distributor. This coverage must be purchased within 90 days of unit installation. See Limited Express Extended Labor Warranty Certificate RP852 for details.

Notes:

Notes:

Revision History

Date	Page #	Description
22 May, 2024	Various	Updated decoder, graphics, tables, terminology, and diagrams
	48	Updated Customer Experience phone number and title
22 Dec., 2021	38	Updated Electrical Data for 1860 Revision B, moved Unit Airflow Configurations to separate page
29 Nov., 2021	16, 17, 49, 50	Minor edits, Updated Decoder, insertion of revised diagrams
30 Sept., 2021	8, 11, 12	Added iGate2 and myUplinkPRO information
23 June, 2021	20-27	Added Compressor Speed %
17 Feb. 2021	28, 38, 40	Updated tables
28 Oct., 2019	16	Updated Decoder
20 Sept. 2019	Pg. 41	Updated Pump Curve Data
18 Sept. 2019	Various	Insert new diagram edits
5 Sept. 2019	All	First Published



7300 S.W. 44th Street
 Oklahoma City, OK 73179
 Phone: 1-800-299-9747
 Fax: 405-745-6058
 climatemaster.com

ClimateMaster works continually to improve its products. As a result, the design and specifications of each product at the time for order may be changed without notice and may not be as described herein. Please contact ClimateMaster's Customer Service Department at 1-800-299-9747 for specific information on the current design and specifications. Statements and other information contained herein are not express warranties and do not form the basis of any bargain between the parties, but are merely ClimateMaster's opinion or commendation of its products.

Engineered and assembled in the USA

© ClimateMaster, Inc. All rights reserved 2019

ClimateMaster: Declare your personal energy independence.