

iGate® ClimaZone™ Zoning Panel



Take control of your comfort needs with the iGate® ClimaZone™. A zoning system that gives you the power to direct your heating or cooling to the rooms or zones where needed. Giving you complete comfort in your home.

Cooling zones that are warm due to long hours of direct sunlight or warming rooms with vaulted ceilings that have a difficult time retaining heat can be difficult. iGate® ClimaZone™ is the perfect solution giving you the ability to set up to 12 zones* in your home. Each zone being controlled by an iGate® Connect thermostat regulating the heating and cooling, providing desired temperatures consistently for your entire home.

iGate® ClimaZone™ is ONLY compatible with the Trilogy® Q-Mode® system and the iGate® Connect thermostat.

**Each iGate ClimaZone is able to support 6 zones with up to two iGate ClimaZones per Trilogy Q-Mode System.*

Features

- Designed for use with Trilogy Q-Mode System
- Compatible with new and existing Trilogy systems
- One unit accommodates up to six zones with a single zone panel or up to twelve zones with two zone panels
- Each zone may have up to 3 dampers (purchased separately)
- iGate Connect thermostat controls each zone and provides internet-connected communications
- System configuration and diagnostics available via ClimateMaster Trilogy PC Service Tool

Application Flexibility

Zoning Components

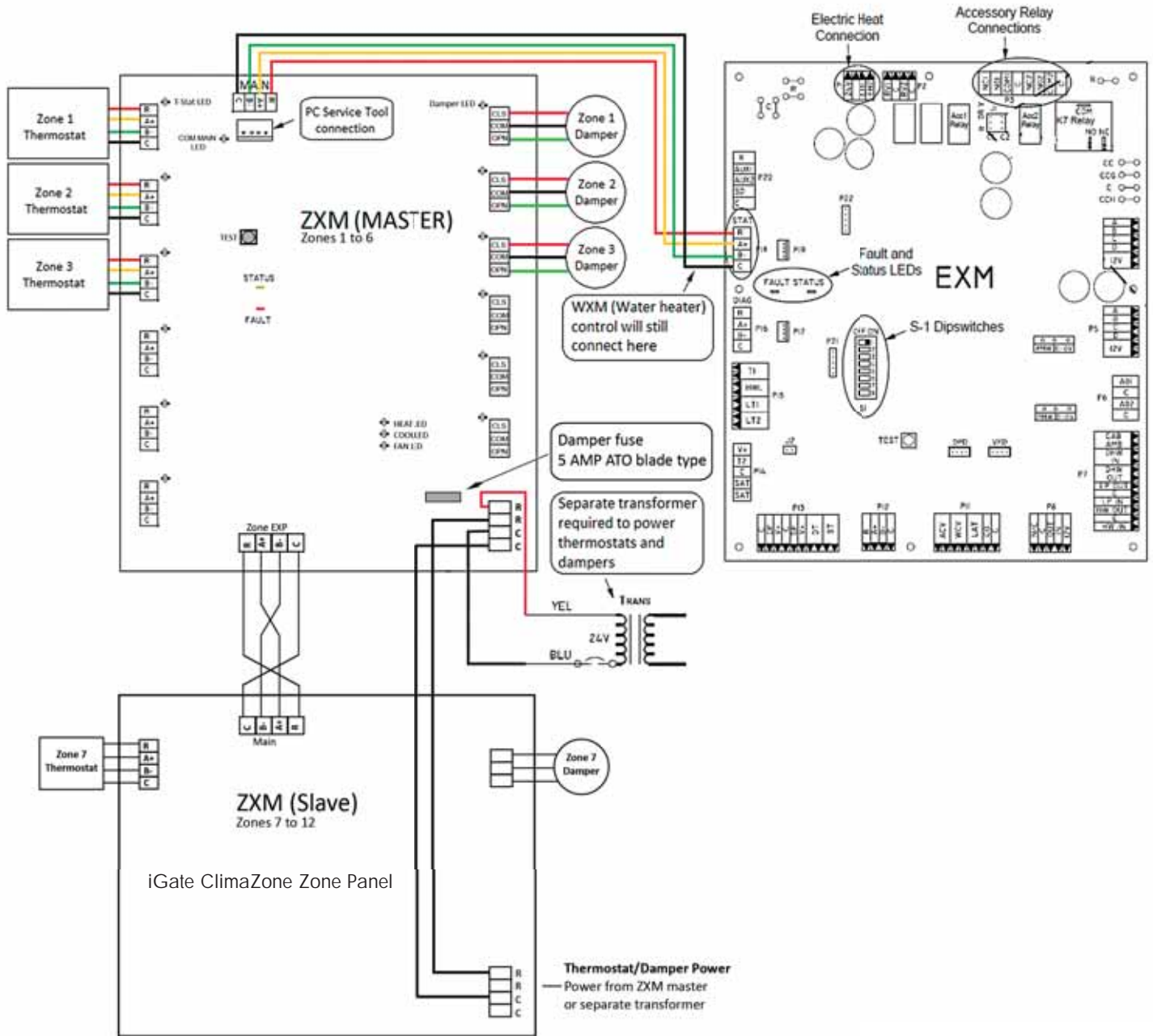
- iGate ClimaZone Zone Panel – Up to 2 per Trilogy System
- iGate Connect Thermostat – 1 per Zone
- Zone Damper – Up to 3 per Zone
- Transformer – for Damper and Thermostat Power
- Trilogy PC Service Tool Outdoor Temperature Sensor
- Indoor Remote Temperature Sensor
- Wall Mounted Remote Indoor Temperature Sensor

CLIMATEMASTER® GEOTHERMAL HEATING AND COOLING

DECLARE YOUR PERSONAL ENERGY INDEPENDENCE

iGate® ClimaZone™ Zoning Panel

Dimensions and Connections



7300 S.W. 44th Street
 Oklahoma City, OK 73179
 Phone: 405-745-6000
 Fax: 405-745-6058
 climatemaster.com | cmdealernet.com



ClimateMaster works continually to improve its products. As a result, the design and specifications of each product at the time for order may be changed without notice and may not be as described herein. For specific information on the current design and specifications go to cmdealernet.com. Statements and other information contained herein are not express warranties and do not form the basis of any bargain between the parties, but are merely ClimateMaster's opinion or commendation of its products.

Engineered and Assembled in the USA