

ClimateMaster

814 Series

814 DECODER
009-031

Water Source Horizontal Heat Pump (Sizes 009-031)

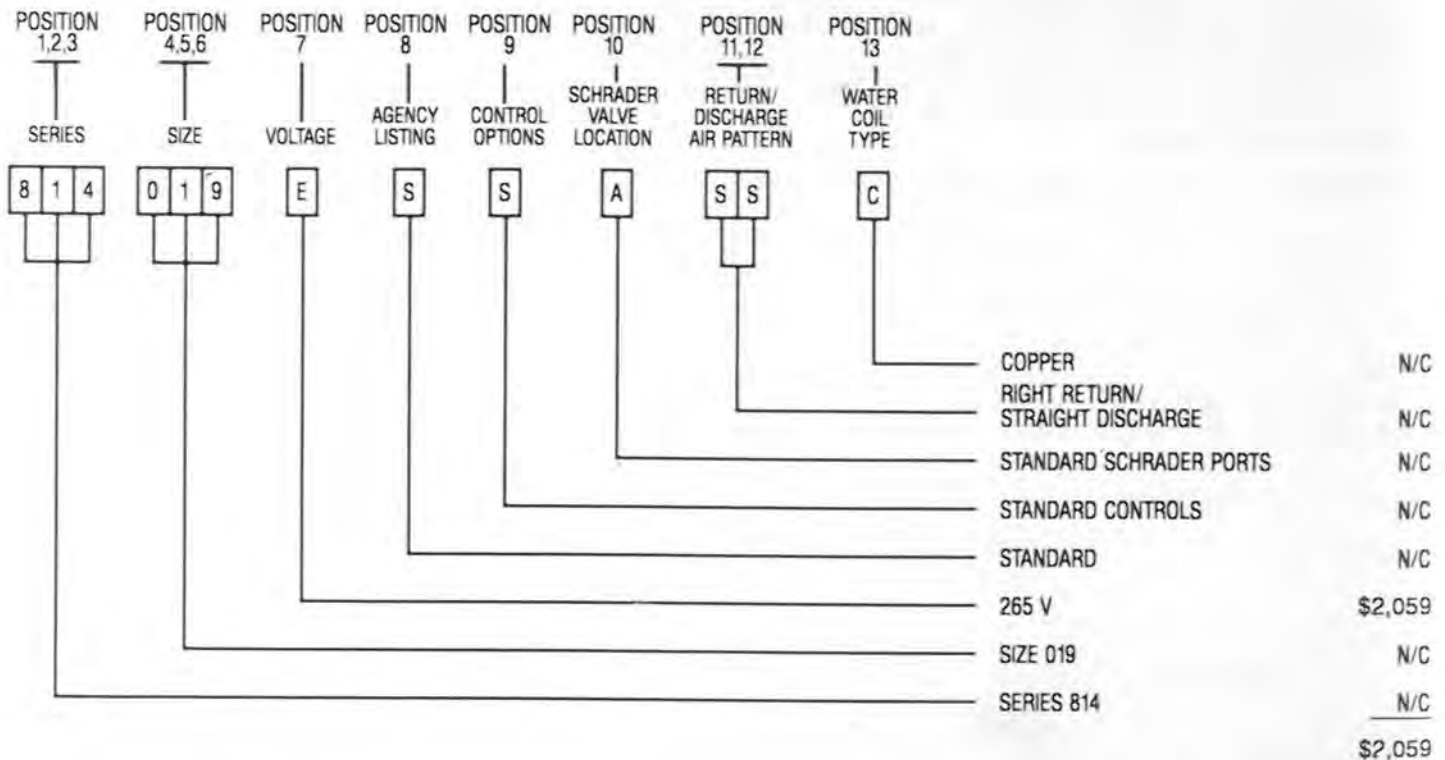
Pricing Policy:

This price sheet supersedes the price sheet dated February 4, 1989 and any subsequent addendums issued in letters to the field.

1. Freight terms are "FOB Shipping Point," Full Freight Allowed. On shipments to Canada, Alaska and Hawaii, Freight terms are "FOB Shipping Point," Full Freight Allowed to the U.S. Border. Normal shipment is by truck; if premium transportation is requested, the extra cost must be borne by the requester.
2. Warranty: The standard warranty on units, controls, and accessories is one year no labor.
3. Check, test and start is usually the responsibility of the installing contractor, therefore, our prices do not include any check, test and start monies. If it must be added, it is the responsibility of the representative to include the money in his quotation.
4. Terms of Sale are net 30 days. Credit must be approved or terms agreed upon before any equipment will be shipped.
5. Project information and a credit application must be filed with the Credit Department, and where applicable, a sales tax certification.
6. List Price deducts are indicated by () around the amount.

Ordering/Pricing Example:

814 Series Water Source Horizontal Heat Pump



814SS-1

814 Series

Water Source Horizontal Heat Pump (Sizes 009-031)

Standard Heat Pump—Base Unit Prices:

(Positions 1, 2, 3 indicate heat pump or cooling only)

814 – Standard Heat Pump

914 – Cooling Only: List Deduct (\$42)

(Positions 4, 5, 6, 7 indicate capacity and voltage options)

		POSITION 7						
		A 115V	E 265V	F 460 3PH	G 208/230	H 208/230 3PH	V 200/240 50HZ	U 380 3PH 50HZ
POSITIONS 4, 5, 6	009	\$1,756	\$1,600	N/A	\$1,596	N/A	\$1,600	N/A
	011	\$1,854	\$1,609	N/A	\$1,685	N/A	\$1,609	N/A
	013	\$1,865	\$1,695	N/A	\$1,693	N/A	\$1,695	N/A
	019	N/A	\$2,059	N/A	\$1,967	N/A	\$2,059	N/A
	023	N/A	\$2,167	N/A	\$2,140	N/A	\$2,167	N/A
	031	N/A	\$2,426	\$2,506	\$2,233	\$2,461	\$2,426	\$2,506

NOTES:

N/A = Not Available

Control Options:

(Positions 8, 9 indicate available control options)

		POSITIONS 8, 9						
		SS	SA	SH	SR	SP	SG	SC
LIST PRICE		\$ 0	\$34	\$34	\$28	\$26	\$63	\$32

NOTES:

SH = Standard Controls

SA = Standard Controls, with Service Signal to Thermostat

SH = Standard Controls, with High Level Condensate Switch

SR = Standard Controls, with Random Start Relay

SP = Standard Controls, with 24V Normally Open, Random Start, Control Relay

SG = Standard Controls, with Anti Short Cycle Timer

SL = Standard Controls, with Lookout Reset at Disconnect

Schrader Ports:

(Position 10 indicates Schrader port)

		POSITION 10	
		A	C
LIST PRICE		\$ 0	\$39

NOTES:

A = Standard Schrader Ports (High and Low Side)

C = Schrader Port located between Reversing Valve and Water Coil, for Use with Dual Acting Water Regulating Valve

Air Flow Patterns:

(Positions 11, 12 indicate available air flow patterns)

		POSITIONS 11, 12			
		SS	LS	LB	RB
LIST PRICE		\$ 0	\$28	\$28	\$28

NOTES:

SS = Right Return/Straight Discharge

LS = Left Return/Straight Discharge

LB = Left Return/Back Discharge

RB = Right Return/Back Discharge

The Front of the Unit is where the Water Connections are Located

Water Coil Types:

(Position 13 indicates available water coil types)

POSITION 13	
C	N
LIST PRICE \$ 0	\$ 84

NOTES:
 C = Std. Copper Coil
 N = Cupro-Nickel Coil

ACCESSORIES

814 Series

Thermostats/Subbases

CLIMATEMASTER PART NUMBER	VENDOR REF. NUMBER	APPLICATION	LIST PRICE
AT4175/AQ4766	T834A1675/Q634G1066	SINGLE STAGE MANUAL CHANGEOVER	\$ 59
AT5812/AQ5355	T874H1112/Q674C1355	SINGLE STAGE AUTOMATIC CHANGEOVER	\$ 173
AT5784/AQ5323	T874G1584/Q674C1223	SINGLE STAGE ACO, WITH NSB	\$ 194
AT5930/AQ5215	T874P1022/Q674B1315	SINGLE STAGE MCO WITH NSB OVERRIDE SWITCH AND SERVICE LEDS	\$ 198
AT5930/AQ5315	T874P1022/Q674C1215	SINGLE STAGE ACO, WITH NSB AND OVERRIDE INCLUDES OVERRIDE AND SERVICE LEDS	\$ 198
AT0910	HP-2	SINGLE OR TWO STAGE PROGRAMMABLE (ACO/MCO)	\$ 434
AT12124	T841A1324	SINGLE STAGE MCO INCLUDES SUBBASE, EMERGENCY AND AUXILIARY HEAT LEDS	\$ 152
AT12234	T841B	SINGLE STAGE MCO INCLUDES SUBBASE AND NO LEDS	\$ 129
AT0907		SINGLE STAGE DIGITAL ACO/MCO STAT	\$ 145
AT0906		REMOTE SENSOR FOR AT0907 OR AT0910	\$ 27

THERMOSTAT COVERS

CLIMATEMASTER PART NUMBER	VENDOR PART NUMBER	DESCRIPTION	LIST PRICE
AM5045	TG500A1045	CLEAR PLASTIC COVER FOR ALL HONEYWELL T'STATS	\$ 39
AM5060	TG500A1060	BEIGE PLASTIC COVER FOR ALL HONEYWELL T'STATS	\$ 39
AM5409	TG504A1009	LOCKING COVER FOR AT5784, 5930, 5854, 5411	\$ 54
AM5417	TG504A1017	LOCKING COVER/EXTERNAL THERMOMETER FOR AT5784, 5930, 5854, 5411	\$ 54

Hose Kits and Accessories

GALVANIZED CLIMATEMASTER

CLIMATEMASTER PART NUMBER	DESCRIPTION	LIST PRICE
AK68198601	1/2" x 2' FIRE RATED HOSE KIT	\$ 35
AK68198604	3/4" x 2' FIRE RATED HOSE KIT	\$ 67
AK68198606	1" x 2' FIRE RATED HOSE KIT	\$113

STAINLESS CLIMATEMASTER

CLIMATEMASTER PART NUMBER	DESCRIPTION	LIST PRICE
AK5032-2	1/2" x 2' HOSE KIT WITH ADAPTER	\$ 50
AK7532-2	3/4" x 2' HOSE KIT WITH ADAPTER	\$ 90
AK1032-2	1" x 2' HOSE KIT WITH ADAPTER	\$ 131
AK1222-2	1 1/4" x 2' HOSE KIT WITH WASHERS	\$ 196
AK1542-2	1 1/2" x 2' HOSE KIT WITH ADAPTER	\$ 383

ADAPTERS CLIMATEMASTER

CLIMATEMASTER PART NUMBER	DESCRIPTION	LIST PRICE
AAD0500	1/2" FLARED MALE-TO-MALE ADAPTER	\$2.00
AAD0750	3/4" FLARED MALE-TO-MALE ADAPTER	\$4.25
AAD1000	1" FLARED MALE-TO-MALE ADAPTER	\$9.75

814SS-3

ACCESSORIES (con't)

Loop Control Panel and Accessories

CLIMATEMASTER PART NUMBER	DESCRIPTION	LIST PRICE
MACS-002	4 STAGES HT REJ, 1 STAGE HT ADD	\$4505
68263700	WATER TEMPERATURE SENSOR	N/C
68263701	OUTSIDE AIR TEMPERATURE SENSOR	N/C
68273700	SIMULATOR	\$ 455
68273701	REPEATER	\$ 676
68263800	FLOW SWITCH	\$ 141

1. WATER AND AIR TEMPERATURE SENSORS ARE INCLUDED INSIDE THE MACS-002.

Water Valves and Accessories

CLIMATEMASTER PART NUMBER	DESCRIPTION	LIST PRICE
AV0007	3/4" 24VAC MOTORIZED SHUTOFF VALVE	\$ 135
68273200	1/2" FITTINGS FOR AV0007	\$ 6
68273201	STD FITTINGS THAT COME WITH AV0007	\$ 6
68273202	1" FITTINGS FOR AV0007	\$ 12
AV0006	3/4" DUAL ACTING WATER REGULATING VALVE	\$ 305

NOTE: ADD \$37 LIST FOR SCHRADER PORT ON 814 SERIES WHENEVER PART # AV0006 IS ORDERED.

Field Installed Kits

CLIMATEMASTER PART NUMBER	DESCRIPTION	LIST PRICE
ABO-00	SINGLE STAGE BOILERLESS KIT	\$ 91
ABO-01	TWO STAGE BOILERLESS KIT	\$ 116
ACL001	SINGLE STAGE HIGH LEVEL CONDENSATE KIT	\$ 29
ACL002	TWO STAGE HIGH LEVEL CONDENSATE KIT	\$ 59
ACF1001	CLOGGED FILTER INDICATOR	\$ 59
AORTO-120	2 HOUR OVERRIDE TIMER	\$ 40

Filters

1 INCH DISPOSABLE CLIMATEMASTER PART NUMBER	APPLICATION	LIST PRICE
70007809	814 SIZES 009-013	\$4.55
70007810	814 SIZES 019-031	\$4.55

Contact the factory for any specials that are not shown.
All items on these pages are U.L. Approved and Listed unless otherwise noted.
Specials will generally not be U.L. Listed.

ClimateMaster

P.O. Box 25788
Oklahoma City, OK 73125
(405) 745-6000

ClimateMaster

814 Series

Water Source Horizontal Heat Pump (Sizes 036-120)

814
DECODER
036-120

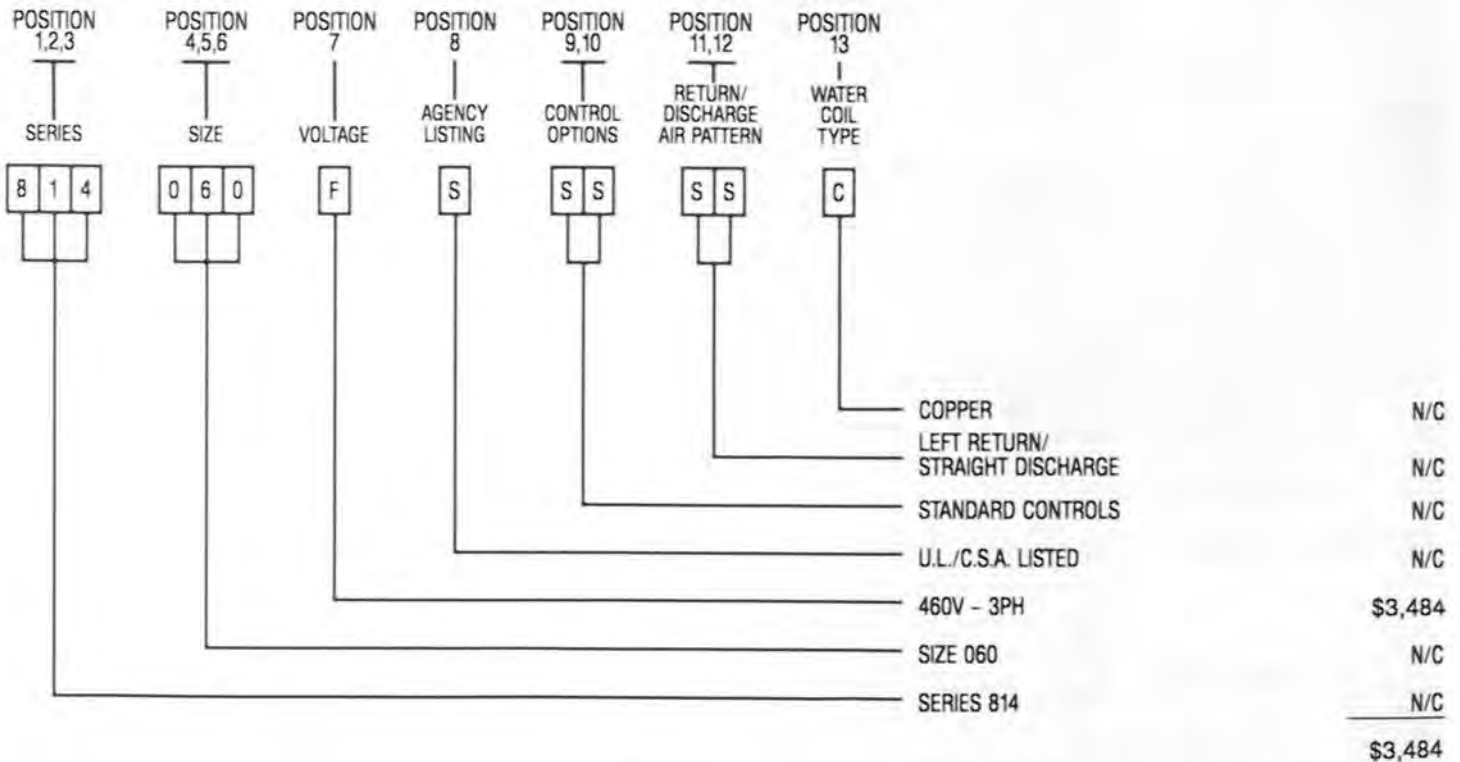
Pricing Policy:

This price sheet supersedes the price sheet dated February 1, 1989 and any subsequent addendums issued in letters to the field.

1. Freight terms are "FOB Shipping Point," Full Freight Allowed. On shipments to Canada, Alaska and Hawaii, Freight terms are "FOB Shipping Point," Full Freight Allowed to the U.S. Border. Normal shipment is by truck; if premium transportation is requested, the extra cost must be borne by the requester.
2. Warranty: The standard warranty on units, controls, and accessories is one year no labor.
3. Check, test and start is usually the responsibility of the installing contractor, therefore, our prices do not include any check, test and start monies. If it must be added, it is the responsibility of the representative to include the money in his quotation.
4. Terms of Sale are net 30 days. Credit must be approved or terms agreed upon before any equipment will be shipped.
5. Project information and a credit application must be filed with the Credit Department, and where applicable, a sales tax certification.
6. List Price deducts are indicated by () around the amount.

Ordering/Pricing Example:

814 Series Water Source Horizontal Heat Pump



814 Series Water Source Horizontal Heat Pump (Sizes 036-120)

Standard Heat Pump—Base Unit Prices: (Positions 1, 2, 3 indicate heat pump or cooling only)

814 – Standard Heat Pump

914 – Cooling Only: List Deduct (\$42) Sizes 036, 042

List Deduct (\$53) Sizes 048, 060

List Deduct (\$79) Sizes 072, 096, 120

(Positions 4, 5, 6, 7 indicate capacity and voltage options)

		POSITION 7						
		E 265V	F 460 3PH	G 208/230	H 208/230 3PH	V 200/240 50HZ	U 380 3PH 50HZ	N 575V 3PH
POSITIONS 4, 5, 6	036	\$2548	\$2613	\$2512	\$2582	\$2548	\$2613	N/A
	042	N/A	\$2765	\$2628	\$2716	N/A	\$2766	N/A
	048	N/A	\$3223	\$2985	\$3081	N/A	\$3223	\$3273
	060	N/A	\$3484	\$3375	\$3391	N/A	\$3484	\$3533
	072	N/A	\$5817	N/A	\$5799	N/A	\$5817	N/A
	096	N/A	\$6728	N/A	\$6705	N/A	\$6728	\$6817
	120	N/A	\$7377	N/A	\$7294	N/A	\$7377	\$7465

NOTES:

N/A = Not Available

072, 096, 120 are Two Stage Heat Pumps

Control Options: (Positions 8, 9, 10 indicate available control options)

		POSITIONS 8, 9, 10							
		SSS	SAB	SAD	SAE	SAG	SAL	SAP	SAR
LIST PRICE		\$ 0	\$ 28	\$ 34	\$394	\$ 67	\$ 34	\$ 28	\$449

		POSITIONS 8, 9, 10				
		SAT	SAV	NAW	NAX	NAU
LIST PRICE		\$646	\$ 34	\$ 57	\$180	\$124

NOTES:

SSS = Standard Controls

SAB = Standard Controls, with 24V normally Open, Shut Down, Control Relay

SAD = Standard Controls, with High Level Condensate Switch

SAE = Standard Controls, with Single Relay Powerline Carrier Receiver (REC-341-1), use with Enerlog Systems \$786

SAG = Standard Controls, with Anti-Short Cycle Timer

SAL = Standard Controls, with Lockout Reset at Disconnect Only

SAP = Standard Controls, with 24 V normally Open, Random Start, Control Relay

SAR = Standard Controls, with Dual Relay Powerline Carrier Receiver (REC-341-3), use with Enerlog Systems \$786

SAT = Standard Controls, with 460 V Single Relay Powerline Carrier Receiver, use with Enerlog Systems \$786

SAV = Standard Controls, with Service Signal to Thermostat

NAW = Standard Controls, with Dry Contact Output for Alarms NON-UL

NAX = Non-UL Master/Slave Single Stage Control \$281

NAU = Standard Controls, with Boilerless System Kit NON-UL \$393

Set-Up Charges are Net Per Order

NET SET-UP CHARGE

Air Flow Patterns: (Positions 11, 12 indicate available air flow patterns)

		POSITIONS 11, 12			
		SS	RS	LB	RB
LIST PRICE		\$ 0	\$ 28	\$ 28	\$ 28

NOTES:

SS = Left Return/Straight Discharge

RS = Right Return/Straight Discharge, Not Available on 048, 060, 072, 096, 120

LB = Left Return/Back Discharge, Not Available on 048, 060, 096, 120

RB = Right Return/Back Discharge, Not Available on 048, 060, 072, 096, 120

The Front of the Unit is where the Water Connections are Located

Water Coil Types:

(Position 13 indicates available water coil types)

POSITION 13 HEAT PUMP SIZE								
C	N	N	N	N	N	N	N	
ALL	(036)	(042)	(048)	(060)	(072)	(096)	(120)	
LIST PRICE	\$ 0	\$ 67	\$ 63	\$178	\$208	\$106	\$354	\$416

NOTES:

C = Std. Copper Coil

N = Cupro-Nickel Coil (072, 096, and 120 are Not Manifoldd)

Paint Style:

(Positions 14, 15 indicate whether unit is to be painted)

POSITIONS 14, 15		LIST PRICE	NOTES: OD = Standard Galvanized OF = Painted
OD	OF		
\$ 0	\$ 67		

ACCESSORIES

814 Series

(Sizes 036-120)

Thermostats/Subbases

CLIMATEMASTER PART NUMBER	VENDOR REF. NUMBER	APPLICATION	LIST PRICE
AT4175/AQ4766	T834A1675/Q634G1066	SINGLE STAGE MANUAL CHANGEOVER	\$ 59
AT5812/AQ5355	T874H1112/Q674C1355	SINGLE STAGE AUTOMATIC CHANGEOVER	\$ 173
AT5784/AQ5323	T874G1584/Q674C1223	SINGLE STAGE ACO, WITH NSB	\$ 194
AT5930/AQ5215	T874P1022/Q674B1315	SINGLE STAGE MCO WITH NSB OVERRIDE SWITCH AND SERVICE LEDS	\$ 198
AT5930/AQ5315	T874P1022/Q674C1215	SINGLE STAGE ACO, WITH NSB AND OVERRIDE INCLUDES OVERRIDE AND SERVICE LEDS	\$ 198
AT5411/AQ5204	T874D1611/Q674B1000	TWO STAGE MANUAL CHANGEOVER	\$ 297
AT5411/AQ5303	T874D1611/Q674C1019	TWO STAGE AUTOMATIC CHANGEOVER	\$ 292
AT5411/AQ5408	T874D1611/Q674D1008	TWO STAGE ACO, NO SYSTEM OR FAN SWITCHES	\$ 287
AT5411/AQ5705	T874D1611/Q674G1005	TWO STAGE ACO, NO FAN SYSTEM	\$ 292
AT0910	HP-2	SINGLE OR TWO STAGE PROGRAMMABLE (ACO/MCO)	\$ 434
AT12124	T841A1324	SINGLE STAGE MCO INCLUDES SUBBASE, EMERGENCY AND AUXILIARY HEAT LEDS	\$ 152
AT12234	T841B	SINGLE STAGE MCO INCLUDES SUBBASE AND NO LEDS	\$ 129
AT0907		SINGLE STAGE DIGITAL ACO/MCO STST	\$ 145
AT0906		REMOTE SENSOR FOR AT0907 OR AT0910	\$ 27

THERMOSTAT COVERS

CLIMATEMASTER PART NUMBER	VENDOR PART NUMBER	DESCRIPTION	LIST PRICE
AM5045	TG500A1045	CLEAR PLASTIC COVER FOR ALL HONEYWELL T'STATS	\$ 39
AM5060	TG500A1060	BEIGE PLASTIC COVER FOR ALL HONEYWELL T'STATS	\$ 39
AM5409	TG504A1009	LOCKING COVER FOR AT5784, 5930, 5854, 5411	\$ 54
AM5417	TG504A1017	LOCKING COVER/EXTERNAL THERMOMETER FOR AT5784, 5930, 5854, 5411	\$ 54

Hose Kits and Accessories

GALVANIZED CLIMATEMASTER PART NUMBER	DESCRIPTION	LIST PRICE
AK68198601	1/2" x 2' FIRE RATED HOSE KIT	\$ 35
AK68198604	3/4" x 2' FIRE RATED HOSE KIT	\$ 67
AK68198606	1" x 2' FIRE RATED HOSE KIT	\$ 113

814LS-3

ACCESSORIES (con't)

STAINLESS CLIMATEMASTER		
PART NUMBER	DESCRIPTION	LIST PRICE
AK5032-2	1/2" x 2' HOSE KIT WITH ADAPTER	\$ 50
AK7532-2	3/4" x 2' HOSE KIT WITH ADAPTER	\$ 90
AK1032-2	1" x 2' HOSE KIT WITH ADAPTER	\$ 131
AK1222-2	1 1/4" x 2' HOSE KIT WITH WASHERS	\$ 196
AK1542-2	1 1/2" x 2' HOSE KIT WITH ADAPTER	\$ 383

ADAPTERS CLIMATEMASTER		
PART NUMBER	DESCRIPTION	LIST PRICE
AAD0500	1/2" FLARED MALE-TO-MALE ADAPTER	\$ 2.00
AAD0750	3/4" FLARED MALE-TO-MALE ADAPTER	\$ 5.00
AAD1000	1" FLARED MALE-TO-MALE ADAPTER	\$10.00

Loop Control Panel and Accessories

CLIMATEMASTER		
PART NUMBER	DESCRIPTION	LIST PRICE
MACS-002	4 STAGES HT REJ, 1 STAGE HT ADD	\$4505
68263700	WATER TEMPERATURE SENSOR	N/C
68263701	OUTSIDE AIR TEMPERATURE SENSOR	N/C
68273700	SIMULATOR	\$ 455
68273701	REPEATER	\$ 676
68263800	FLOW SWITCH	\$ 141

1. WATER AND AIR TEMPERATURE SENSORS ARE INCLUDED INSIDE THE MACS-002.

Water Valves and Accessories

CLIMATEMASTER		
PART NUMBER	DESCRIPTION	LIST PRICE
AV0007	3/4" 24VAC MOTORIZED SHUTOFF VALVE	\$ 135
68273200	1/2" FITTINGS FOR AV0007	\$ 6
68273201	STD FITTINGS THAT COME WITH AV0007	\$ 6
68273202	1" FITTINGS FOR AV0007	\$ 12
AV0006	3/4" DUAL ACTING WATER REGULATING VALVE	\$ 305

NOTE: ADD \$37 LIST FOR SCHRADER PORT ON 814 SERIES WHENEVER PART # AV0006 IS ORDERED.

Field Installed Kits

CLIMATEMASTER		
PART NUMBER	DESCRIPTION	LIST PRICE
ABO-00	SINGLE STAGE BOILERLESS KIT	\$ 91
ABO-01	TWO STAGE BOILERLESS KIT	\$ 116
ACL001	SINGLE STAGE HIGH LEVEL CONDENSATE KIT	\$ 29
ACL002	TWO STAGE HIGH LEVEL CONDENSATE KIT	\$ 59
ACF1001	CLOGGED FILTER INDICATOR	\$ 59
AORTO-120	2 HOUR OVERRIDE TIMER	\$ 40

Filters

1 INCH DISPOSABLE CLIMATEMASTER		
PART NUMBER	APPLICATION	LIST PRICE
68544401	804/814 SIZES 48, 60, 96, 120	\$3.00
68544405	V SIZES 80-240 814 SIZES 36, 42	\$3.00
2 INCH DISPOSABLE		
68544430	804 SIZES 25, 31, 814 SIZES 36, 42	\$5.00

Contact the factory for any specials that are not shown.
All items on these pages are U.L. Approved and Listed unless otherwise noted.
Specials will generally not be U.L. Listed.

ClimateMaster

PO. Box 25788
Oklahoma City, OK 73125
(405) 745-6000