

ClimateMaster

813 Series

**Water Source
Vertical
Heat Pump
(Sizes 036-060)**

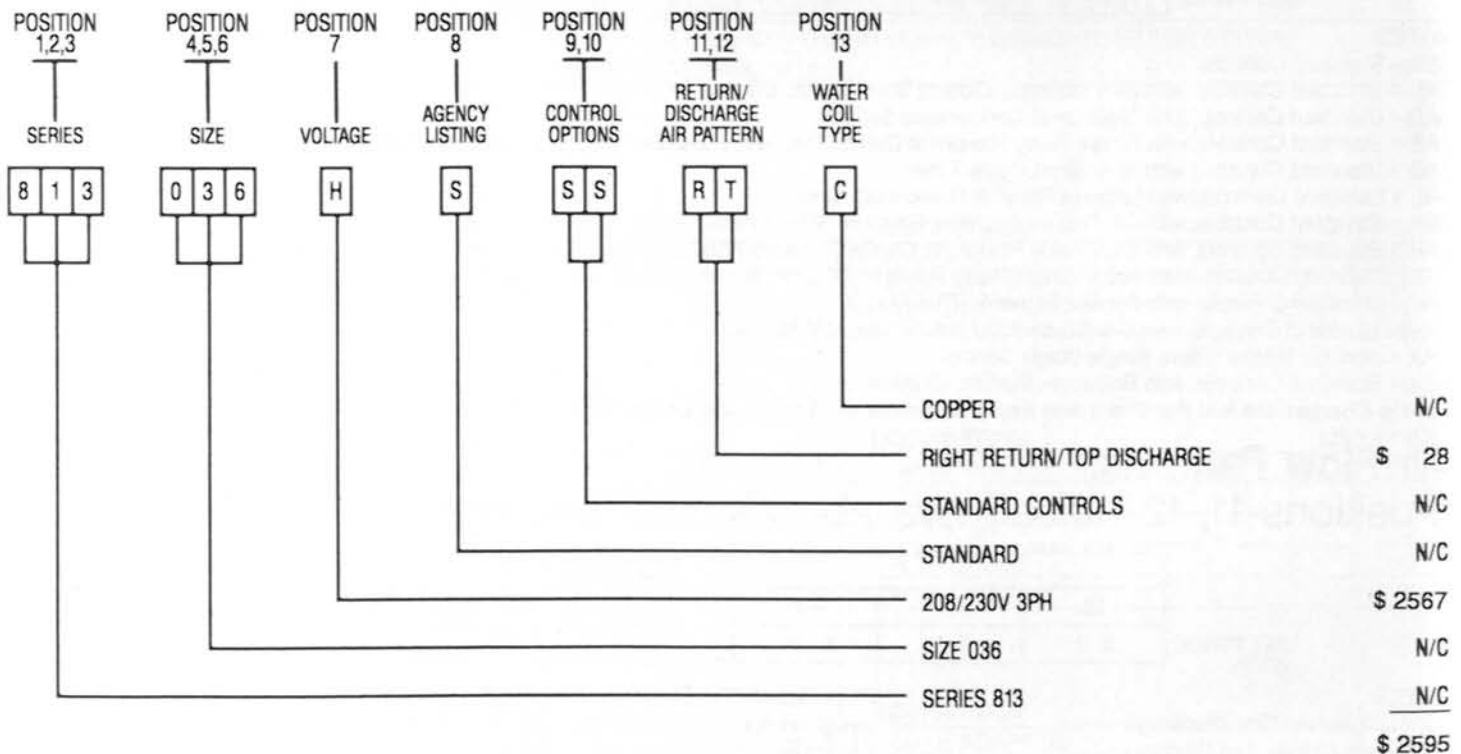
813 VERTICAL
DECODER
036-060

Pricing Policy:

This price sheet supersedes the price sheet dated February 1, 1989 and any subsequent addendums issued in letters to the field.

1. Freight terms are "FOB Shipping Point," Full Freight Allowed. On shipments to Canada, Alaska and Hawaii, Freight terms are "FOB Shipping Point," Full Freight Allowed to the U.S. Border. Normal shipment is by truck; if premium transportation is requested, the extra cost must be borne by the requester.
2. Warranty: The standard warranty on units, controls, and accessories is one year no labor.
3. Check, test and start is usually the responsibility of the installing contractor, therefore, our prices do not include any check, test and start monies. If it must be added, it is the responsibility of the representative to include the money in his quotation.
4. Terms of Sale are net 30 days. Credit must be approved or terms agreed upon before any equipment will be shipped.
5. Project information and a credit application must be filed with the Credit Department, and where applicable, a sales tax certification.
6. List Price deducts are indicated by () around the amount.

Ordering/Pricing Example: 813 Series Water Source Vertical Heat Pump



813V-1

813 Series Water Source Vertical Heat Pump (Sizes 036-060)

Standard Heat Pump—Base Unit Prices: (Positions 1, 2, 3 indicate heat pump or cooling only)

813 – Standard Heat Pump
 913 – Cooling Only: List Deduct (\$42) Sizes 036, 042 (Non UL)
 List Deduct (\$53) Sizes 048, 060 (Non UL)

(Positions 4, 5, 6, 7 indicate capacity and voltage options)

| | | POSITION 7 | | | | | | |
|----------------------|-----|------------|--------------|--------------|------------------|-------------------|-------------------|--------------|
| | | E 265V | F 460 3PH | G 208/230 | H 208/230 3PH | V 200/240 50HZ | U 380 3PH 50HZ | N 575 3PH |
| POSITIONS 4, 5, 6 | 036 | \$2548 | \$2555 | \$2509 | \$2567 | \$2547 | \$2555 | N/A |
| | 042 | N/A | \$2753 | \$2616 | \$2718 | N/A | \$2753 | N/A |
| | 048 | N/A | \$3167 | \$2952 | \$3097 | N/A | \$3167 | \$3273 |
| | 060 | N/A | \$3408 | \$3366 | \$3329 | N/A | \$3408 | \$3533 |

NOTES:
 NA = Not Available

Control Options: (Positions 8, 9, 10 indicate available control options)

| | | POSITIONS 8, 9, 10 | | | | | | | |
|------------|--|--------------------|-------|-------|-------|-------|-------|-------|-------|
| | | SSS | SAB | SAD | SAE | SAG | SAL | SAP | SAR |
| LIST PRICE | | \$ 0 | \$ 28 | \$ 34 | \$394 | \$ 67 | \$ 34 | \$ 28 | \$449 |

| | | POSITIONS 8, 9, 10 | | | | |
|------------|--|--------------------|-------|-------|-------|-------|
| | | SAT | SAV | NAW | NAX | NAU |
| LIST PRICE | | \$646 | \$ 34 | \$ 57 | \$180 | \$124 |

NET SET-UP CHARGE

NOTES:
 SSS = Standard Controls
 SAB = Standard Controls, with 24 V normally Closed, Shut Down, Control Relay
 SAD = Standard Controls, with High Level Condensate Switch
 SAE = Standard Controls, with Single Relay Powerline Carrier Receiver (REC-341-1), use with Enerlog Systems\$786
 SAG = Standard Controls, with Anti-Short Cycle Timer
 SAL = Standard Controls, with Lockout Reset at Disconnect Only
 SAP = Standard Controls, with 24 V normally Open, Random Start, Control Relay
 SAR = Standard Controls, with Dual Relay Powerline Carrier Receiver (REC-341-3), use with Enerlog Systems\$786
 SAT = Standard Controls, with 460 V Single Relay Powerline Carrier Receiver, use with Energlog Systems\$786
 SAV = Standard Controls, with Service Signal to Thermostat
 NAW = Standard Controls, with Dry Contact Output for Alarms (Non UL)
 NAX = Non-UL Master/Slave Single Stage Control\$281
 NAU = Standard Controls, with Boilerless System Kit (Non UL).....\$393
Set-Up Charges are Net Per Order and Apply to Orders of 25 Units and Larger Only

Air Flow Patterns: (Positions 11, 12 indicate available air flow patterns)

| | | POSITIONS 11, 12 | | | | | | | |
|------------|--|------------------|-------|-------|-------|-------|-------|-------|-------|
| | | SS | RT | FT | BT | LF | RF | FF | BF |
| LIST PRICE | | \$ 0 | \$ 28 | \$ 28 | \$ 28 | \$ 62 | \$ 62 | \$ 62 | \$ 62 |

NOTES:
 SS = Left Return/Top Discharge
 RT = Right Return/Top Discharge
 FT = Front Return/Top Discharge
 BT = Back Return/Top Discharge
 LF = Left Return/Top Discharge/Flanged Filter Rack
 RF = Right Return/Top Discharge/Flanged Filter Rack
 FF = Front Return/Top Discharge/Flanged Filter Rack
 BF = Back Return/Top Discharge/Flanged Filter Rack
The Front of the Unit is where the Water Connections are Located

Water Coil Types:

(Position 13 indicates available water coil types)

| POSITION 13 HEAT PUMP SIZE | | | | | |
|-------------------------------|---------|---------|---------|---------|-------|
| ALL C | (036) N | (042) N | (048) N | (060) N | |
| LIST PRICE | \$ 0 | \$ 73 | \$ 79 | \$192 | \$225 |

NOTES:
C = Std. Copper Coil
N = Cupro-Nickel Coil

ACCESSORIES

Thermostats/Subbases

813 Series

| CLIMATEMASTER PART NUMBER | VENDOR REF. NUMBER | APPLICATION | LIST PRICE |
|---------------------------|---------------------|--|------------|
| AT4175/AQ4766 | T834A1675/Q634G1066 | SINGLE STAGE MANUAL CHANGEOVER | \$ 59 |
| AT5812/AQ5355 | T874H1112/Q674C1355 | SINGLE STAGE AUTOMATIC CHANGEOVER | \$ 173 |
| AT5784/AQ5323 | T874G1584/Q674C1223 | SINGLE STAGE ACO, WITH NSB | \$ 194 |
| AT5930/AQ5215 | T874P1022/Q674B1315 | SINGLE STAGE MCO WITH NSB OVERRIDE SWITCH AND SERVICE LEDS | \$ 198 |
| AT5930/AQ5315 | T874P1022/Q674C1215 | SINGLE STAGE ACO, WITH NSB AND OVERRIDE INCLUDES OVERRIDE AND SERVICE LEDS | \$ 198 |
| AT0910 | HP-2 | SINGLE OR TWO STAGE PROGRAMMABLE (ACO/MCO) | \$ 434 |
| AT12124 | T841A1324 | SINGLE STAGE MCO INCLUDES SUBBASE, EMERGENCY AND AUXILIARY HEAT LEDS | \$ 152 |
| AT12234 | T841B | SINGLE STAGE MCO INCLUDES SUBBASE AND NO LEDS | \$ 129 |
| AT0907 | | SINGLE STAGE DIGITAL ACO/MCO STAT | \$ 145 |
| AT0906 | | REMOTE SENSOR FOR AT0907 OR AT0910 | \$ 27 |

| THERMOSTAT COVERS | | | |
|---------------------------|--------------------|---|------------|
| CLIMATEMASTER PART NUMBER | VENDOR PART NUMBER | DESCRIPTION | LIST PRICE |
| AM5045 | TG500A1045 | CLEAR PLASTIC COVER FOR ALL HONEYWELL T'STATS | \$ 39 |
| AM5060 | TG500A1060 | BEIGE PLASTIC COVER FOR ALL HONEYWELL T'STATS | \$ 39 |
| AM5409 | TG504A1009 | LOCKING COVER FOR AT5784, 5930, 5854, 5411 | \$ 54 |
| AM5417 | TG504A1017 | LOCKING COVER/EXTERNAL THERMOMETER FOR AT5784, 5930, 5854, 5411 | \$ 54 |

Hose Kits and Accessories

| GALVANIZED CLIMATEMASTER | | | |
|--------------------------|--|-------------------------------|------------|
| PART NUMBER | | DESCRIPTION | LIST PRICE |
| AK68198601 | | 1/2" x 2' FIRE RATED HOSE KIT | \$ 35 |
| AK68198604 | | 3/4" x 2' FIRE RATED HOSE KIT | \$ 67 |
| AK68198606 | | 1" x 2' FIRE RATED HOSE KIT | \$ 113 |

| STAINLESS CLIMATEMASTER | | | |
|-------------------------|--|-----------------------------------|------------|
| PART NUMBER | | DESCRIPTION | LIST PRICE |
| AK5032-2 | | 1/2" x 2' HOSE KIT WITH ADAPTER | \$ 50 |
| AK7532-2 | | 3/4" x 2' HOSE KIT WITH ADAPTER | \$ 90 |
| AK1032-2 | | 1" x 2' HOSE KIT WITH ADAPTER | \$ 131 |
| AK1222-2 | | 1 1/4" x 2' HOSE KIT WITH WASHERS | \$ 196 |
| AK1542-2 | | 1 1/2" x 2' HOSE KIT WITH ADAPTER | \$ 383 |

| ADAPTERS CLIMATEMASTER | | | |
|------------------------|--|----------------------------------|------------|
| PART NUMBER | | DESCRIPTION | LIST PRICE |
| AAD0500 | | 1/2" FLARED MALE-TO-MALE ADAPTER | \$ 2.00 |
| AAD0750 | | 3/4" FLARED MALE-TO-MALE ADAPTER | \$ 5.00 |
| AAD1000 | | 1" FLARED MALE-TO-MALE ADAPTER | \$10.00 |

ACCESSORIES (con't)

Loop Control Panel and Accessories

| CLIMATEMASTER PART NUMBER | DESCRIPTION | LIST PRICE |
|------------------------------|---------------------------------|------------|
| MACS-002 | 4 STAGES HT REJ, 1 STAGE HT ADD | \$4505 |
| 68263700 | WATER TEMPERATURE SENSOR | N/C |
| 68263701 | OUTSIDE AIR TEMPERATURE SENSOR | N/C |
| 68273700 | SIMULATOR | \$ 455 |
| 68273701 | REPEATER | \$ 676 |
| 68263800 | FLOW SWITCH | \$ 141 |

1. WATER AND AIR TEMPERATURE SENSORS ARE INCLUDED INSIDE THE MACS-002.

Water Valves and Accessories

| CLIMATEMASTER PART NUMBER | DESCRIPTION | LIST PRICE |
|------------------------------|---|------------|
| AV0007 | 3/4" 24VAC MOTORIZED SHUTOFF VALVE | \$ 134 |
| 68273200 | 1/2" FITTINGS FOR AV0007 | \$ 6 |
| 68273201 | STD FITTINGS THAT COME WITH AV0007 | \$ 6 |
| 68273202 | 1" FITTINGS FOR AV0007 | \$ 12 |
| AV0006 | 3/4" DUAL ACTING WATER REGULATING VALVE | \$ 305 |

NOTE: ADD \$37 LIST FOR SCHRADER PORT ON 813 SERIES WHENEVER PART # AV0006 IS ORDERED.

Field Installed Kits

| CLIMATEMASTER PART NUMBER | DESCRIPTION | LIST PRICE |
|------------------------------|--|------------|
| ABO-00 | SINGLE STAGE BOILERLESS KIT | \$ 91 |
| ABO-01 | TWO STAGE BOILERLESS KIT | \$ 116 |
| ACL001 | SINGLE STAGE HIGH LEVEL CONDENSATE KIT | \$ 29 |
| ACL002 | TWO STAGE HIGH LEVEL CONDENSATE KIT | \$ 59 |
| ACF1001 | CLOGGED FILTER INDICATOR | \$ 59 |
| AORTO-120 | 2 HOUR OVERRIDE TIMER | \$ 40 |

Filters

| 1 INCH DISPOSABLE CLIMATEMASTER | | APPLICATION | LIST PRICE |
|------------------------------------|------------------|-------------|------------|
| PART NUMBER | | | |
| 68544428 | 813 SIZES 36, 42 | | \$ 3.00 |
| 68544429 | 813 SIZES 48, 60 | | \$ 4.00 |
| 2 INCH DISPOSABLE | | | |
| 68544422 | 813 SIZES 48, 60 | | \$ 4.25 |

Contact the factory for any specials that are not shown.
All items on these pages are U.L. Approved and Listed unless otherwise noted.
Specials will generally not be U.L. Listed.

ClimateMaster

P.O. Box 25788
Oklahoma City, OK 73125
(405) 745-6000