

ClimateMaster

813 Series

Extended Operating Range Water Source Vertical Heat Pump

(Sizes 036-060)
(Water Temperature 25°F - 110°F)

813 VERTICAL
EXT. RANGE
DECODER
036-060

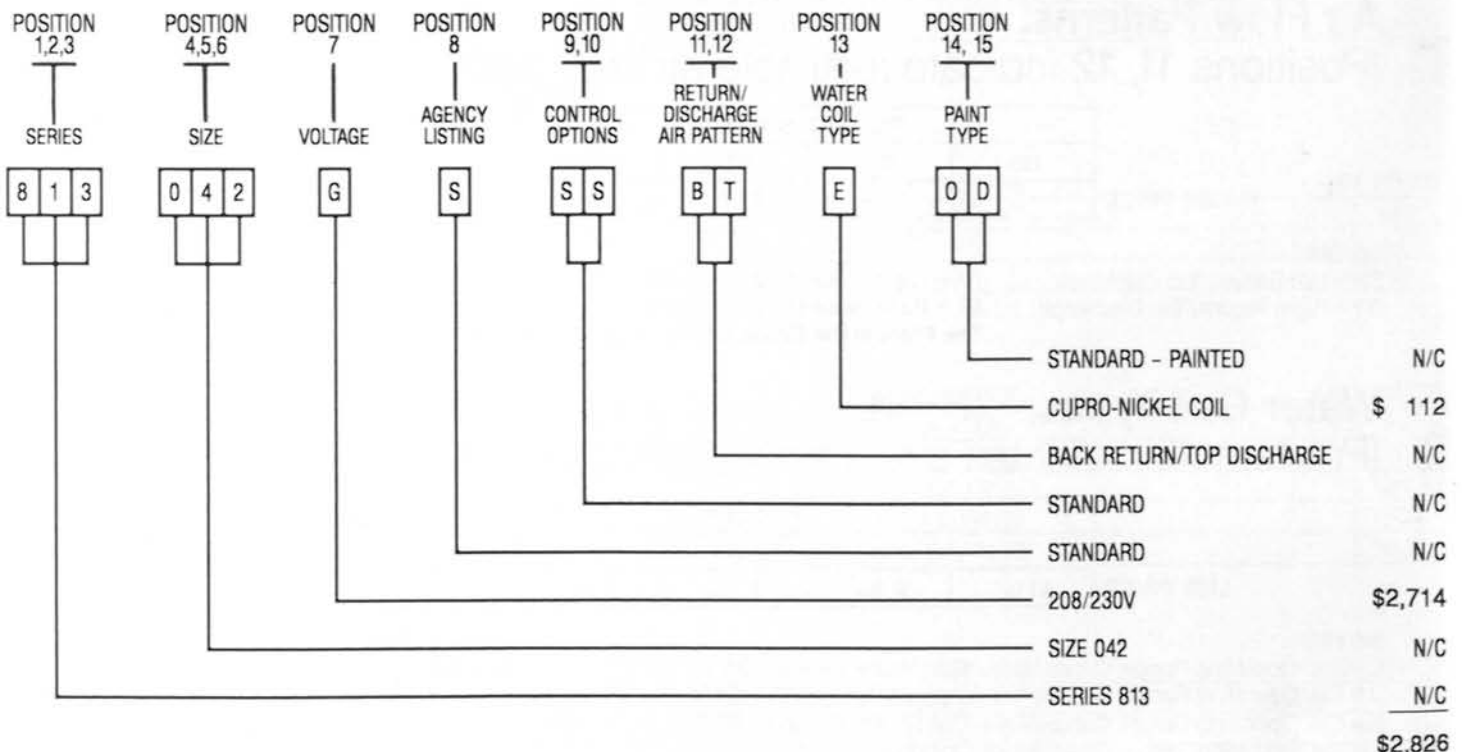
Pricing Policy:

This price sheet supersedes the price sheet dated February 1, 1989 and any subsequent addendums issued in letters to the field.

- Freight terms are "FOB Shipping Point," Full Freight Allowed. On shipments to Canada, Alaska and Hawaii, Freight terms are "FOB Shipping Point," Full Freight Allowed to the U.S. Border. Normal shipment is by truck; if premium transportation is requested, the extra cost must be borne by the requester.
- Warranty: The standard warranty on units, controls, and accessories is one year no labor.
- Check, test and start is usually the responsibility of the installing contractor, therefore, our prices do not include any check, test and start monies. If it must be added, it is the responsibility of the representative to include the money in his quotation.
- Terms of Sale are net 30 days. Credit must be approved or terms agreed upon before any equipment will be shipped.
- Project information and a credit application must be filed with the Credit Department, and where applicable, a sales tax certification.
- List Price deducts are indicated by () around the amount.

Ordering/Pricing Example:

813 Series Extended Operating Range Water Source Vertical Heat Pump (Sizes 036-060)



813EOR-1

813 Series

Extended Operating Range Water Source Vertical Heat Pump

(Sizes 036-060; Water Temperatures 25°F(-3,9°C) – 110°F(43,3°C))

Standard Heat Pump—Base Unit Prices:

(Positions 1, 2, 3 indicate heat pump or cooling only)

813 – Standard Heat Pump

913 – Cooling Only: List Deduct (\$42) Sizes 036, 042 (Non UL)

List Deduct (\$53) Sizes 048, 060 (Non UL)

(Positions 4, 5, 6, 7 indicate capacity and voltage options)

		POSITION 7					
		E 265V	F 460V 3PH	G 208/230V	H 208/230 3PH	U 380 3PH 50HZ	V 200/240 50 HZ
POSITIONS 4, 5, 6	036	\$2431	\$2696	\$2596	\$2663	\$2696	\$2631
	042	N/A	\$2821	\$2714	\$2781	\$2821	N/A
	048	N/A	\$3276	\$2933	\$3000	\$3276	N/A
	060	N/A	\$3752	\$3483	\$3562	\$3752	N/A

NOTES:

N/A = Not Available

Control Options:

(Positions 8, 9, 10 indicate available control options)

LIST PRICE	POSITIONS 8, 9, 10
	SSS
	\$0

NOTES:

SSS = Standard Controls

Air Flow Patterns:

(Positions 11, 12 indicate available air flow patterns)

		POSITIONS 11, 12			
		SS	RT	FT	BT
LIST PRICE		0	\$ 28	\$ 28	\$ 28

NOTES:

SS = Left Return/Top Discharge

RT = Right Return/Top Discharge

FT = Front Return/Top Discharge

BT = Back Return/Top Discharge

The Front of the Unit is where the Water Connections are Located

Water Coil Types:

(Position 13 indicates available water coil types)

		POSITION 13				
		E	J	K	L	M
LIST PRICE		\$112	\$ 60	\$ 60	\$ 79	\$ 0

NOTES:

E = Ext. Operating Range, Cupro-Nickel Coil (Water Temps of 25°F(-3,9°C) – 110°F(43,3°C)) (Inc. E-Z add hot water generator connection for desuper heater)

J = Ext. Operating Range, Copper Coil (Water Temps of 25°F(-3,9°C) – 110°F(43,3°C))

K = Ext. Operating Range, Cupro-Nickel Coil (Water Temps of 25°F(-3,9°C) – 110°F(43,3°C))

L = Ext. Operating Range, Cupro-Nickel Coil (Water Temps of 40°F(4,4°C) – 105°F(40°C))

M = Ext. Operating Range, Copper Coil (Water Temps of 40°F(4,4°C) – 105°F(40°C))

813EOR-2

Painting Option:
 (Positions 14, 15 indicate available painting options)

	POSITIONS 14, 15
	OD
LIST PRICE	\$0

NOTES:
 OD = Std. Painted, Alaskan Beige

ACCESSORIES

813 Series Extended Operating Range

Thermostats/Subbases

CLIMATEMASTER PART NUMBER	VENDOR REF. NUMBER	APPLICATION	LIST PRICE
AT4175/AQ4766	T834A1675/Q634G1066	SINGLE STAGE MANUAL CHANGEOVER	\$ 59
AT5812/AQ5355	T874H1112/Q674C1355	SINGLE STAGE AUTOMATIC CHANGEOVER	\$ 173
AT5784/AQ5323	T874G1584/Q674C1223	SINGLE STAGE ACO, WITH NSB	\$ 194
AT5930/AQ5215	T874P1022/Q674B1315	SINGLE STAGE MCO WITH NSB OVERRIDE SWITCH AND SERVICE LEDS	\$ 198
AT5930/AQ5315	T874P1022/Q674C1215	SINGLE STAGE ACO, WITH NSB AND OVERRIDE INCLUDES OVERRIDE AND SERVICE LEDS	\$ 198
AT0910	HP-2	SINGLE OR TWO STAGE PROGRAMMABLE (ACO/MCO)	\$ 434
AT12124	T841A1324	SINGLE STAGE MCO INCLUDES SUBBASE, EMERGENCY AND AUXILIARY HEAT LEDS	\$ 152
AT12234	T841B	SINGLE STAGE MCO INCLUDES SUBBASE AND NO LEDS	\$ 129
AT0907		SINGLE STAGE DIGITAL ACO/MCO STAT	\$ 145
AT0906		REMOTE SENSOR FOR AT0907 OR AT0910	\$ 27

CLIMATEMASTER PART NUMBER	PART NUMBER	VENDOR DESCRIPTION	LIST PRICE
AM5045	TG500A1045	CLEAR PLASTIC COVER FOR ALL HONEYWELL T'STATS	\$ 39
AM5060	TG500A1060	BEIGE PLASTIC COVER FOR ALL HONEYWELL T'STATS	\$ 39
AM5409	TG504A1009	LOCKING COVER FOR AT5784, 5930, 5854, 5411	\$ 54
AM5417	TG504A1017	LOCKING COVER/EXTERNAL THERMOMETER FOR AT5784, 5930, 5854, 5411	\$ 54

Hose Kits and Accessories

GALVANIZED CLIMATEMASTER PART NUMBER	DESCRIPTION	LIST PRICE
AK68198601	1/2" x 2' FIRE RATED HOSE KIT	\$ 35
AK68198604	3/4" x 2' FIRE RATED HOSE KIT	\$ 67
AK68198606	1" x 2' FIRE RATED HOSE KIT	\$ 113

STAINLESS CLIMATEMASTER PART NUMBER	DESCRIPTION	LIST PRICE
AK5032-2	1/2" x 2' HOSE KIT WITH ADAPTER	\$ 50
AK7532-2	3/4" x 2' HOSE KIT WITH ADAPTER	\$ 90
AK1032-2	1" x 2' HOSE KIT WITH ADAPTER	\$ 131
AK1222-2	1 1/4" x 2' HOSE KIT WITH WASHERS	\$ 196
AK1542-2	1 1/2" x 2' HOSE KIT WITH ADAPTER	\$ 383

ADAPTERS CLIMATEMASTER PART NUMBER	DESCRIPTION	LIST PRICE
AAD0500	1/2" FLARED MALE-TO-MALE ADAPTER	\$ 2.00
AAD0750	3/4" FLARED MALE-TO-MALE ADAPTER	\$ 5.00
AAD1000	1" FLARED MALE-TO-MALE ADAPTER	\$10.00

ACCESSORIES (con't)

Loop Control Panel and Accessories

CLIMATEMASTER PART NUMBER	DESCRIPTION	LIST PRICE
MACS-002	4 STAGES HEAT REJECTION, 1 STAGE HEAT ADDITION	\$4505
68263700	WATER TEMPERATURE SENSOR	N/C
68263701	OUTSIDE AIR TEMPERATURE SENSOR	N/C
68273700	SIMULATOR	\$ 455
68273701	REPEATER	\$ 676
68263800	FLOW SWITCH	\$ 141

1. WATER AND AIR TEMPERATURE SENSORS ARE INCLUDED INSIDE THE MACS-002.

Water Valves and Accessories

CLIMATEMASTER PART NUMBER	DESCRIPTION	LIST PRICE
AV0007	3/4" 24VAC MOTORIZED SHUTOFF VALVE	\$ 135
68273200	1/2" FITTINGS FOR AV0007	\$ 6
68273201	STD FITTINGS THAT COME WITH AV0007	\$ 6
68273202	1" FITTINGS FOR AV0007	\$ 12
AV0006	3/4" DUAL ACTING WATER REGULATING VALVE	\$ 305

NOTE: ADD \$37 LIST FOR SCHRADER PORT ON 813 SERIES WHENEVER PART # AV0006 IS ORDERED.

Field Installed Kits

CLIMATEMASTER PART NUMBER	DESCRIPTION	LIST PRICE
ABO-00	SINGLE STAGE BOILERLESS KIT	\$ 91
ABO-01	TWO STAGE BOILERLESS KIT	\$ 116
ACL001	SINGLE STAGE HIGH LEVEL CONDENSATE KIT	\$ 29
ACL002	TWO STAGE HIGH LEVEL CONDENSATE KIT	\$ 59
ACF1001	CLOGGED FILTER INDICATOR	\$ 59
AORTO-120	2 HOUR OVERRIDE TIMER	\$ 40
HWG-EZ1	DESUPER HEATER/HOT WATER GENERATOR	\$ 534

Filters

1 INCH DISPOSABLE CLIMATEMASTER PART NUMBER	APPLICATION	LIST PRICE
68544428	813 SIZES 36, 42	\$5.00
68544429	813 SIZES 48, 60	\$7.25
2 INCH DISPOSABLE		
68544422	813 SIZES 48, 60	\$6.75

Contact the factory for any specials that are not shown.
All items on these pages are U.L. Approved and Listed unless otherwise noted.
Specials will generally not be U.L. Listed.

ClimateMaster

PO. Box 25788
Oklahoma City, OK 73125
(405) 745-6000