

ClimateMaster

804 Series

Price List

Effective 01/01/90

Form No. 804EORPS-190
Subject to change without notice.

Extended Operating Range Water Source Horizontal Heat Pump

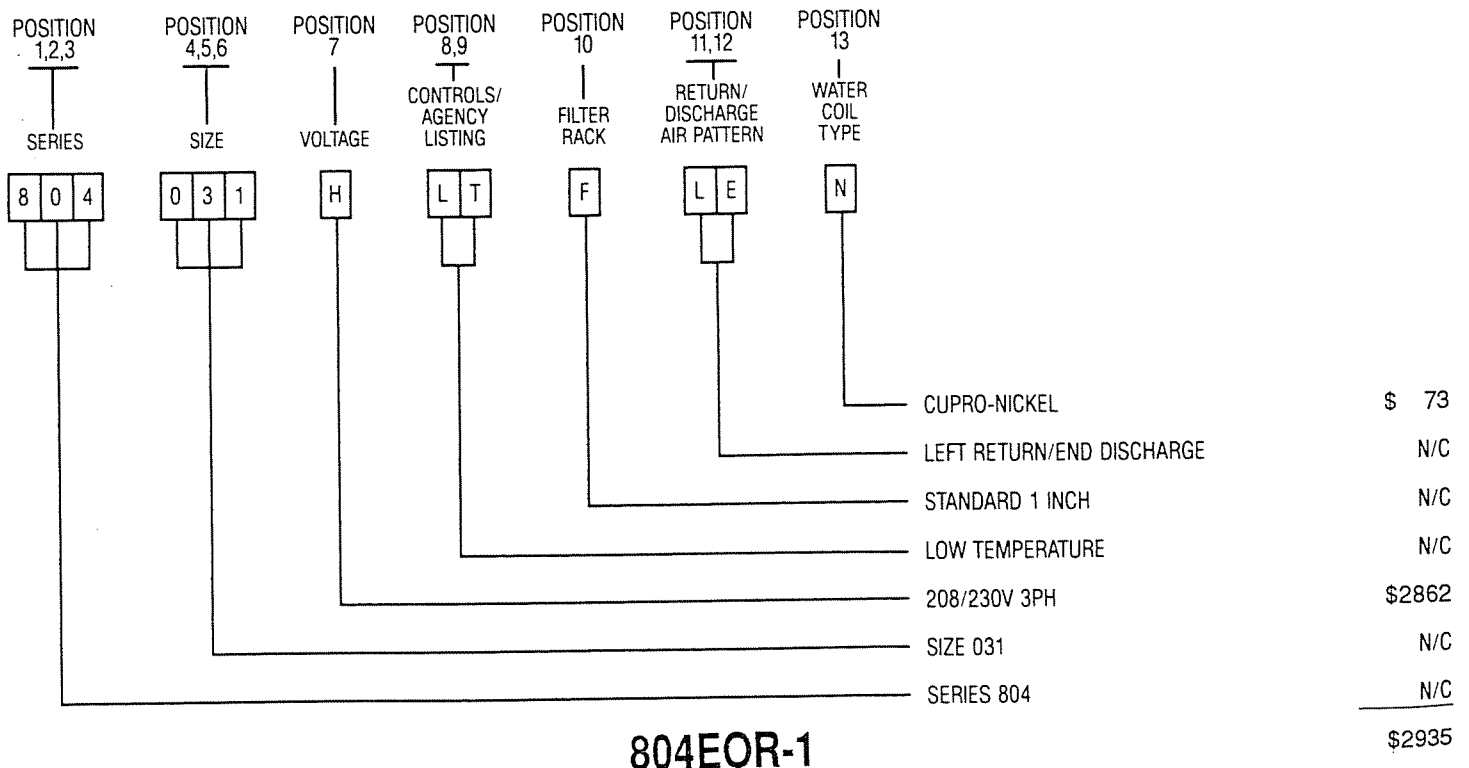
(Sizes 006-031)
(Water Temperature 40°F (4,4°C) - 105°F (40°C))

Pricing Policy:

This price sheet supersedes the price sheet dated February 1, 1989 and any subsequent addendums issued in letters to the field.

- Freight terms are "FOB Shipping Point," Full Freight Allowed. On shipments to Canada, Alaska and Hawaii, Freight terms are "FOB Shipping Point," Full Freight Allowed to the U.S. Border. Normal shipment is by truck; if premium transportation is requested, the extra cost must be borne by the requester.
- Warranty: The standard warranty on units, controls, and accessories is one year no labor.
- Check, test and start is usually the responsibility of the installing contractor, therefore, our prices do not include any check, test and start monies. If it must be added, it is the responsibility of the representative to include the money in his quotation.
- Terms of Sale are net 30 days. Credit must be approved or terms agreed upon before any equipment will be shipped.
- Project information and a credit application must be filed with the Credit Department, and where applicable, a sales tax certification.
- List Price deducts are indicated by () around the amount.

Ordering/Pricing Example: 804 Series Extended Operating Range Water Source Horizontal Heat Pump



804EOR-1

804 Series

Extended Operating Range

Water Source Horizontal Heat Pump

(Sizes 006-120; Water Temperatures 40°F(4,4°C) – 105°F(40°C))

Standard Heat Pump—Base Unit Prices:

(Positions 1, 2, 3 indicate heat pump or cooling only)

804 – Standard Heat Pump

904 – Cooling Only: List Deduct (\$47) Sizes 006-031 (Non UL)

(Positions 4, 5, 6, 7 indicate capacity and voltage options)

		POSITION 7					
		E 265V	F 460 3PH	G 208/230V	H 208/230 3PH	V 200/240 50HZ	U 380 3PH 50HZ
POSITIONS 4, 5, 6	006	\$1669	N/A	\$1647	N/A	\$1669	N/A
	009	\$1822	N/A	\$1764	N/A	\$1822	N/A
	012	\$1843	N/A	\$1835	N/A	\$1843	N/A
	015	\$2028	N/A	\$2026	N/A	\$2028	N/A
	019	\$2176	N/A	\$2166	N/A	\$2176	N/A
	025	\$2515	N/A	\$2420	N/A	\$2515	N/A
	031	\$2570	\$2813	\$2521	\$2861	\$2570	\$2813

NOTES: N/A = Not Available

See 814 Extended Operating Range for Sizes 036-120

Control Options:

(Positions 8, 9 indicate available control options)

		POSITIONS 8, 9			
		LT	LL	LH	LR
LIST PRICE		\$ 0	\$34	\$62	\$28

NOTES:

LT = Low Temperature (Entering Water Temperatures of 40 to 110F)

LL = High Level Condensate Switch

LH = High Level Condensate Switch with 24 VAC normally Open, Random Start, Control Relay

LR = 24 VAC normally Open, Random Start, Control Relay

Filter Racks:

(Position 10 indicates available filter racks)

POSITION 10	
	F
LIST PRICE	\$0

NOTES:

F = Std. Flanged 1 Inch Filter Rack

Air Flow Patterns:

(Positions 11, 12 indicate available air flow patterns)

		POSITIONS 11, 12			
		LE	LS	RE	RS
LIST PRICE		\$28	\$ 0	\$28	\$28

NOTES:

LE = Left Return/End Discharge (Not Available on 096-120)

LS = Left Return/Straight Discharge (Not Available on 031)

RE = Right Return/End Discharge (Not Available on 096-120)

RS = Right Return/Straight Discharge (Not Available on 031, 096-12)

The Front of the Unit is where the Water Connections are Located

804EOR-2

Water Coil Types:
(Position 13 indicates available water coil types)

POSITION 13			
C	(006-031) N	(096,120) N	
LIST PRICE	\$ 0	\$73	\$337

NOTES:
C = Std. Copper Coil
N = Cupro-Nickel Coil

ACCESSORIES
Thermostats/Subbases

804 Series Extended Operating Range

CLIMATEMASTER PART NUMBER	VENDOR REF. NUMBER	APPLICATION	LIST PRICE
AT4175/AQ4766	T834A1675/Q634G1066	SINGLE STAGE MANUAL CHANGEOVER	\$ 59
AT5812/AQ5355	T874H1112/Q674C1355	SINGLE STAGE AUTOMATIC CHANGEOVER	\$ 173
AT5784/AQ5323	T874G1584/Q674C1223	SINGLE STAGE ACO, WITH NSB	\$ 194
AT5930/AQ5215	T874P1022/Q674B1315	SINGLE STAGE MCO WITH NSB OVERRIDE SWITCH AND SERVICE LEDS	\$ 198
AT5930/AQ5315	T874P1022/Q674C1215	SINGLE STAGE ACO, WITH NSB AND OVERRIDE INCLUDES OVERRIDE AND SERVICE LEDS	\$ 198
AT0910	HP-2	SINGLE OR TWO STAGE PROGRAMMABLE (ACO/MCO)	\$ 434
AT12124	T841A1324	SINGLE STAGE MCO INCLUDES SUBBASE, EMERGENCY AND AUXILIARY HEAT LEDS	\$ 152
AT12234	T841B	SINGLE STAGE MCO INCLUDES SUBBASE AND NO LEDS	\$ 129
AT0907		SINGLE STAGE DIGITAL ACO/MCO STAT	\$ 145
AT0906		REMOTE SENSOR FOR AT0907 OR AT0910	\$ 27

THERMOSTAT COVERS

CLIMATEMASTER PART NUMBER	VENDOR PART NUMBER	DESCRIPTION	LIST PRICE
AM5045	TG500A1045	CLEAR PLASTIC COVER FOR ALL HONEYWELL T'STATS	\$ 39
AM5060	TG500A1060	BEIGE PLASTIC COVER FOR ALL HONEYWELL T'STATS	\$ 39
AM5409	TG504A1009	LOCKING COVER FOR AT5784, 5930, 5854, 5411	\$ 54
AM5417	TG504A1017	LOCKING COVER/EXTERNAL THERMOMETER FOR AT5784, 5930, 5854, 5411	\$ 54

Hose Kits and Accessories

GALVANIZED CLIMATEMASTER

PART NUMBER	DESCRIPTION	LIST PRICE
AK68198601	1/2" x 2' FIRE RATED HOSE KIT	\$ 35
AK68198604	3/4" x 2' FIRE RATED HOSE KIT	\$ 67
AK68198606	1" x 2' FIRE RATED HOSE KIT	\$ 113

STAINLESS CLIMATEMASTER

PART NUMBER	DESCRIPTION	LIST PRICE
AK5032-2	1/2" x 2' HOSE KIT WITH ADAPTER	\$ 50
AK7532-2	3/4" x 2' HOSE KIT WITH ADAPTER	\$ 90
AK1032-2	1" x 2' HOSE KIT WITH ADAPTER	\$ 131
AK1222-2	1 1/4" x 2' HOSE KIT WITH WASHERS	\$ 196
AK1542-2	1 1/2" x 2' HOSE KIT WITH ADAPTER	\$ 383

ADAPTERS CLIMATEMASTER

PART NUMBER	DESCRIPTION	LIST PRICE
AAD0500	1/2" FLARED MALE-TO-MALE ADAPTER	\$ 2.00
AAD0750	3/4" FLARED MALE-TO-MALE ADAPTER	\$ 5.00
AAD1000	1" FLARED MALE-TO-MALE ADAPTER	\$10.00

804EOR-3

ACCESSORIES (con't)

Loop Control Panel and Accessories

CLIMATEMASTER PART NUMBER	DESCRIPTION	LIST PRICE
MACS-002	4 STAGES HT REJ, 1 STAGE HT ADD	\$4505
68263700	WATER TEMPERATURE SENSOR	N/C
68263701	OUTSIDE AIR TEMPERATURE SENSOR	N/C
68273700	SIMULATOR	\$ 455
68273701	REPEATER	\$ 676
68263800	FLOW SWITCH	\$ 141

1. WATER AND AIR TEMPERATURE SENSORS ARE INCLUDED INSIDE THE MACS-002.

Water Valves and Accessories

CLIMATEMASTER PART NUMBER	DESCRIPTION	LIST PRICE
AV0007	3/4" 24VAC MOTORIZED SHUTOFF VALVE	\$ 134
68273200	1/2" FITTINGS FOR AV0007	\$ 6
68273201	STD FITTINGS THAT COME WITH AV0007	\$ 6
68273202	1" FITTINGS FOR AV0007	\$ 12
AV0006	3/4" DUAL ACTING WATER REGULATING VALVE	\$ 305

NOTE: ADD \$37 LIST FOR SCHRADER PORT ON 804 SERIES WHENEVER PART # AV0006 IS ORDERED.

Field Installed Kits

CLIMATEMASTER PART NUMBER	DESCRIPTION	LIST PRICE
ABO-00	SINGLE STAGE BOILERLESS KIT	\$ 91
ABO-01	TWO STAGE BOILERLESS KIT	\$ 116
ACL001	SINGLE STAGE HIGH LEVEL CONDENSATE KIT	\$ 29
ACL002	TWO STAGE HIGH LEVEL CONDENSATE KIT	\$ 59
ACF1001	CLOGGED FILTER INDICATOR	\$ 59
AORTO-120	2 HOUR OVERRIDE TIMER	\$ 40

Filters

1 INCH DISPOSABLE		
CLIMATEMASTER PART NUMBER	APPLICATION	LIST PRICE
68544401	804/814 SIZES 48, 60, 96 120	\$ 3.00
68544418	804 SIZES 15, 19, 25,31	\$ 4.00
2 INCH DISPOSABLE		
68544420	804/814 SIZES 48, 60, 96, 120	\$ 4.75
68544423	803 SIZES 9, 12 804 SIZES 6, 9, 12	\$ 4.25
68544425	804 SIZES 15, 19	\$ 8.75
68544430	804 SIZES 25, 31 814 SIZES 36, 42	\$ 4.75

Contact the factory for any specials that are not shown.
All items on these pages are U.L. Approved and Listed unless otherwise noted.
Specials will generally not be U.L. Listed.

ClimateMaster

P.O. Box 25788
Oklahoma City, OK 73125
(405) 745-6000