

Adjoining Room Kit Installation Instructions

Inspection

Upon receipt of shipment, carefully check the shipment against the bill of lading. Make sure all Adjoining Room Kits have been received. Inspect each item for damage. Assure that the carrier makes proper notation on the delivery receipt of all damage identified and that he completes a Carrier Inspection Report. Concealed damage must be reported to the carrier within fifteen (15) days of receipt of shipment. **NOTE: It is the responsibility of the purchaser to file all necessary claims with the carrier. Notify ACP's Traffic Department of all damage within fifteen (15) days of shipment.**

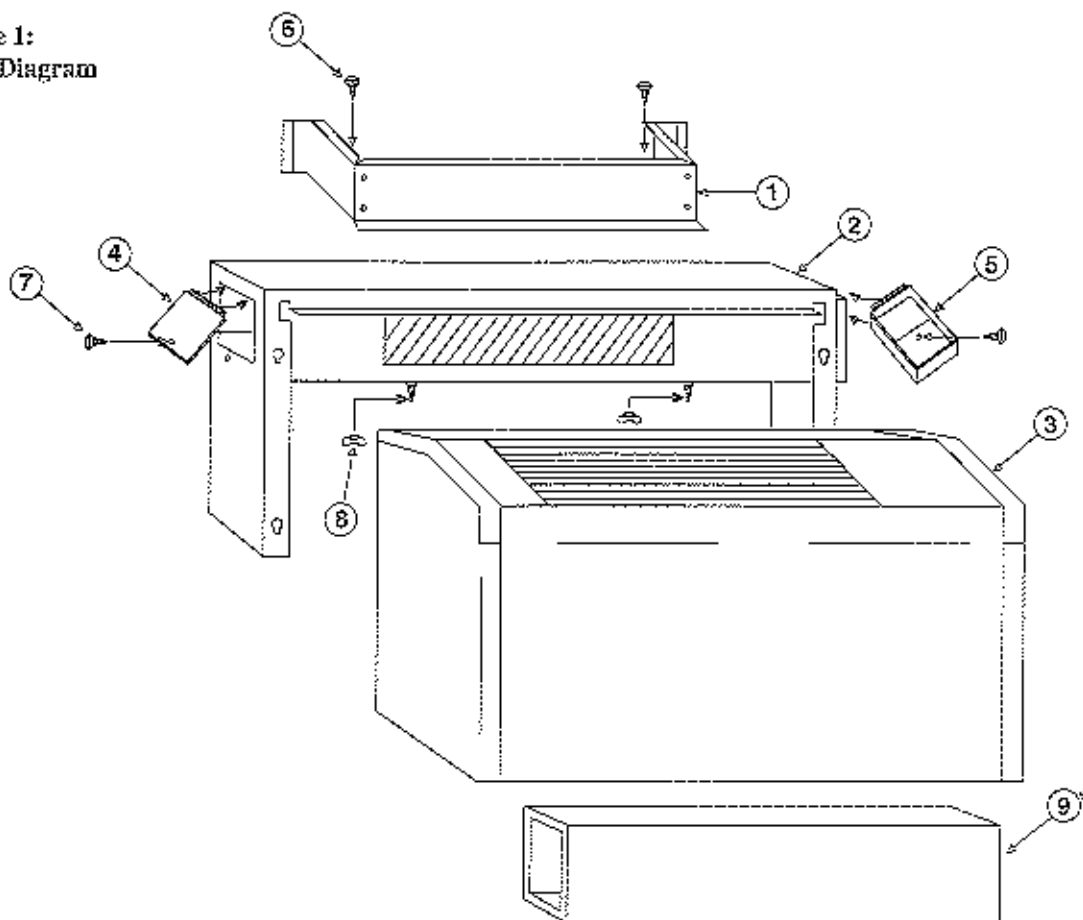
The Adjoining Room Kits are shipped separately from the Chassis in a single carton with the Room Cabinet.

Package Contents

The optional Adjoining Room Kit contains the following parts necessary to complete the installation. Refer to Figure 1 (below) for parts diagram.

- (1) 48-inch x 21-inch Room Enclosure (3)
- (1) Chassis Transition Air Baffle Assembly (1)
- (1) ARKPL Plenum Assembly with 2 wing nuts (2) (8)
- (3) ARKXD 36-inch Duct Extension (*available with ARKPDSA only) (9)
- (1) Parts Bag containing
 - (1) Duct Collar (5)
 - (1) Duct Block-off (4)
 - (2) Sheet Metal Screws (6)
 - (2) Pan Head Phillips Screws (7)

Figure 1:
Parts Diagram



Introduction

The Adjoining Room Kit is part of the PTA/PTP/PTH Packaged Terminal Air Conditioner/Heat Pump System.

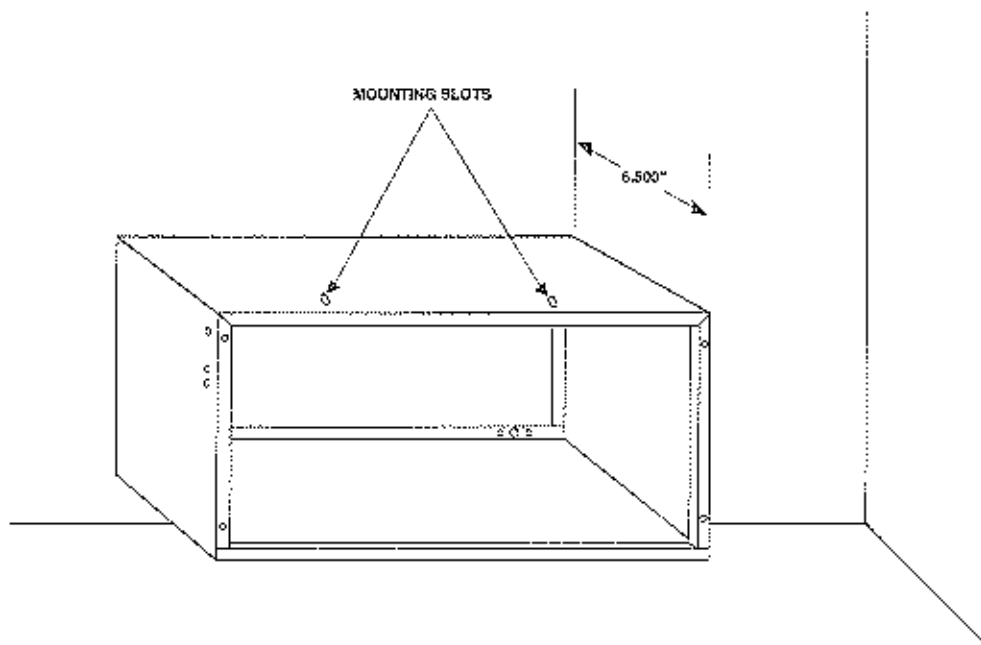
Note: That on PTH (Hydronic Heat) units, the Adjoining Room Kit must be used in conjunction with the PTH Hydronic Subbase. This accessory is NOT available for use with the PTH Top Mount Hydronic unit.

Before Installation

Store Adjoining Room Kit in the original carton until ready to install to protect accessories from loss or damage. Before installing, complete the following steps:

- (1) Consult plans to verify that an Adjoining Room Kit is to be installed at this location.
- (2) Verify the direction of the duct run (left or right).
- (3) Verify that the proper Wall Sleeve (model number PWS(T/U/V)W1SA) is installed. This sleeve is designed specifically for use with the Adjoining Room Kit and differs from our standard Wall Sleeve by having two holes in the top of the Sleeve located 1.5 inches from the front edge of the Sleeve as shown in Figure 2.
- (4) Verify that a minimum of 6.5 inches of exposed Sleeve has been provided, measured from the inside face of the finished wall.

Figure 2:
Wall Sleeve Detail



Installation

The installation of Packaged Terminal Air Conditioners/Heat Pumps and all associated components, parts and accessories that make up the installation shall be in accordance with the regulations of all Authorities having jurisdiction and MUST conform to all applicable Codes. It is the responsibility of the Installing Contractor to determine and comply with ALL applicable Codes and Regulations.

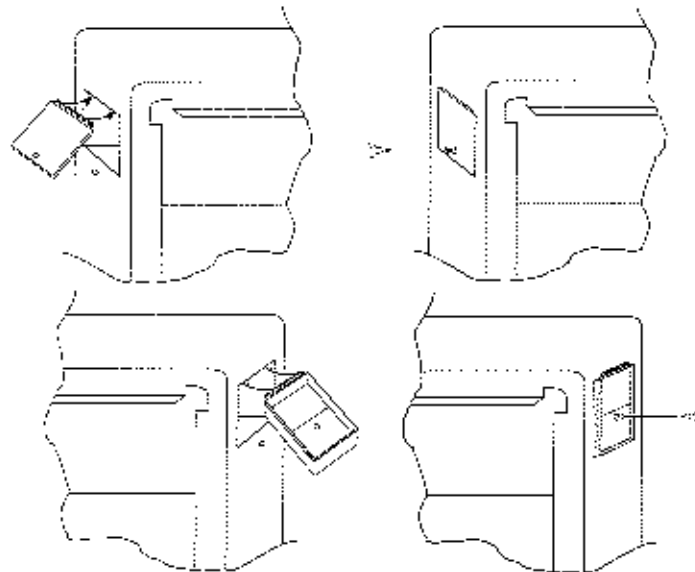
CAUTION

Adjoining Room Kits are made of sheet metal parts and use sheet metal fasteners which may have sharp edges. To avoid possible bodily harm, the installer must exercise all due caution when handling these parts.

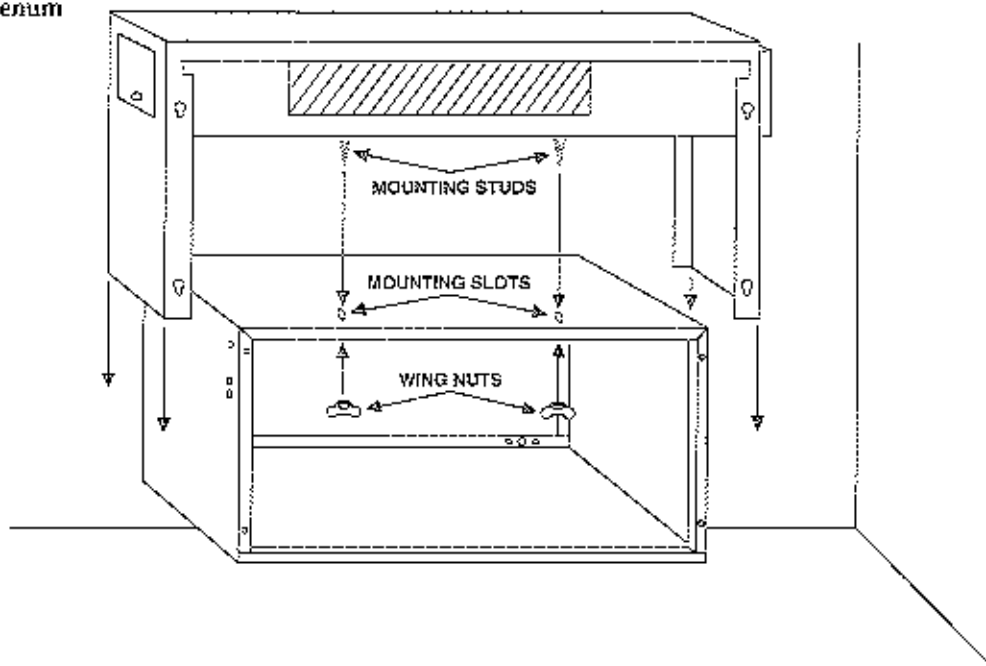
THIS EQUIPMENT MUST ONLY BE INSTALLED BY AN EXPERIENCED INSTALLATION CONTRACTOR WHICH EMPLOYS PERSONNEL TRAINED IN THE INSTALLATION OF THIS TYPE OF EQUIPMENT.

- (1) Remove the Duct Block-off (item 4) from the parts bag. Install over the unwanted opening on the Plenum assembly as shown in Figure 3. NOTE: If right hand discharge is required, position the Block-off over the opening on the left hand side of the Plenum and secure with pan head screw (item 7) from the parts bag. If left hand discharge is required, position Block-off over the opening on the right hand side of the Plenum and secure with a screw from the parts bag.
- (2) Remove the Duct Collar (item 5) from the parts bag and mount over the remaining opening on the Plenum assembly. Secure with the remaining pan head screw from the parts bag as shown in Figure 3.
- (3) Remove the two (2) wing nuts (item 8) from the studs on the bottom of the Plenum (item 2). With the Plenum positioned so that the mounting studs are towards the room, lower the plenum so that the mounting studs are inserted into the slots provided in the Wall Sleeve as shown in Figure 4. Attach the wing nuts to the Plenum.

**Figure 3:
Block-off & Duct
Collar Installation**



**Figure 4:
Mounting the Plenum**

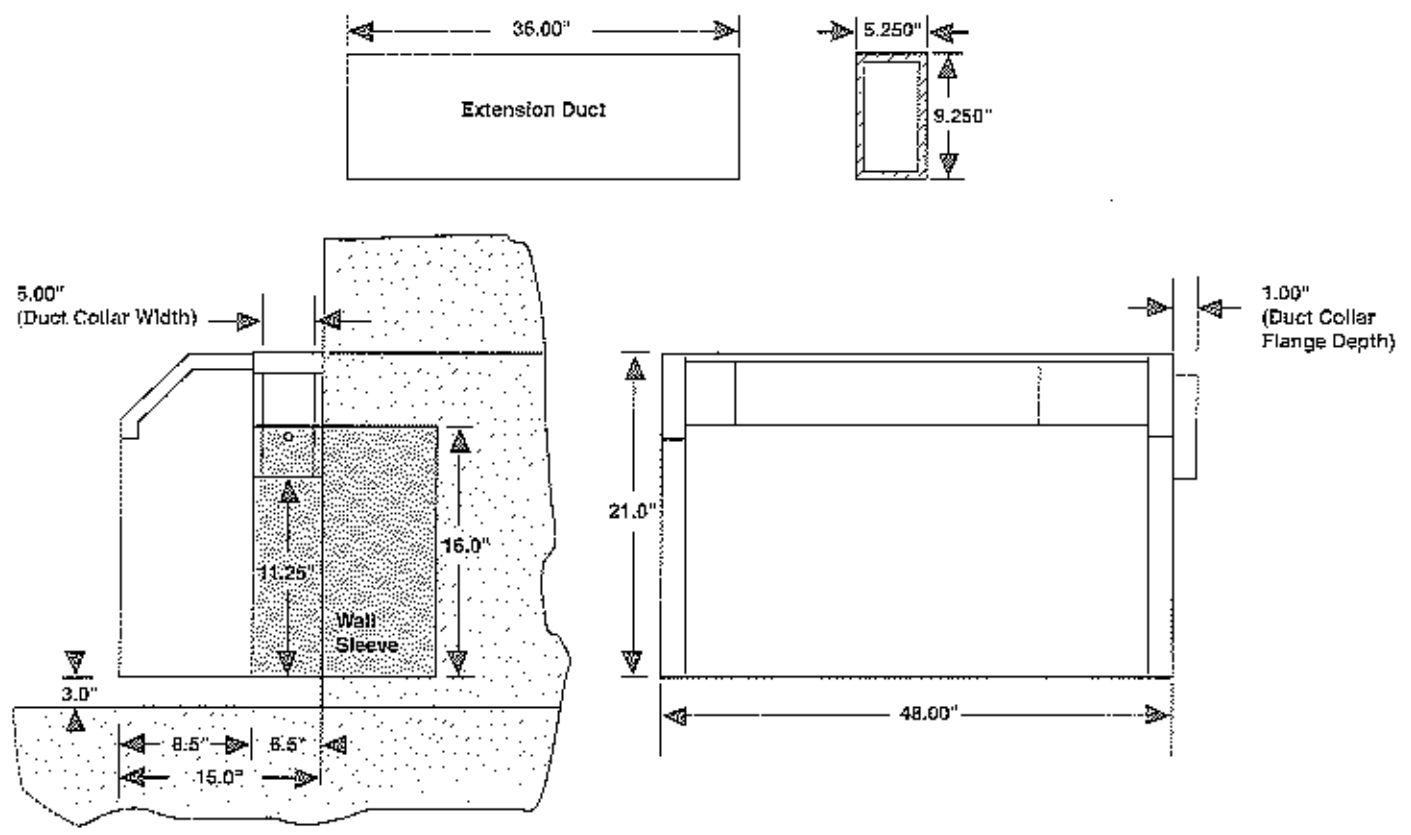


CAUTION

Avoid placing the wall penetration where the wall cavity is obstructed by wiring or plumbing runs.

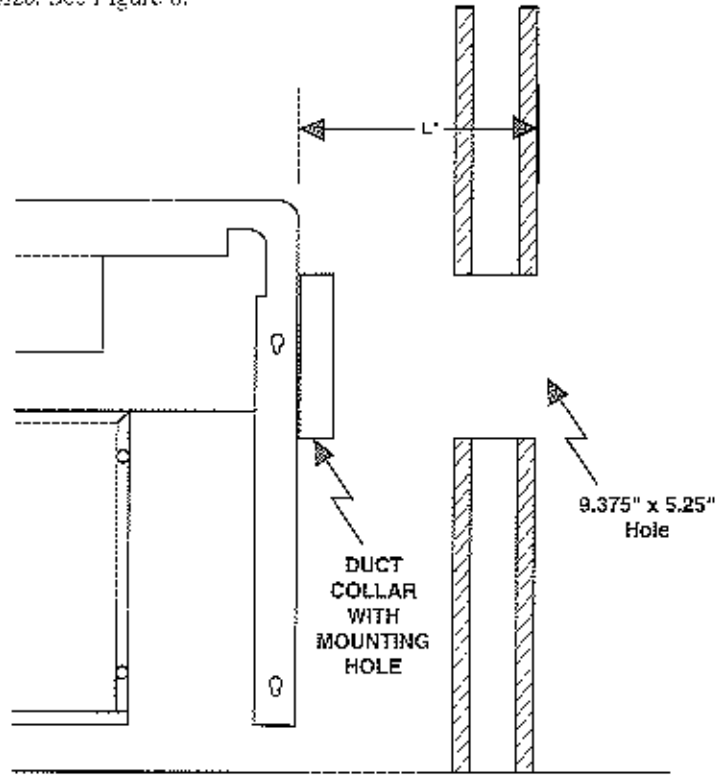
- (4) Cut a 9-3/8-inch x 5-1/4-inch hole through the wall shared with the adjacent room through which the duct should run. Position the hole exactly so that the installed ductwork runs parallel to the floor and the back wall. Refer to Figure 5 for dimensional information.

**Figure 5:
Dimensional Data**



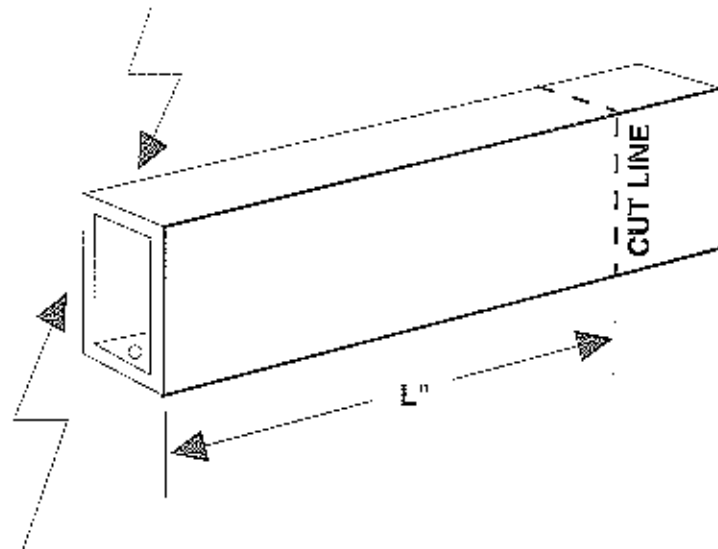
Avoid placing the wall penetration where the wall cavity is obstructed by wiring or plumbing runs.

- (5) Measure through the hole in the wall to determine the distance between the edge of the Plenum and the wall surface of the adjacent room. Cut the Duct Extension (Item 9) to size. See Figure 6.



NOTE: RIVETS SHOULD FACE THE BACK.

Figure 6:
Sizing the Duct Extension



NOTE: FACTORY EDGE OF DUCT EXTENSION SHOULD BE MATED WITH ARK DUCT COLLAR. TWO HOLES ARE SUPPLIED IN THE BOTTOM OF THE DUCT EXTENSION FOR MOUNTING TO THE DUCT COLLAR.

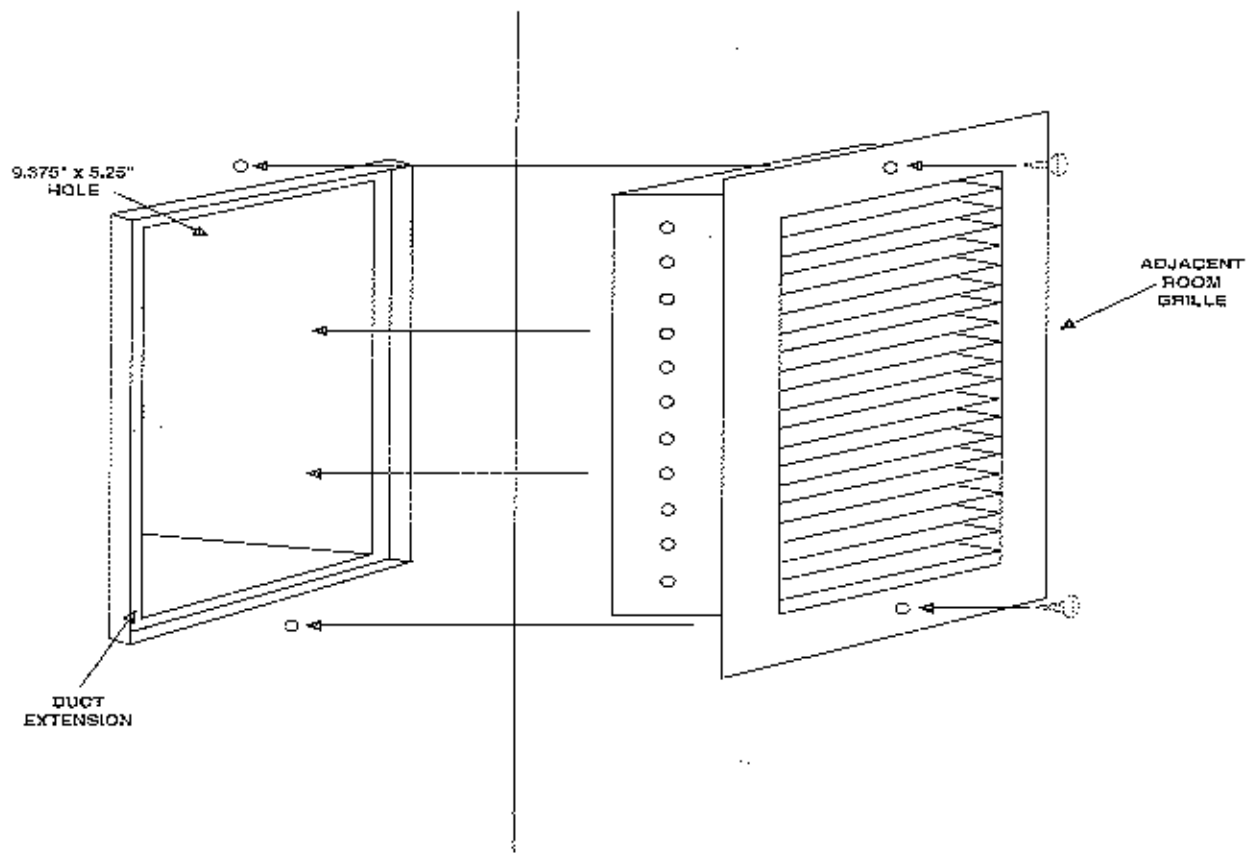
- (6) Position the Duct Extension in the hole. Pull the Duct Extension over the Duct Collar. Match the holes in bottom of the Duct Flange to the holes in the bottom of the Duct Collar. Secure the Duct Extension to the Duct Collar by inserting sheet metal screws through the holes.
- (7) In the adjacent room, slide the Adjacent Room Grille into the Duct Extension and mount the Grille to the wall with the two finish screws provided as shown in Figure 7.

NOTE: Drill holes into the wall and secure screw anchors as necessary.

- (8) **NOTE:** Remove remaining parts from the shipping carton. If the Room chassis is not on site, store remaining parts of the Adjoining Room Kit in its original shipping carton until the job is ready for Chassis installation.

- (9) When the Chassis arrives, remove it from the shipping carton.

Figure 7:
Adjacent Room Grille Installation
(AGSD)

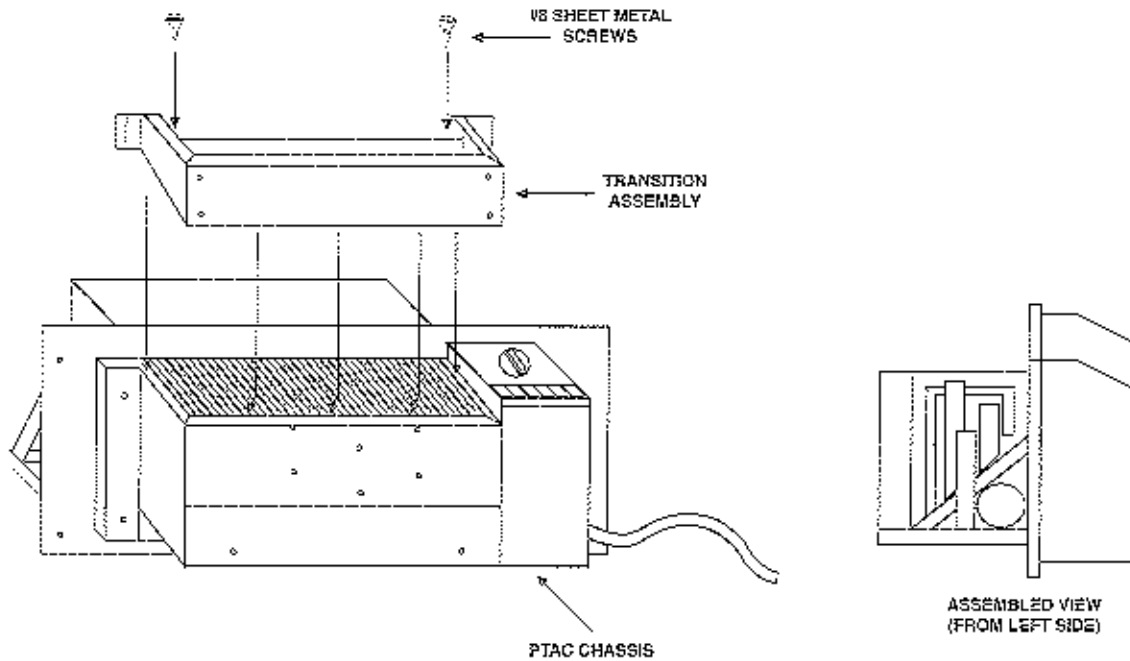


- (10) Position the Air Baffle (item 1) over the Chassis discharge. The 30-inch x 5-inch metal side should face the front as shown in Figure 8. Secure the Air Baffle in place with two (2) sheet metal screws (item 6) from parts bag.
- (11) Install the Chassis based on instructions found in the Chassis & Room Cabinet Installation, Operating and Maintenance Instructions shipped with the unit (part #69563804).

- (12) When the job is ready for the installation of the Room Cabinet, remove the Cabinet from the shipping carton. Grasp both sides of the Room Cabinet. Lift and center the Cabinet above the Chassis and Plenum. Lower the Cabinet, positioning the two hex-head bolts on each side in the rear of the Cabinet over the two key-way holes on each side of the Plenum skirt. Lower the Cabinet into place as shown in Figure 9.

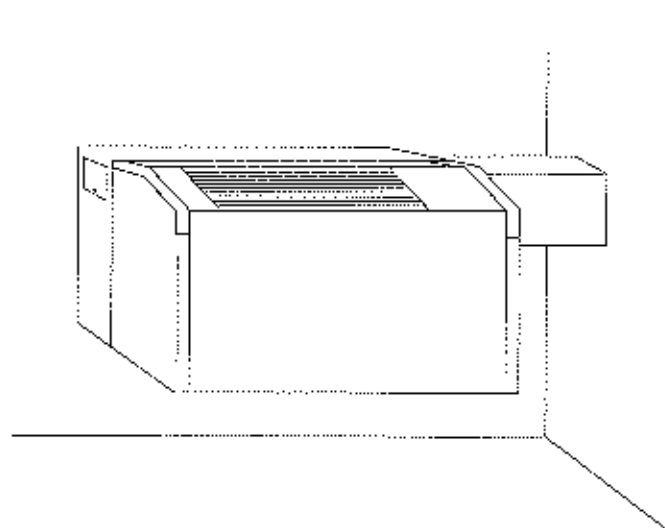
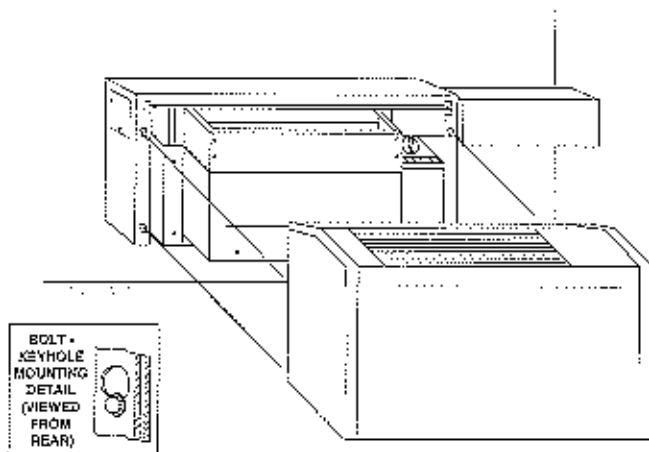
- (13) Figure 10 illustrates the completed installation.

**Figure 8:
Transition Assembly Installation**



**Figure 9:
Cabinet Installation**

**Figure 10:
Complete Assembly**



ACP International Ltd. works continually to improve its products. As a result, the design and specifications of each product at the time for order may be changed without notice and may not be as described herein. Please contact ACP's Customer Service Department at 1-405-416-3100 for specific information on the current design and specifications. Statements and other information contained herein are not express warranties and do not form the basis of any bargain between the parties, but are merely ACP's opinion or commendation of its products.

Doc# ACP-3OM-ARK-0600

Part# 69563805

© 1999 ACP International Ltd.



RoomMate[®]
Air Conditioners and Heat Pumps



P.O. Box 2053
Oklahoma City, OK 73101
Phone 405.416.3100
Fax 405.416.3141