



decentralized air conditioning systems

Installation Instructions Wall Boxes COMMON

700 SERIES — MODELS 7 THRU 17 WALL BOX INSTALLATION

Step 1. Consult plans and specifications to determine exact location of each wall box. Plans should show: (1) height of wall box above finished floor, (2) along-wall position, and (3) depth box is to be recessed into wall or amount of projection beyond wall, if any.

NOTE: There are two standard sizes of wall box: 10 inches deep and 12 inches deep. (Height and width are the same for all.) Make certain that correct wall box depth is used at each location as specified in building plans.

Step 2. Lay up masonry to specified height above finished floor line.

Step 3. Place wall box in correct position on masonry per plans and specifications. Note the following:

[1] Except for panel-wall buildings, mounting flange of wall box must set firmly against finished interior wall. This flange supports both the heating module and the room cabinet. (For panel wall buildings, see Step 6 below.)

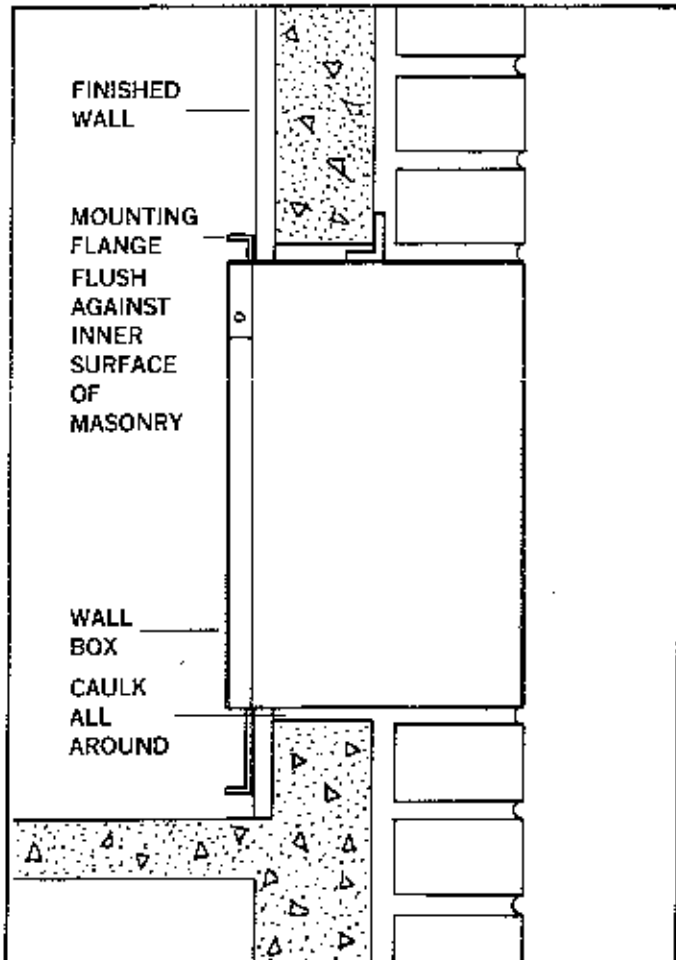
[2] Weather panel and temporary supports must remain in place in wall box until after wall construction is complete. See installation instructions packed with outdoor louver.

Step 4. Level wall box left to right and front to back. Use level on top surface of wall box only; bottom surface is designed to pitch toward outside when top surface is level.

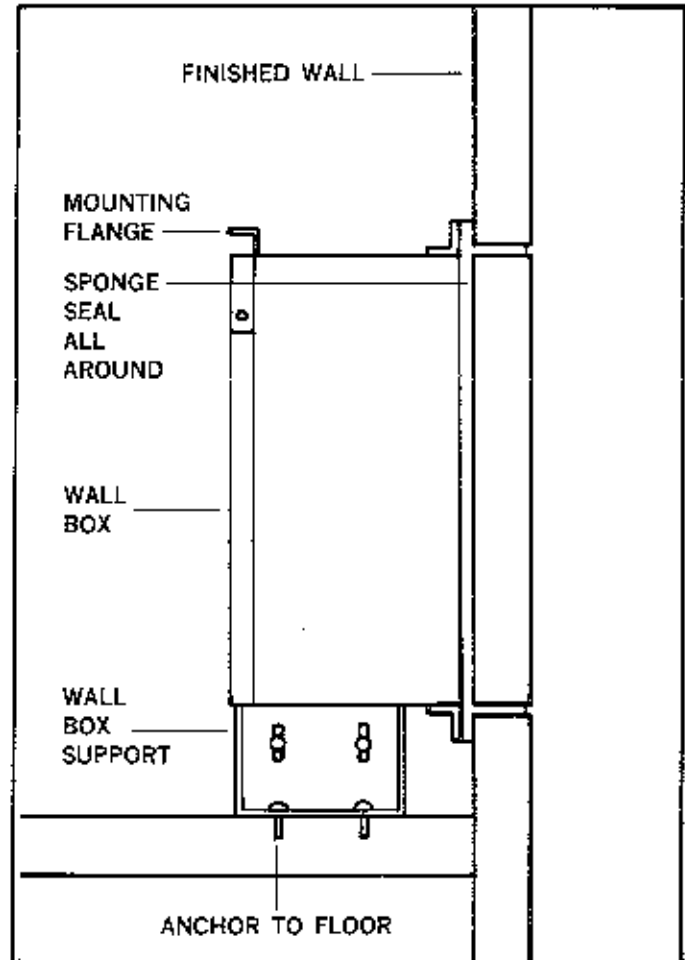
Step 5. Build up masonry around wall box in the usual manner making sure that wall box weep holes are not plugged or obstructed in any way. Interior wall and floor must be completely finished before installing room cabinet.

Step 6. For panel wall construction only, support legs are supplied with wall box. Attach one leg to each end of wall box as shown in sketch, using screws and nuts supplied (2 for each leg). Legs are adjustable plus or minus 1 inch in height to compensate for variations in height of finished floor.

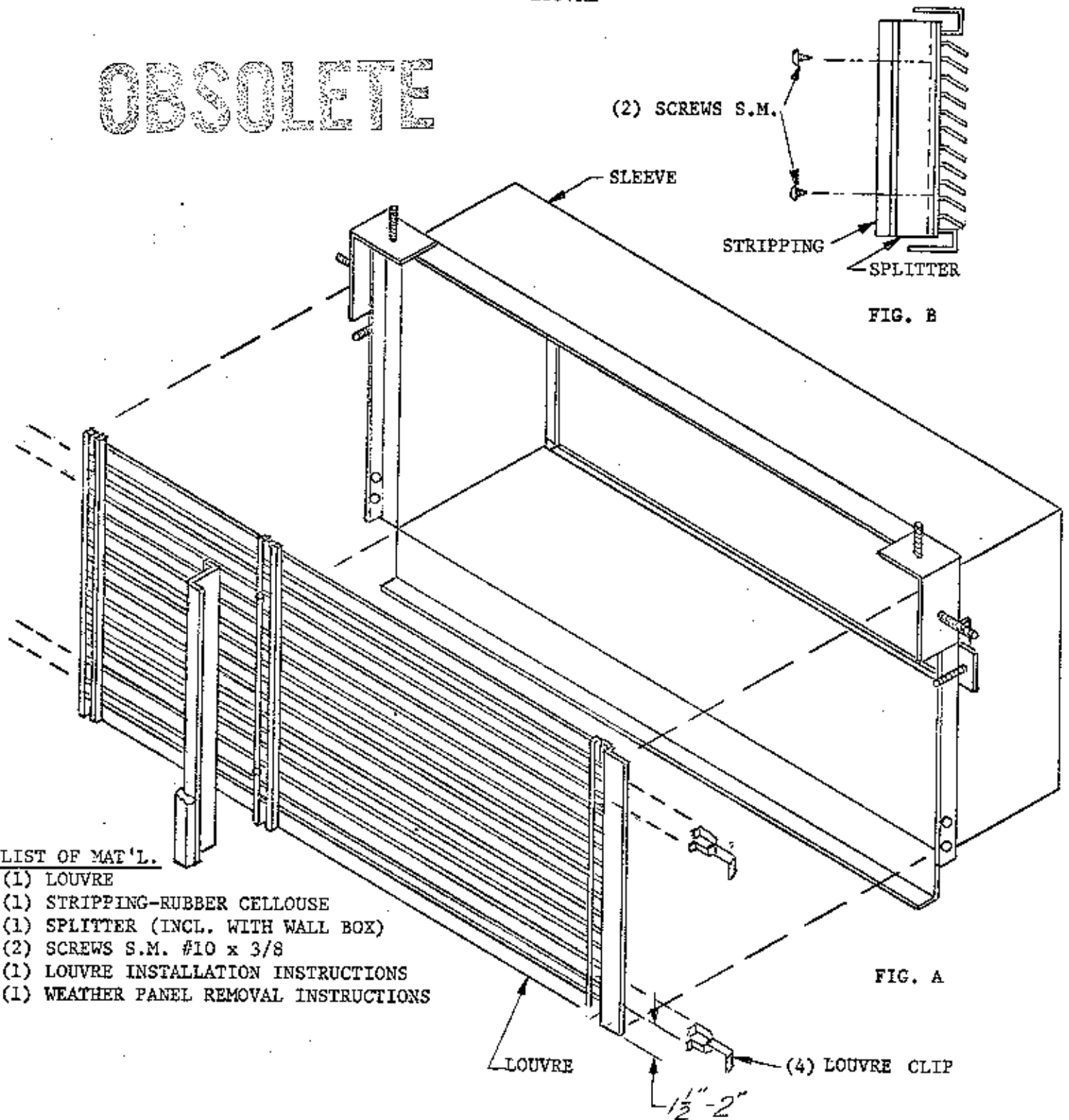
MASONRY WALL INSTALLATION



PANEL WALL INSTALLATION



OBSOLETE



LIST OF MAT'L.

- (1) LOUVRE
- (1) STRIPPING-RUBBER CELLOUSE
- (1) SPLITTER (INCL. WITH WALL BOX)
- (2) SCREWS S.M. #10 x 3/8
- (1) LOUVRE INSTALLATION INSTRUCTIONS
- (1) WEATHER PANEL REMOVAL INSTRUCTIONS

(2) SCREWS S.M.

SLEEVE

STRIPPING

SPLITTER

FIG. B

FIG. A

(4) LOUVRE CLIP

TO INSTALL LOUVRE: LOCATE (4) LOUVRE CLIPS (IN HARDWARE PKG.) 1½ to 2" FROM BOTTOM & TOP & PUSH SECURELY ONTO LOUVRE (FIG.A) POSITION LOUVRE IN OPENING OF SLEEVE AND PUSH UNTIL LOUVRE IS FULLY SEATED AGAINST REAR OF SLEEVE. WHEN LOUVRE IS CORRECTLY INSTALLED, THE OUTER FLANGES ARE FACING OUTWARD AND OPENING DOWNWARD AND THE LOUVRE IS CENTRALLY LOCATED IN THE SLEEVE. (SEE FIG. B)

NOTE: FOR EXTRA DEPTH WALL BOXES A SPLITTER MUST BE INSTALLED AS SHOWN IN FIG. B. USE (2) SCREWS PROVIDED. ATTACH STRIPPING TO SPLITTER. ATTACH THIS ASS'Y TO LOUVRE BEFORE INSTALLING LOUVRE.