



Submittal Data

Flow Centers (FPT)



Project Name:

Contractor:

Engineer:

Part Number: **AFCG1/AFCG2**

Additional Information:

Max. Fluid Temperature: 140° F
 Min. Fluid Temperature: 20° F
 Max. Operating Pressure: 145 psig
 Min. Operating Pressure: 1.3 psig
 Max. Ambient Air Temp: 104° F

Technical Data

Circulator(s): Grundfos Series UP26-99
 Cabinet: ABS plastic
 Insulation: CFC-free, polyurethane foam
 Valves: 1" Full-port, 3-Way, 4-Position flushing and service valve, C37700 brass body, C36000 brass spool, NBR seals, stainless steel retaining ring

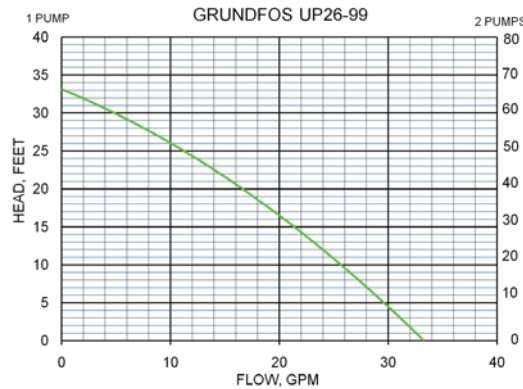
Electrical Data

Motor: 208-230 V, 60 Hz, single phase, 2-pole, UL and CSA approved, internal thermal overload protection, insulation class F

	Part Number	Pump Motor	Nominal HP	Volts	Amps*	Watts*	Capacitor*	Pump Housing (Volute)
Single	AFCG1	UP26-99 1x230V	1/6	208-230	1.07	245	2.5 µf/380V	Cast Iron
Double	AFCG2	UP26-99 1x230V	1/6	208-230	1.07	245	2.5 µf/380V	Cast Iron

*Data is maximum per pump

Pump Performance Curve



Curves are manufacturer's reported averages using water at 68° F.

Pump Power Curve



Approved Antifreeze

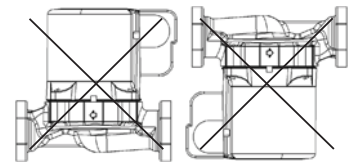
Ethanol
 Methanol
 Propylene Glycol

Mounting

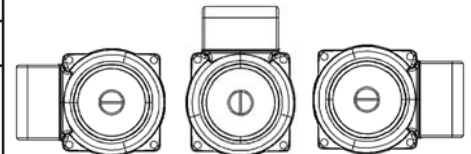
Module can be installed in both horizontal and vertical lines.

Module must be installed with the pump's motor shaft horizontal.

Do not install module with the pump's motor shaft vertical.



The terminal box should be located in one of the following orientations:

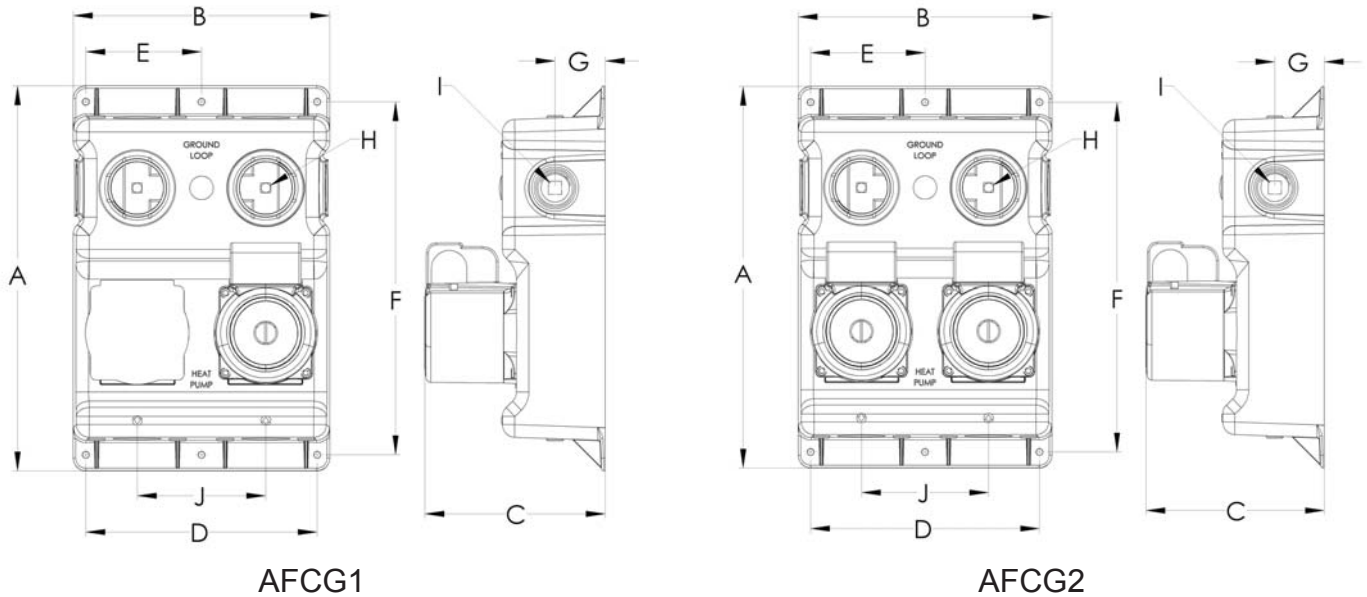


Module should be mounted indoors only.



7300 S.W. 44th Street
 Oklahoma City, OK 73179
 Phone: 405-745-6000
 Fax: 405-745-6058
 climatemaster.com | cmdealernet.com

Dimensional Data AFCG1 / AFCG2



	A	B	C	D	E	F	G	H	I	J	WEIGHT		
											LBS	KG	
Inches	15	10	7	9	4 1/2	13 3/4	2	3/8" DRIVE SOCKET	1/2" DRIVE SOCKET	5	Single	32.2	14.6
CM	38.1	25.4	17.8	22.9	11.4	34.9	5.1			12.7	Double	37.8	17.1

Fluid connections are 1" NPT (female).

AFCG1 can be field upgraded to a AFCG2 by replacing the blank plate with a pump motor.

AFCG2 can be field modified to AFCG1 by replacing pump motor with blank plate.

Includes: (2) 1/4" X 2-1/2" long hex head lag screws
 (4) #10 X 3/4" slotted hex head sheet metal screws



7300 S.W. 44th Street
 Oklahoma City, OK 73179
 Phone: 405-745-6000
 Fax: 405-745-6058
 climatemaster.com | cmdealernet.com