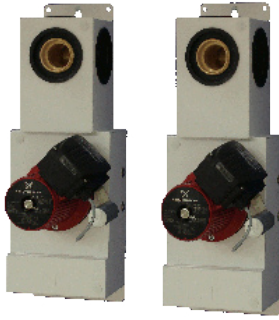


Extreme Flow

Submittal Data

VersaFlo® UPS32-160 Double Pump Module



Project Name:

Contractor:

Engineer:

Order Number:

Additional Information:

Technical Data

Circulator(s): Grundfos Series UPS32-160, 3-Speed, cast iron pump volute
 Cabinet: Powder-coated steel
 Insulation: CFC-free, polyurethane foam
 Valving: 2" Full-port, 3-Way, 4-Position flushing and service valve, Forged Brass, C37700, NBR seals

Max. Fluid Temperature: 140° F
 Min. Fluid Temperature: 20° F
 Max. Operating Pressure: 145 psi
 Min. Operating Pressure: 11.6 psi
 Ambient Air Temp: 32° to 104° F

Electrical Data

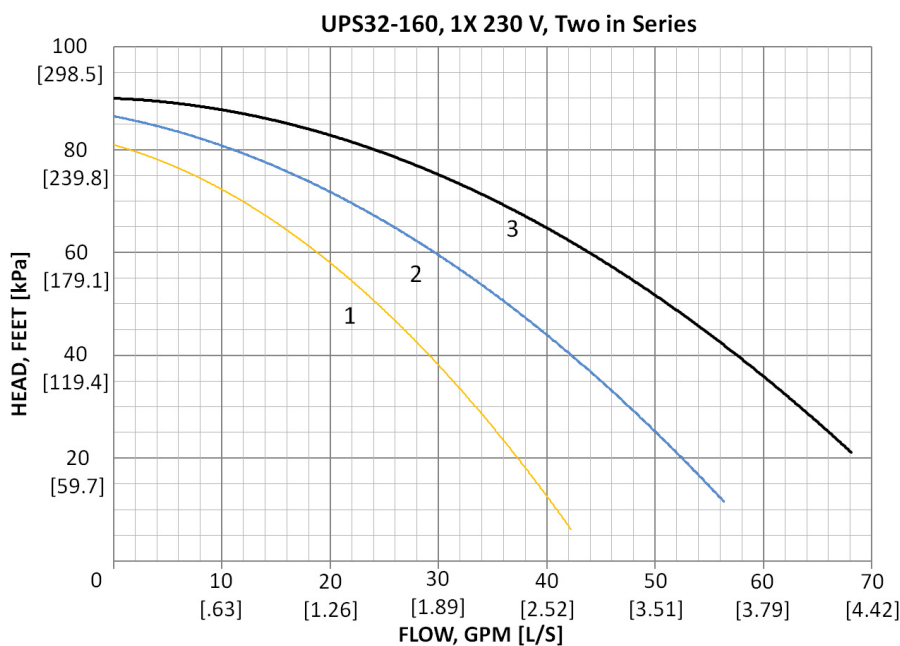
Motor: 230 Volt, 60 Hz, single phase, 2-pole, UL listed, internal thermal overload protection, insulation class H

Capacitor: 16 µF/400 V

Model	Max HP* (Speed 3)	Speed*	RPM*	Amps*	Watts*	Starting Amps*
UPS32-160, 1 X 230 V	3/4	3	3477	2.9	625	6.7
		2	3399	2.9	600	6.7
		1	3281	2.75	555	6.35

*Data is per pump

Pump Performance Curve



Curves are manufacturer's reported averages using water at 68° F.

VersaFlo® is a registered trademark of Grundfos Pumps Corporation.

Approved Antifreeze

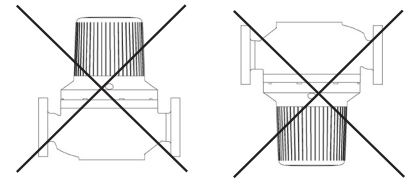
Ethanol
 Methanol
 Propylene Glycol

Mounting

Module can be installed in both horizontal and vertical lines.

Module must be installed with the pump's motor shaft horizontal.

Do not install module with the pump's motor shaft vertical.



The terminal box should be located in one of the following orientations:

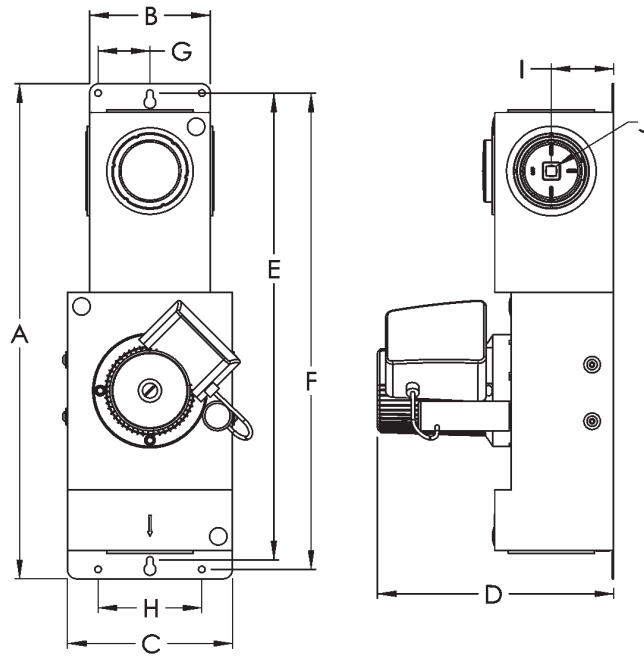


Module should be mounted indoors only.



7300 S.W. 44th Street
 Oklahoma City, OK 73179
 Phone: 405-745-6000
 Fax: 405-745-6058
 climatemaster.com | cmdealernet.com

Dimensional Data VersaFlo® UPS32-160 Double Pump Module



	A	B	C	D	E	F	G	H	I	J
Inches	26-1/4	6-3/8	8-3/4	12-1/2	24-3/4	25-1/4	2-3/4	5-1/2	3-5/16	1/2" DRIVE SOCKET
CM	66.7	16.3	22.2	31.8	62.9	64.1	7	14	8.4	

Item	Shipping Weight
Insulated Pump/Valve	78 lbs
Total*	156 lbs

* Double pump module consists of two insulated pump/valve cabinet assemblies. Each assembly is packaged separately.