

Extreme Flow

Submittal Data

VersaFlo® UPS32-160 Single Pump Module



Project Name:

Contractor:

Engineer:

Order Number:

Additional Information:

Technical Data

Circulator(s): Grundfos Series UPS32-160, 3-Speed, cast iron pump volute
 Cabinet: Powder-coated steel
 Insulation: CFC-free, polyurethane foam
 Valving: 2" Full-port, 3-Way, 4-Position flushing and service valve, Forged Brass, C37700, NBR seals

Max. Fluid Temperature: 140° F
 Min. Fluid Temperature: 20° F
 Max. Operating Pressure: 145 psi
 Min. Operating Pressure: 11.6 psi
 Ambient Air Temp: 32° to 104° F

Electrical Data

Motor: 230 Volt, 60 Hz, single phase, 2-pole, UL listed, internal thermal overload protection, insulation class H

Capacitor: 16 µF/400 V

Model	Max HP (Speed 3)	Speed	RPM	Amps	Watts	Starting Amps
UPS32-160, 1 X 230 V	3/4	3	3477	2.9	625	6.7
		2	3399	2.9	600	6.7
		1	3281	2.75	555	6.35

Approved Antifreeze

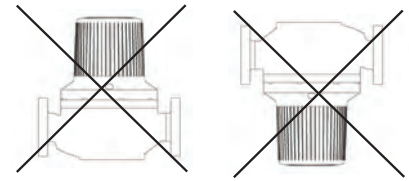
Ethanol
 Methanol
 Propylene Glycol

Mounting

Module can be installed in both horizontal and vertical lines.

Module must be installed with the pump's motor shaft horizontal.

Do not install module with the pump's motor shaft vertical.

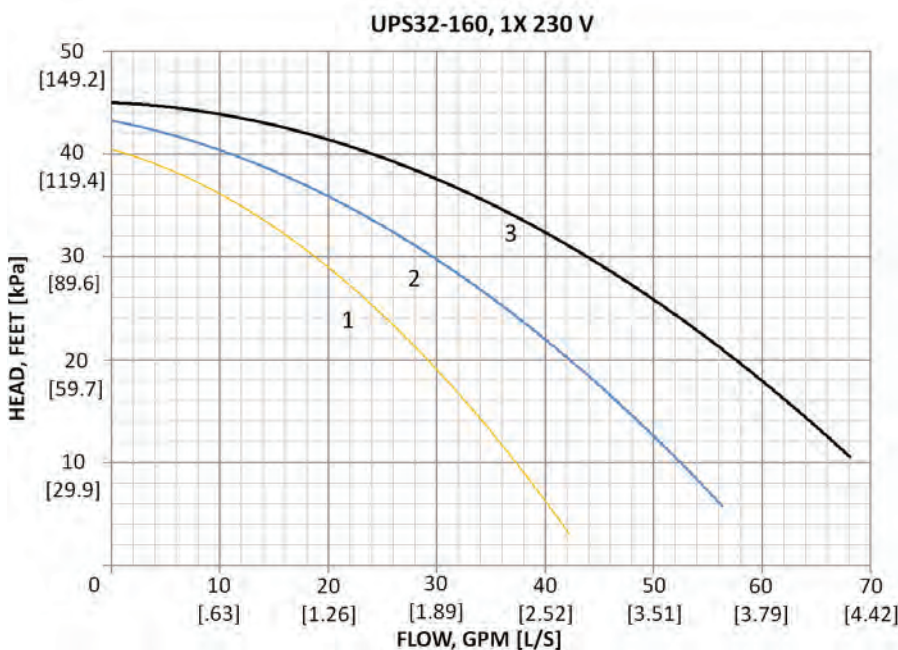


The terminal box should be located in one of the following orientations:



Module should be mounted indoors only.

Pump Performance Curve



Curves are manufacturer's reported averages using water at 68° F.

VersaFlo® is a registered trademark of Grundfos Pumps Corporation.



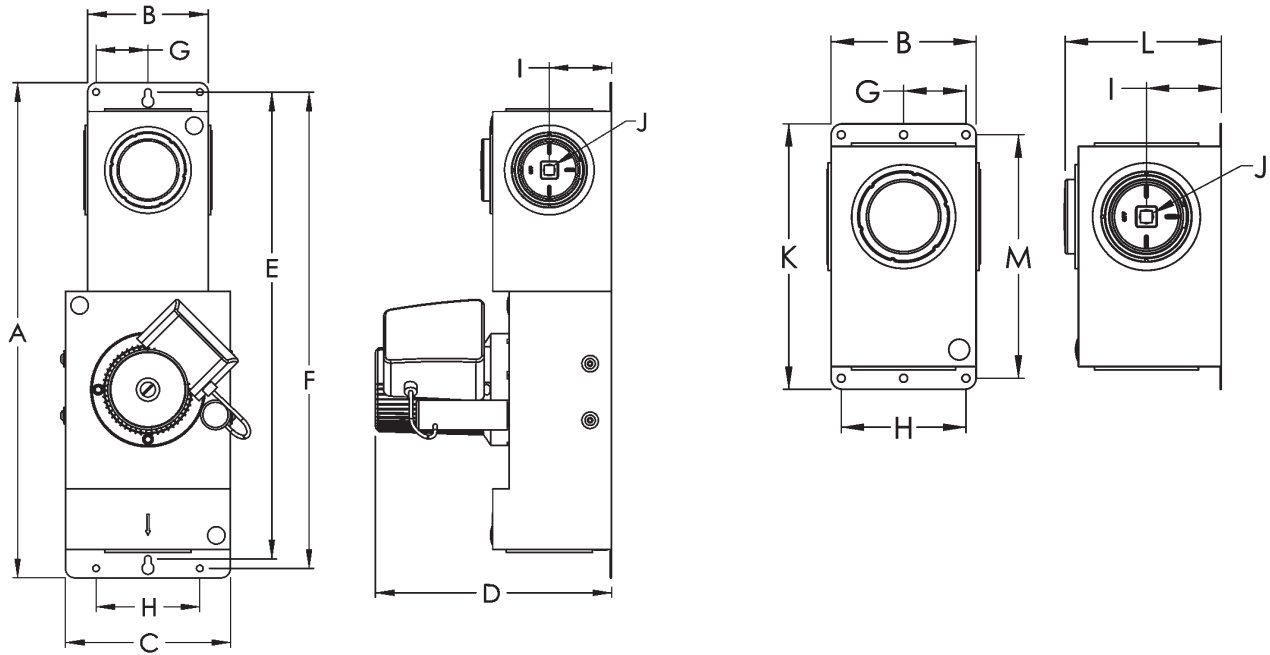
7300 S.W. 44th Street
 Oklahoma City, OK 73179

Phone: 405-745-6000

Fax: 405-745-6058

climatemaster.com | cmdealernet.com

Dimensional Data VersaFlo® UPS32-160 Single Pump Module



	A	B	C	D	E	F	G	H	I	J	K	L	M
Inches	26-1/4	6-3/8	8-3/4	12-1/2	24-3/4	25-1/4	2-3/4	5-1/2	3-5/16	1/2" DRIVE SOCKET	11-3/4	6-7/8	10-3/4
CM	66.7	16.3	22.2	31.8	62.9	64.1	7	14	8.4		29.8	17.5	27.3

Item	Shipping Weight
Valve Cabinet	18.25 lbs
Insulated Pump/Valve	70.00 lbs
Total*	88.25 lbs

*The insulated valve and insulated pump/valve are packaged separately.