



CALIFORNIA HEAT PUMP COMPANY MODEL NUMBERING SYSTEM

TCH/V

For Use When Specifying or Ordering California Heat Pump Units

EXAMPLE:

CAPACITY: 42,000 BTUH
 TYPE: vertical, right return air intake position
 ELECTRICAL: 208/230 volts, 60 hertz, 3 phase
 WATER COIL: cupro-nickel
 CONTROL: 24 volts for remote thermostat

MODEL NUMBER:

4 2 V R 3 2 - N 7

PRODUCT OPTIONS (One or more letters)

CONTROL ARRANGEMENT

- 1 = Unit mounted manual changeover, standard
- 2 = Unit mounted manual changeover, with night set-back
- 3 = Unit mounted manual changeover, with random start
- 4 = Unit mounted auto changeover, standard
- 5 = Unit mounted auto changeover, with night set-back
- 6 = Unit mounted auto changeover, with random start
- 7 = 24 volt controls for remote thermostat, standard
- 8 = 24 volt controls for remote thermostat, with night set-back
- 9 = 24 volt controls for remote thermostat, with random start
- 0 = 24 volt controls, unit mounted thermostat
- S = Other special controls

X = " " " " (Hi-Rise)
 Y = No Controls

WATER COIL

- C - Copper (Standard)
- N - 90/10 Cupro-Nickel (Optional)

VOLTAGE

- 1 = 115
- 2 = 208/230
- 3 = 265
- 4 = 460

PHASE

- 1 = Single
- 3 = Three

APPROX. COOLING CAPACITY x 1000

Consoles	Horiz.	Vert.	Hi-Rise
07	9		10
09	12	13	15
12	22	22	20
16	26	26	28
19	33	33	30
	42	42	36
	52	52	
	61	61	

SR Console without cabinet
 SL

TYPE OF UNIT

- CR - Console, Right Hand Piping (Standard)
- CL - Console, Left Hand Piping (Optional)
- VL - Vertical, Left Return Air (Standard)
- VR - Vertical, Right Return Air (Optional)
- HF - Horizontal, Front Return Air*
- HR - Horizontal, Rear or Right Return Air*
- RE - Exposed Hi-Rise
- RF - Furred-in Hi-Rise
- RD - Double Hi-Rise, Furred-in

RY - No Cabinet

NOTE: Not all options are available with all models.

DESIGN MODIFICATION (See Spec. Shts.)

except Hi-Rise where electric heat is identified here.

*Front Return Air is standard for sizes 22, 26, 33 and 42 Horizontal units, with Rear Return optional. Size 09, 12, 52 and 61 Horizontal units are supplied with return air entering at the right end.

TCH, V



CALIFORNIA HEAT PUMP COMPANY MODEL NUMBERING SYSTEM

For Use When Specifying or Ordering California Heat Pump Units

EXAMPLE:

CAPACITY - 42000 BTUH
TYPE - vertical, right return air intake position
ELECTRICAL - 208/230 Volts, 60 Hertz, 3 phase
CONDENSER - cupro-nickel
CONTROL - 24 volts for remote thermostat

Same unit as previous page. the CHP is often left off.

MODEL NUMBER:

CHP - 4 2 VR - 3 2 - N 7

PREFIX

California Heat Pump

CONTROL ARRANGEMENT

- 1 = Unit mounted manual changeover, standard
- 2 = Unit mounted manual changeover, with night set-back
- 3 = Unit mounted manual changeover, with random start
- 4 = Unit mounted auto changeover, standard
- 5 = Unit mounted auto changeover, with night set-back
- 6 = Unit mounted auto changeover, with random start
- 7 = 24 Volt controls for remote thermostat, standard
- 8 = 24 Volt controls for remote thermostat, with night set-back
- 9 = 24 Volt controls for remote thermostat, with random start
- 0 = 24 Volt controls, unit mounted thermostat
- S = Other special controls

APPROX. COOLING CAPACITY x 1000

Consoles	Verticals & Horizontals	Hi-Rise
07	13	10
09	22	15
12	26	20
16	33	28
19	42	30
	53	36
	61	

CONDENSER MATERIAL

- C - Copper Condenser (Standard)
- N - Cupro-Nickel Condenser (Optional)

TYPE OF UNIT

- CR- Console, Right Hand Piping (Standard)
- CL- Console, Left Hand Piping (Optional)
- VL- Vertical, Left Return Air (Standard)
- VR- Vertical, Right Return Air (Optional)
- HF- Horizontal, Front Return Air (Standard)
- HR- Horizontal, Rear Return Air (Optional)
- RX- Exposed Hi-Rise
- RF- Furred-in Hi-Rise
- RD- Double Hi-Rise, Furred-in

VOLTAGE

- 1 = 115
- 2 = 208/230
- 3 = 265
- 4 = 460

PHASE

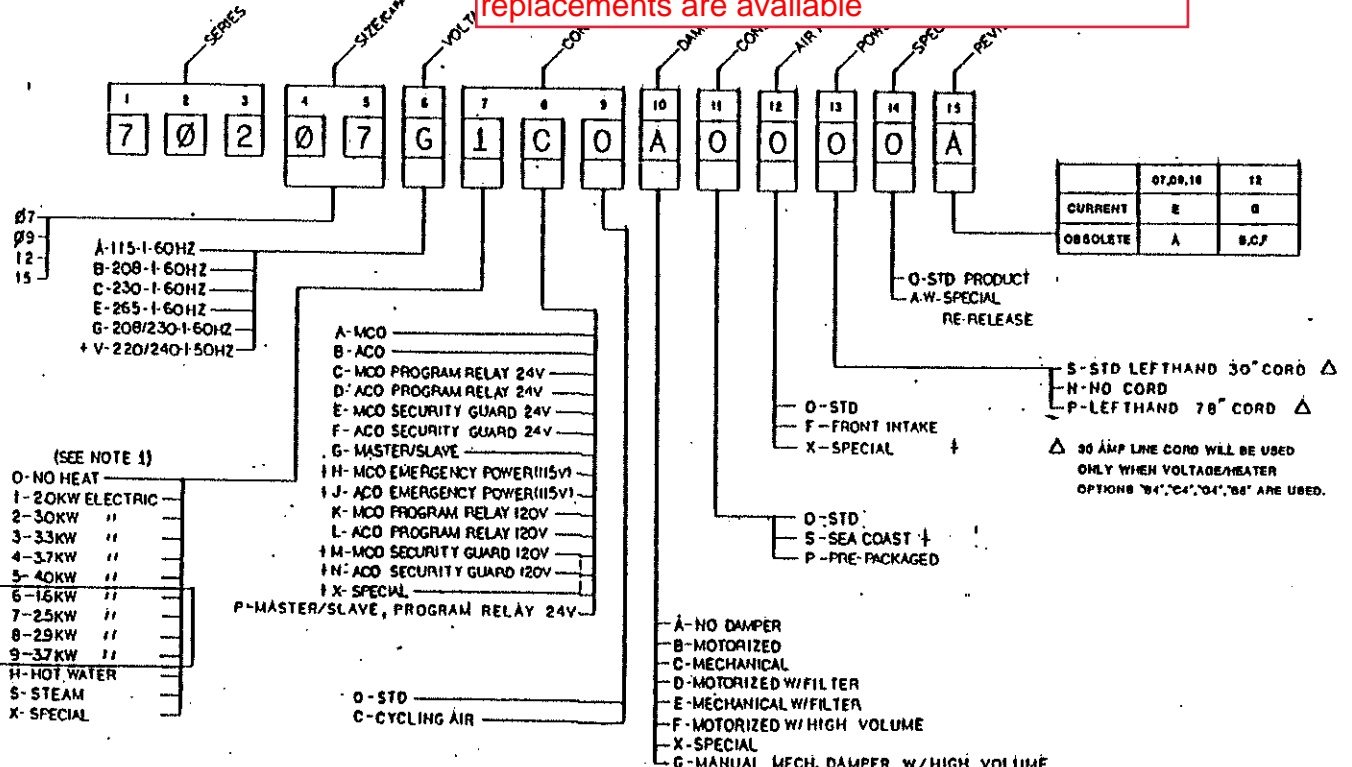
- 1 = Single
- 3 = Three

NOTE: Not all options are available with all models.

PTAC NRA

The 700 series are all PTAC's and no replacements are available

- NOTES:**
NOTE 1:
 JOBSITE VOLTAGE MUST BE KNOWN TO IDENTIFY ELECT. HT. SELECTION PER THE FOLLOWING:
 1 20KW/208V, 2.45KW/230V
 2 30KW/208V, 3.7KW/230V
 3 33KW/265V
 4 3.7KW/208V, 4.5KW/230V
 5 4.0KW/208V, 4.0KW/265V
 6 1.6KW/208, 2.0KW/230V, 2.7KW/265V
 7 2.5KW/208, 3.0KW/230V, 4.0KW/265V
 8 2.9KW/208V, 3.5KW/230V
 9 3.7KW/208V



- NOTE 3:**
 20A LINE CORD WILL BE USED WITH A 15A OR 20A CIRCUIT BREAKER POWER CONNECTION

- (SEE NOTE 1)
 O-NO HEAT
 1-20KW ELECTRIC
 2-30KW "
 3-33KW "
 4-3.7KW "
 5-40KW "
 ++ 6-16KW "
 ++ 7-25KW "
 ++ 8-29KW "
 ++ 9-37KW "
 H-HOT WATER
 S-STEAM
 † X-SPECIAL
 ++ 704 STYLE HTR
 † NON-UL
 † NOT AVAILABLE ON-06,-08

68417000 AS SHOWN

21	CHANGED REV. CODE CHART/ADDED 30 AMP NOTE	DISTRIB	8/28/84
20	DELETED NOTE #2	DISTRIB	8-5-85
19	ADDED "G" SUFFIX FOR 18C COILS		6/12/84
18	EXTENSIVE REVISIONS		4/18/83
17	DELETE DC, DS, IR, IS FROM "E" SUFFIX; ADD OS, OS TO "E" SUFFIX; ADD "P" SUFFIX RE-RELEASE	DISTRIB	1/11/83
16	ADDED "E" SUFFIX FOR 20A W/UL COILS	DISTRIB	11/2/82
15	REVISED "V" TO 50HZ, NON U.L.	DISTRIB	5-6-85
14	REVISED "REV" ADDED C REV. TO REV. CODE	DISTRIB	3-4-85

684170
 DATE: 12-12-84 SH1 OF 1

684170	REV. 2	DATE 12/12/84	DESCRIPTION	ECO. NO.	DATE	APPROVED
	ClimateMaster			207 BORO-GROVE PLACE		
702 PRODUCT CODING CHASSIS			UTICA, N.Y. 12501			
684170			REV. 12/12/84			
SCALE 2			1 1 1			

703 PRODUCT CODING

CHASSIS

LRHP**

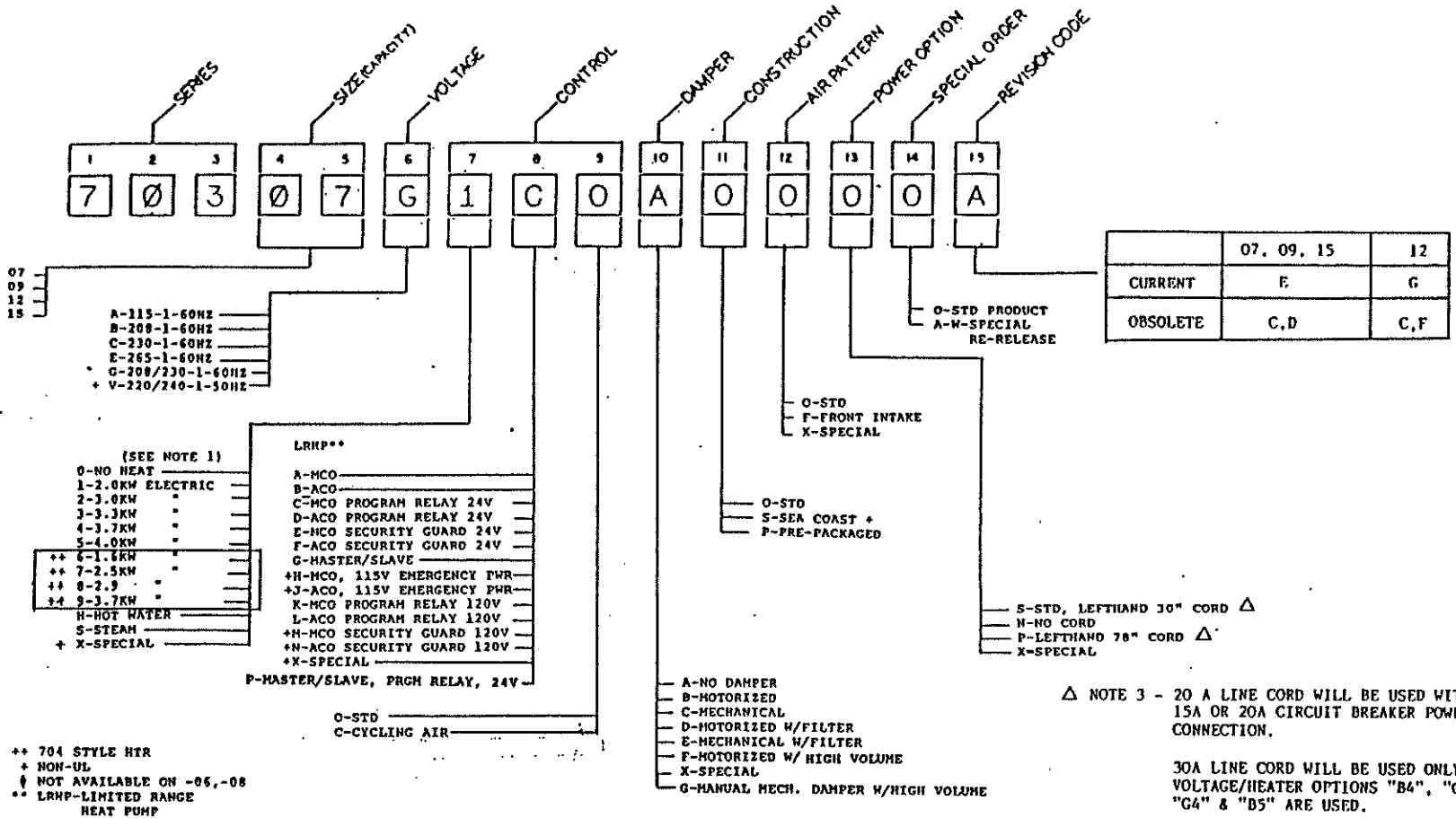
NOTES:

NOTE 1:

JOB SITE VOLTAGE MUST BE KNOWN TO IDENTIFY ELECT. HT. SELECTION PER THE FOLLOWING:

1. 2.0KW/208V, 2.45KW/230V
2. 3.0KW/208V, 3.7KW/230V
3. 3.3KW/265V
4. 3.7KW/208V, 4.5KW/230V
5. 4.0KW/208V, 4.0KW/265V
6. 1.6KW/208, 2.0KW/230V, 2.7KW/265V
7. 2.5KW/208, 3.0KW/230V, 4.0KW/265V
8. 2.9KW/208V, 3.5KW/230V
9. 3.7KW/208V

PTAC **NRA**



17	DELETED NOTE: Z		8-8-88	
16	ADDED "G" SUFFIX FOR IEC COILS		6-18-88	
15	EXTENSIVE REVISION		6-16-88	
14	DELETE 70308, 12, 14 FROM 'E' SUFFIX; ADD 'F' SUFFIX FOR 70312 ONLY; ADD 07, 09 TO 'E' SUFFIX		3/1/88	
13	Added "E" Suffix for IEC Coils	LV	4/2/87	
REV	DESCRIPTION	DISTRIB	DATE	APPR

18	CHN'D REV CODE CHART & NOTE J.	DISTRIB	4/22/89
REV	DESCRIPTION	ECN	DATE

△ NOTE 3 - 20 A LINE CORD WILL BE USED WITH A 15A OR 20A CIRCUIT BREAKER POWER CONNECTION.
30A LINE CORD WILL BE USED ONLY WHEN VOLTAGE/HEATER OPTIONS "B4", "C4", "G4" & "D5" ARE USED.

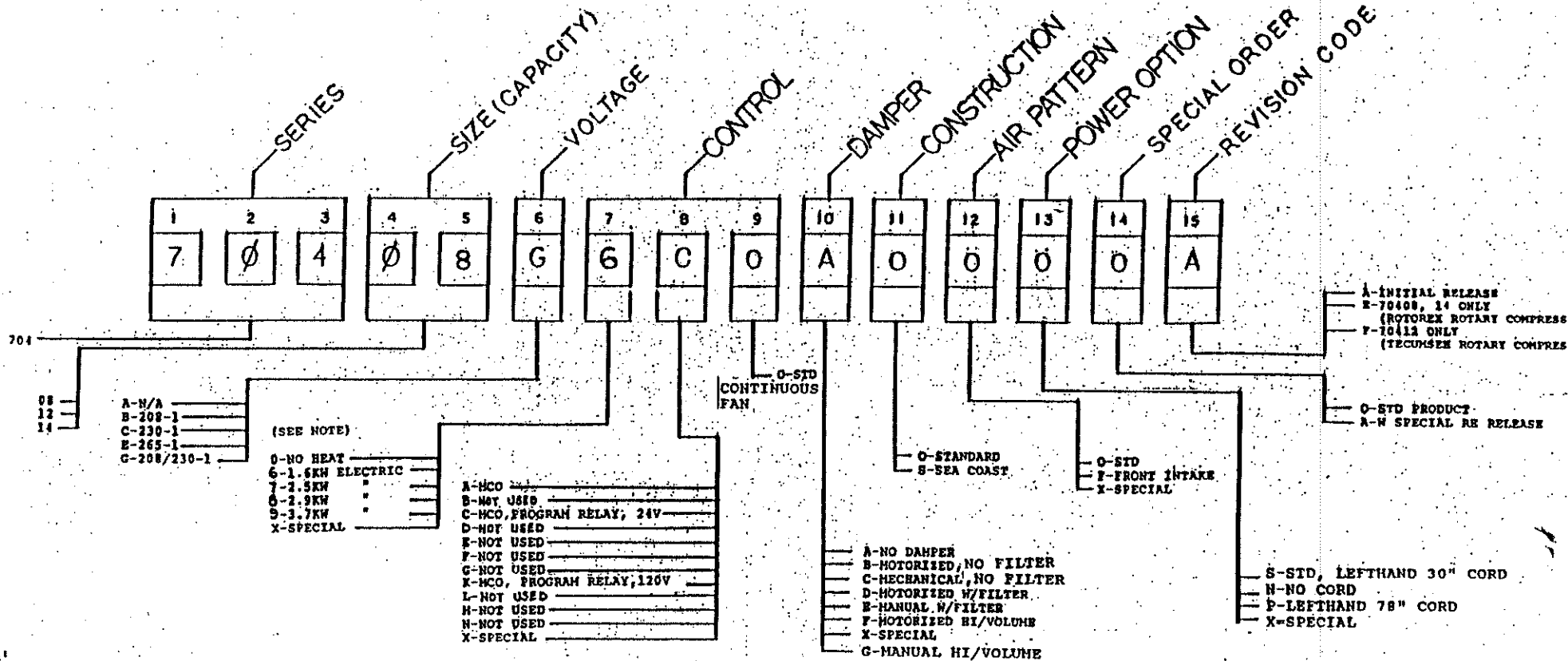
684799
REV. 18

PTAC

NRA

PTAC

704 MAX RANGE CHASSIS MRHP



NOTE 1: JOBSITE VOLTAGE MUST BE KNOWN TO IDENTIFY ELECT. HEAT SELECTION PER THE FOLLOWING:

6-1.6KW/208V, 2.0KW/230V, 2.7KW/265V
7-2.5KW/208V, 3.0KW/230V, 4.0KW/265V
8-2.9KW/208V, 3.5KW/230V,
9-3.7KW/208V

*MAX RANGE HEAT PUMP
+NOT AVAILABLE ON -08.

06	DELETED NOTE 2; J ++ LTS -NOTE	8-5-88
05	EXTENSIVE REVISION	6-16-88
04	DROP USE 04; ADD 'E' SUFFIX FOR -08-14 ONLY; ADD 'F' SUFFIX FOR -12 ONLY	3/4/88
03	DELETE "C" IN 9th CHARACTER	6/20/88

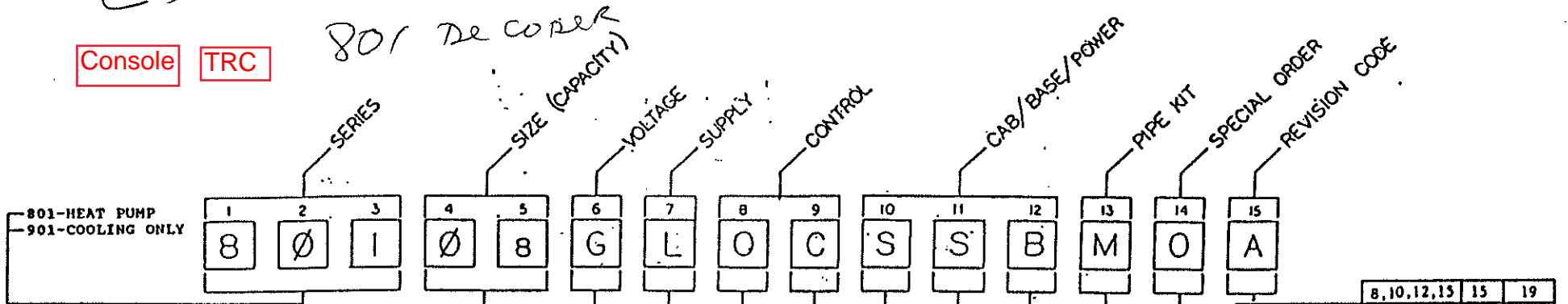
68354000

801 PRODUCT CODING

CS CL

Console TRC

801 DE COVER



801-HEAT PUMP
901-COOLING ONLY

- 08 ** A - 115V - 1
- 10 B - 208 - 1
- 12 C - 230 - 1
- 15 E - 265 - 1
- 19 G - 208/230 - 1
- + V - 208/230-1-50
- + NON UL

- + 0 - NO ELECTRIC HEAT
- (A) 1 - 1.0 KW ELECTRIC
- (B) 2 - 1.5 KW
- (C) 3 - 2.0 KW
- (D) 4 - 3.0 KW
- (E) 5 - 3.7 KW

- A-MCO, UL
- B-ACO, UL
- C-MCO, PROGRAM RELAY, UL
- D-ACO, PROGRAM RELAY, UL
- E-MCO, SECURITY GUARD, UL
- F-ACO, SECURITY GUARD, UL
- G-MASTER/SLAVE, UL AND REMOTESTAT Δ
- X-SPECIAL

- A - STD UNIT STD CAB W/ FINISHED BACK PANEL W/ LOCKING DOOR
- F - STD UNIT STD CAB W/ FINISHED BACK PANEL
- O - NO CABINET
- S - STD UNIT STD CAB
- L - STD UNIT LOCK CAB
- H - STD UNIT HS CAB
- +X - SPECIAL
- J - STD CAB W/ BAR GRILLE

BELOW LISTED OPTIONS FOR USE WITH SIZES 08, 10, 12 ONLY

- B - 52" COMP UNIT STD CAB W/ FINISHED BACK PANEL W/ LOCKING DOOR
- C - 52" COMP UNIT STD CAB W/ FINISHED BACK PANEL
- D - 52" COMP UNIT STD CAB
- E - 52" COMP UNIT LOCK DOOR
- G - 52" COMP UNIT HS CAB
- H - 52" NO CAB
- K - 52" STD CAB W/BAR GRILLE

- BASE TYPE
- O - NO BASE
 - S - STD BASE
 - D - MOTORIZED DAMPER
 - F - MANUAL DAMPER
 - +X - SPECIAL

	8, 10, 12, 15	15	19
STANDARD	B	-	A
TRANE	U	V	T
SPL 48" +	---	C	---
OBSOLETE	A, T	---	---

- PIPE KITS
- POWER TERMINATION
- A - JUNCTION BOX
 - B - 20A LINE CORD
 - C - 20A LINE CORD & RECEPT.
 - D - 20A LINE CORD & DISCONN.
 - E - 20A LINE CORD & 15A CRKT BRK.
 - F - 20A LINE CORD & 20A CRKT BRK.
 - G - 30A LINE CORD
 - H - 30A LINE CORD & RECEPT.
 - J - 30A LINE CORD & DISCONN.
 - K - 30A LINE CORD & 30A CRKT BRK.
 - X - SPECIAL
 - V - 4 X 4 J BOX W/DISCONNECT

- O - NONE
- U - UNION
- H - MPT
- F - FPT
- B - BALL VALVE
- H - HYDRONIC VALVE
- X - SPECIAL
- A - FPT W/BV
- C - MPT W/BV

○ NOT AVAILABLE ON 265V OPTION
 Δ MUST USE EITHER "H" or "G" CABINET OPTION
 **AVAILABLE FOR USE ON SIZES 08, 10, 12 WITHOUT ELECTRIC HEAT AND WITHOUT SECURITY GUARD CONTROLS.
 * LETTERS IN HEATER CODE ARE FOR 901 ONLY, ELECTRIC HEATER RATINGS ARE AT 208V AND 265V

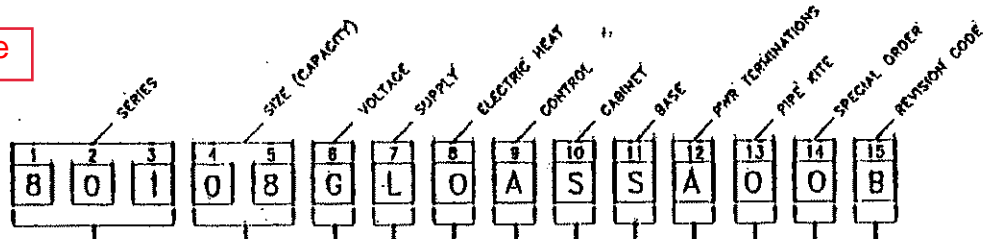
REV	DESCRIPTION	DATE
16	REVISED * NOTE TO INCLUDE: WITHOUT SECURITY GUARD CONTROL.	10/2/80
14	REVISED CAB/BS CHART, REV CODE CHART & DELETED L-U ON POWER TERM	4/27/80
13	ADDED J STD CAB W/BAR GRILL	
12	EXTENSIVE REVISION	2-6-15-81
11	ADDED "T" & "U" FOR TRANE APPLICATIONS (REVISION CODE)	1/8 5/21/81

688218

12/3/87

Console

801/901 - PRODUCT DECODING



801 - HEAT PUMP
 901 - COOLING ONLY

08
 10
 12
 15
 19

** A - 115VAC/1φ/60Hz (HIGH UL SIZE 12)
 B - 208VAC/1φ/60Hz (M/S ONLY)
 C - 230VAC/1φ/60Hz (M/S ONLY)
 E - 285VAC/1φ/60Hz
 G - 208/230VAC/1φ/60Hz
 V - 220/240VAC/1φ/50Hz

L - LEFT HAND
 R - RIGHT HAND

BOILERLESS (801)		HEAT ONLY (901)				
801 CODE	0	1	2	3	4	5
901 CODE	0	A	B	C	D	E
AC VOLTS	KILOWATTS					
208	NO ELEC HEAT	1.0	1.5	2.0	3.0	3.8
230		1.2	1.8	2.4	3.7	4.8
240		1.3	2.0	2.7	4.0	5.1
265		1.0	1.5	2.0	3.0	3.7
277		1.1	1.8	2.2	3.3	4.0

A - MCO
 B - ACO
 C - MCO & N.O. PROG RELAY
 D - ACO & N.O. PROG RELAY
 E - MCO & SECURITY GUARD
 F - ACO & SECURITY GUARD
 G - MASTER/SLAVE (MUST USE MS CABINET) 24V
 H - MCO & NIGHT SET BACK
 N - ACO & NIGHT SET BACK
 X - SPECIAL

0 - STANDARD
 A THROUGH W EXCEPT 0 - SPECIAL

0 - NONE
 A - FPT W/BALL VALVES
 B - BALL VALVES & UNIONS
 C - MPI W/ BALL VALVES
 F - FPT
 H - N.C. MOTORIZED WATER VALVE
 M - MPI
 U - UNION
 X - SPECIAL PIPE KIT

A - 2 x 4 J-BOX
 B - 20A PLUG & CORD
 C - 20A PLUG, CORD & RECEPTACLE
 D - 20A PLUG, CORD, RECEPTACLE & DISCONNECT SWITCH
 W - 20A PLUG, CORD, RECEPTACLE, DISCONNECT SWITCH & 15A FUSE
 Y - 20A PLUG, CORD, RECEPTACLE, DISCONNECT SWITCH & 20A FUSE
 0 - 30A PLUG & CORD
 H - 30A PLUG, CORD & RECEPTACLE
 J - 30A PLUG, CORD, RECEPTACLE & DISCONNECT SWITCH
 X - SPECIAL TERMINATION

0 - NO BASE (ONLY IF "CHASSIS ONLY" IS REQUESTED)
 S - STANDARD BASE
 G - MOTORIZED DAMPER BASE
 E - MANUAL DAMPER BASE
 X - SPECIAL BASE

A - FINISHED BACK PANEL, LOCKING CONTROL DOOR
 F - FINISHED BACK PANEL
 J - STANDARD CABINET W/GRILLE
 S - STANDARD CABINET
 L - LOCKING CONTROL DOOR
 M - MASTER/SLAVE CABINET
 0 - NO CABINET
 X - SPECIAL CABINET

SMALL CHASSIS OPTIONS.

B - 52" CABINET, FINISHED BACK PANEL, LOCKING CONTROL DOOR
 C - 52" CABINET, FINISHED BACK PANEL
 D - 52" STANDARD CABINET
 E - 52" CABINET, LOCKING CONTROL DOOR
 G - 52" CABINET, MASTER/SLAVE
 H - NO CABINET
 K - 52" CABINET, BAR GRILLE

	08, 10, 12, 15	19	19
STANDARD	B	-	A
TRANS	U	Y	I
SPECIAL 48"	-	C	-
OBSELETE	A, I	-	-

* NOT AVAILABLE ON 285V OPTION
 ** AVAILABLE ON SIZES 08, 10 AND 12 ONLY
 † NON UL
 ‡ SECURITY GUARD: N.O.-PR, NSB & ORT

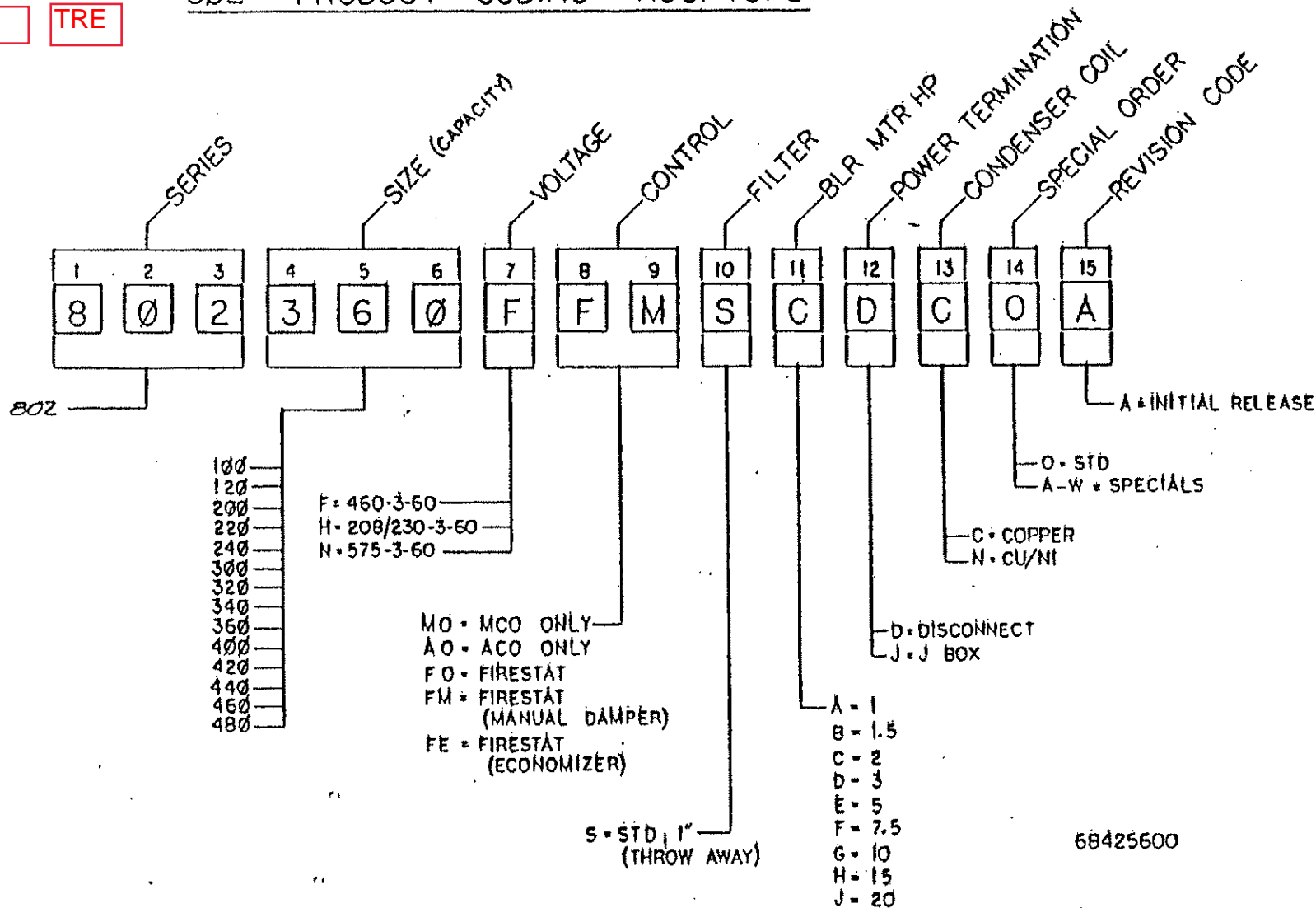
										ClimateMaster	
										PRODUCT DECODING	
										801/901 UNITS	
										DATE 2/19/91	
										88821800	
										DATE 7/21/91	
										88821800	

ALL DRAWING I.D.'S WERE CHANGE TO AGREE WITH EACH OTHER. U7835 3/19/91

802 PRODUCT CODING - ROOFTOPS

Roof Top

TRE



68425600

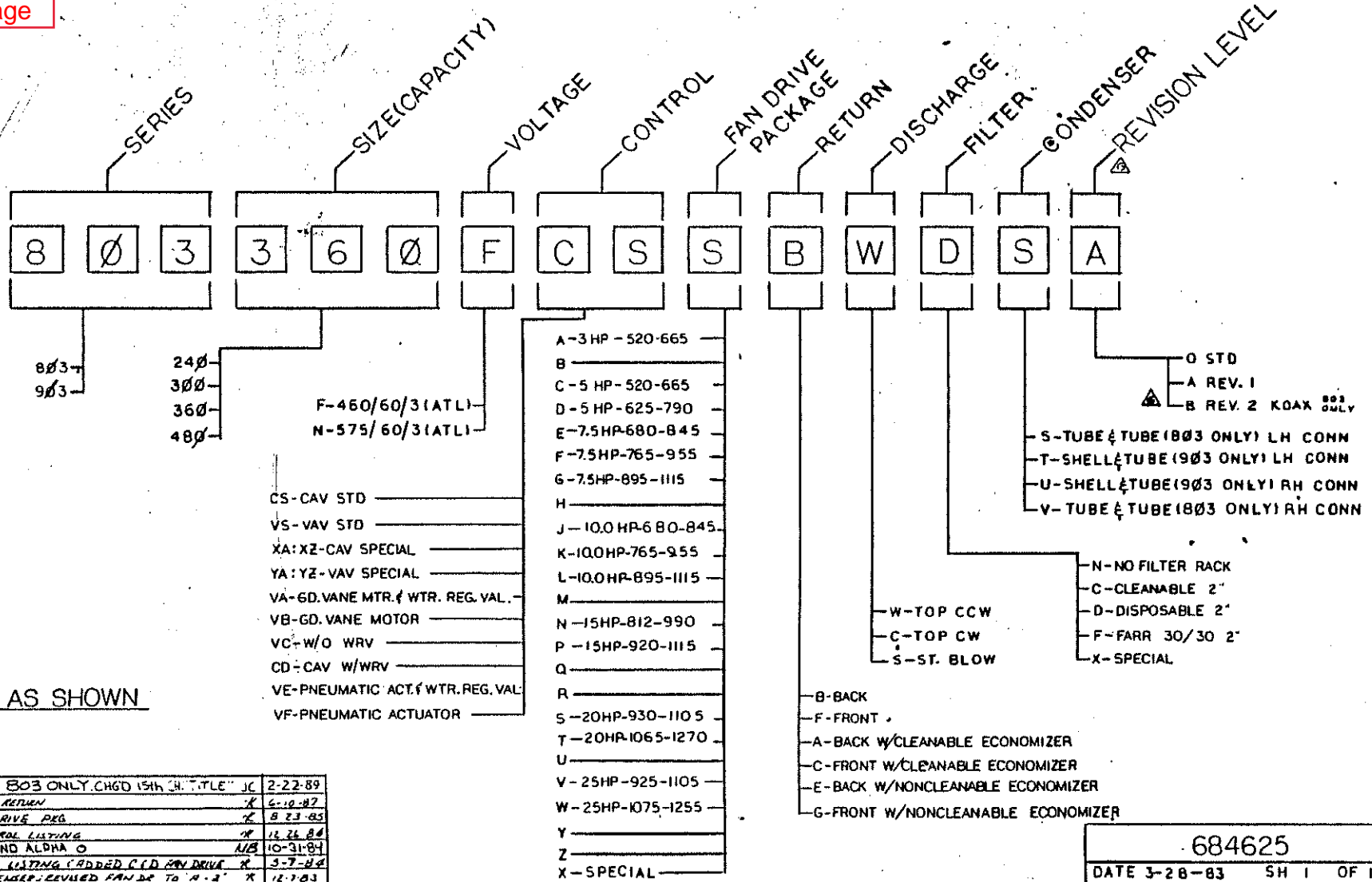
01	IDENTIFY NUMERIC & AND ALPHA	DISTR	10-31-87	N/S
REV	DESCRIPTION	ECO	DATE	APPR

684256

DATE: 1/5/83 N/S SH 1 OF 1

803/903 VARI-MASTER SERIES PRODUCT CODING

Vertical Package



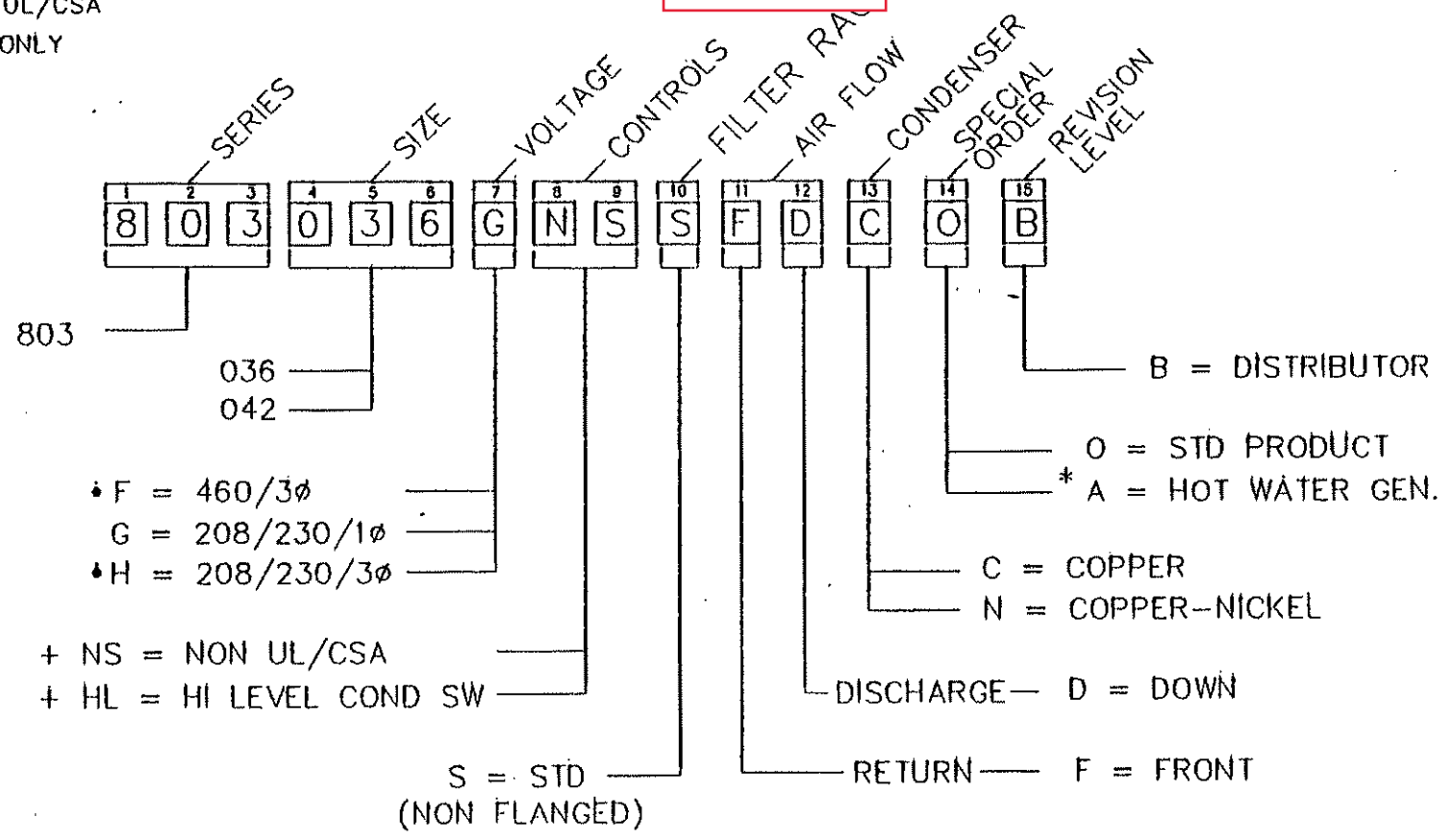
684625

DATE 3-28-83 SH 1 OF 1

NOTES:

- 1. * = NOT AVAILABLE AT PRESENT. HWG's UNDER DEVELOPMENT FOR -036 & -042.
- 2. + = NON UL/CSA
- 3. • = 042 ONLY

Vertical Package



B	ADDED "H" VOLTAGE	RL	U-7719	1/7/91
A	ADDED "F" VOLTAGE	JD	--	7/12/90

7300 SW 44th
OKLA. CITY, OK 73179

ClimateMaster

TITLE: PRODUCT DECODING SHEET
803 DOWNFLOW

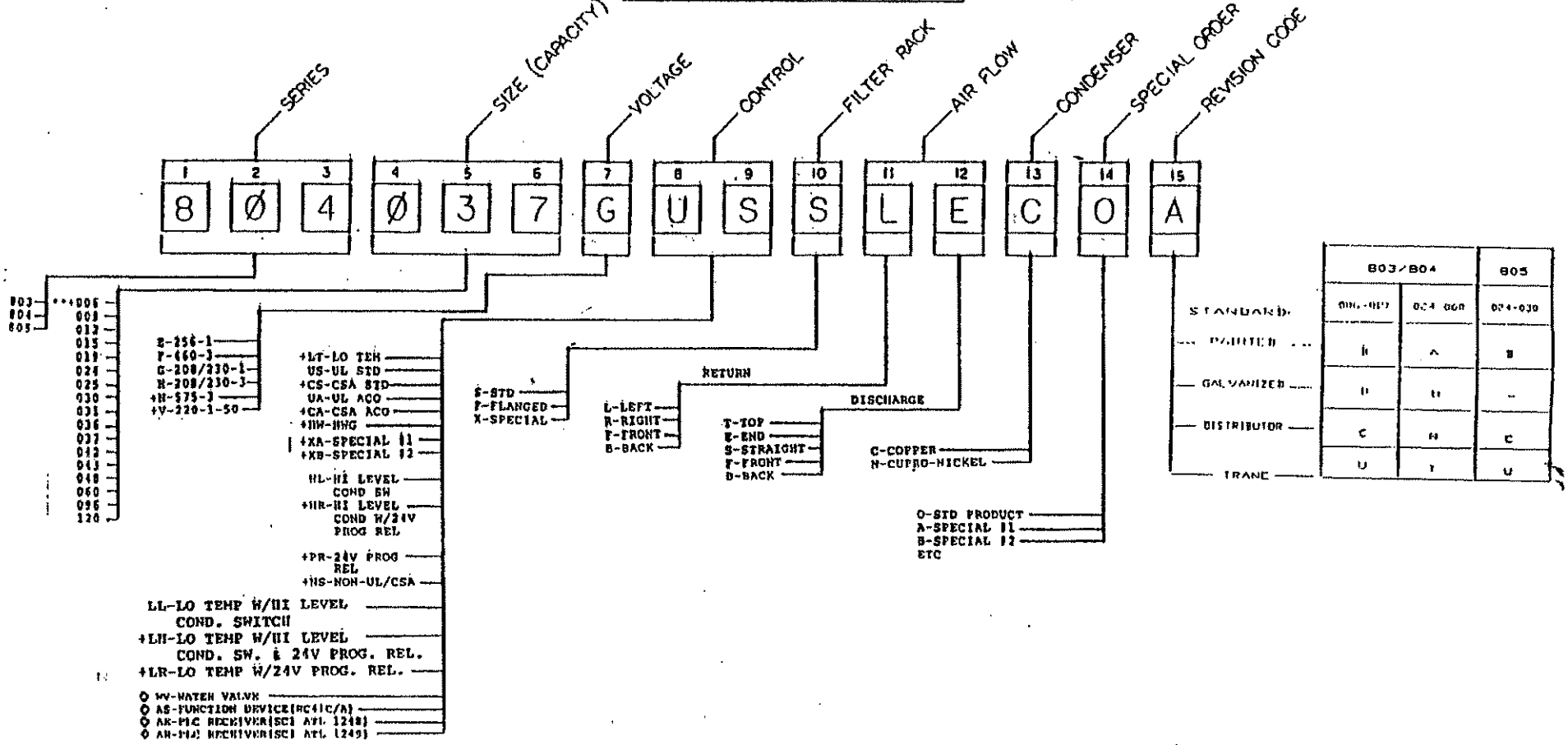
DRAWN: JD	DATE: 7/12/90	DRAWING NO: 69109600
ENG:	DATE:	C.A.D. NO: 69109600
ISSUED: ---	DATE:	SCALE: RR 1/1

804 HORIZONTAL COMPACT TCH

Horizontal Package

TR, TC, TS

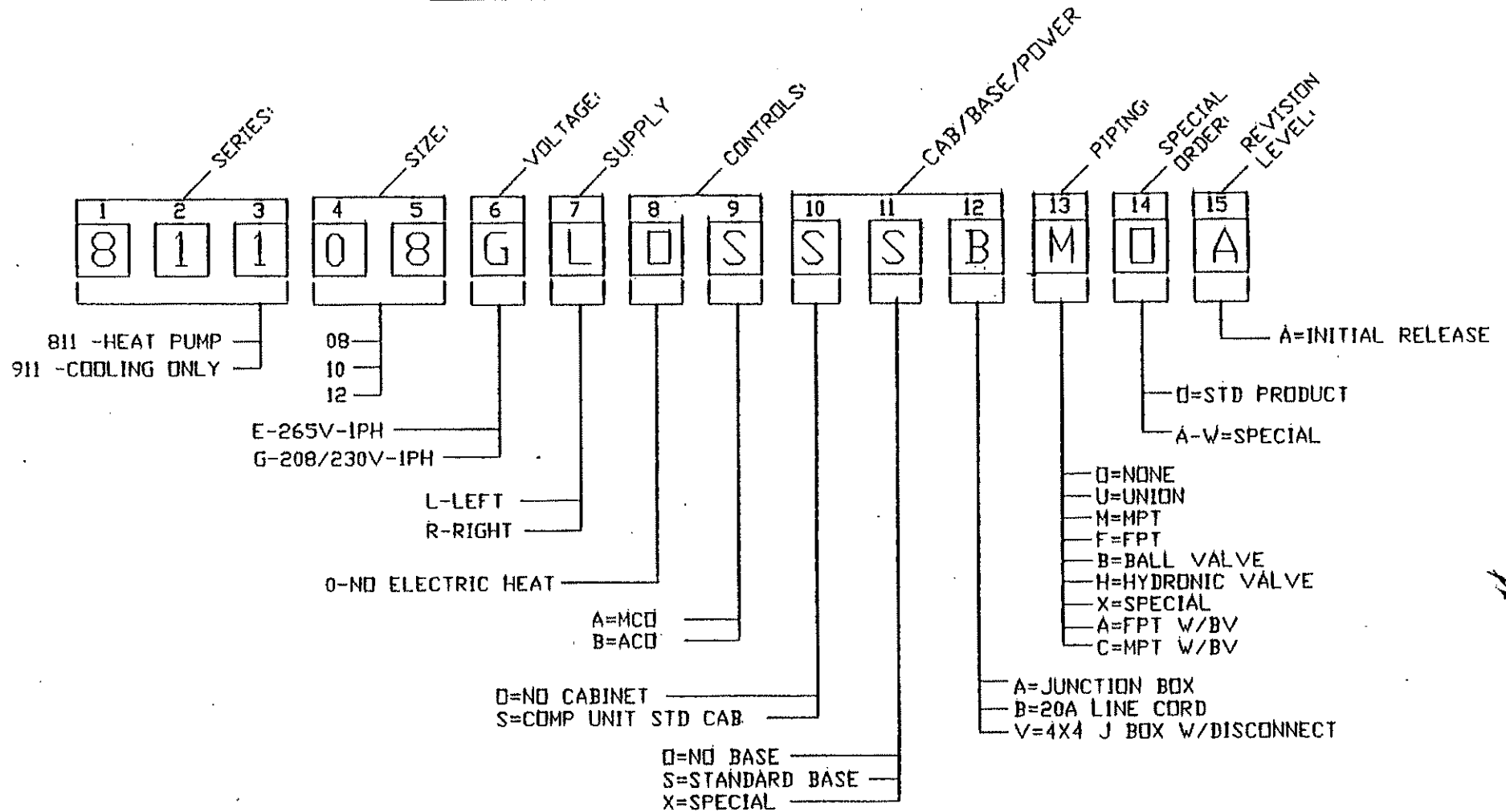
803,804,805 PRODUCT CODING



- NOTES:**
- * = HOT WATER GENERATOR
 - ** = 804 SERIES ONLY
 - + = NON UL/CSA
 - Ø = UL ONLY

803/804/805 DECODING
b w a . N o . 8 8 8 2 1 7 0 0

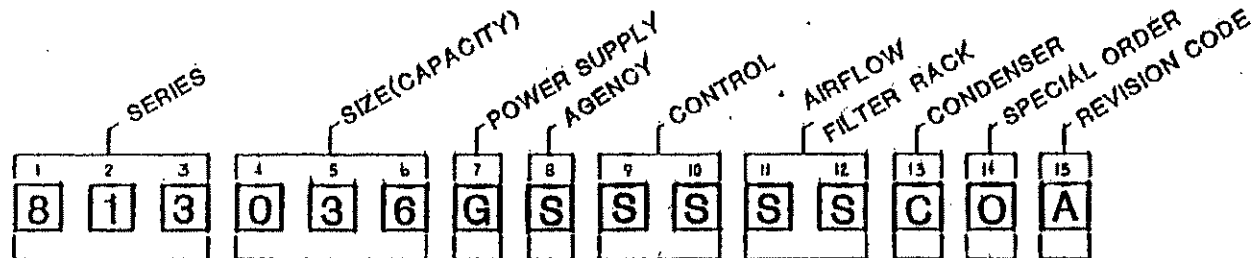
811 PRODUCT CODING



NOTE:

1. ALL UNITS NON UL/NON CSA

Vertical
Package



813 HEAT PUMP
913 STR COOL.

-036
-042
-048
-060

E= 265V-1PH
P= 460V-3PH
G= 208/230V-1PH
R= 208/230V-3PH
U= 380V-3-50

U= UL
C= CSA
H= NON UL/CSA
S= UL & CSA

STANDARD	D
TRANE	U
OBSOLETE	A, T

O=STANDARD
A=SPECIAL 11
B=SPECIAL 12
ETC

C=COPPER
N=CUPRO-NICKEL
L=LO TEMP - CuNi
E=EXTRA LO TEMP - CuNi
H=LO TEMP - Cu
X=SPECIAL
P=COPPER (WATER VALVE WIRING)
Q=CUPRO-NICKEL (WATER VALVE WIRING)
R=LO-TEMP-CuNi (WATER VALVE WIRING)
S=EXTRA LO TEMP-CuNi (WATER VALVE WIRING)
T=LO-TEMP-Cu (WATER VALVE WIRING)
J=EXTRA LO TEMP(28-110)-CU(NO H.W.G.)
K=EXTRA LO TEMP(28-110)-CU-NI(NO H.W.G.)

AGENCY CODE
AS
NS
SS
AA
AD
AC
AD
AE
AF
AG
AH
AJ
AL
AN
AP
AQ
AR
AU
AV
XA

AS=FUNCTION DEVICE(IRC/IC/A)
NS=DISTRIBUTOR UNIT
SS=STANDARD ACO/MCO
AA=ACO
AD=SHUT DOWN RELAY 24V
AC=SHUT DOWN RELAY 115V
AD=HIGH LEVEL CONDENSATE SWITCH
AE=PLC RECEIVER (SCIENTIFIC ATL 1248)
AF=FREEZE/STAT
AG=ANTI-SHORT TIMER
AH=DEMAND LIMIT RELAY 24V
AJ=DEMAND LIMIT RELAY 115V
AL=LOCK-OUT RELAY DISCONNECT
AN=RANDOM START RELAY
AP=PROGRAM RELAY 24V
AQ=PROGRAM RELAY 115V
AR=PLC RECEIVER (SCIENTIFIC ATL 1249)
AU=BOILERLESS OPERATION
AV=SVC SIGNAL TO REMOTE T'STAT
XA=SPECIAL

RETURN/DISCHARGE/FILTER RACK

SS=LEFT/TOP/STD
RT=RIGHT/TOP/STD
FT=FRONT/TOP/STD
BT=BACK/TOP/STD
LF=LEFT/TOP/FLGD
RF=RIGHT/TOP/FLGD
FF=FRONT/TOP/FLGD
BF=BACK/TOP/FLGD
XA=SPECIAL

813/913 DECODING

68232500

REV 14 6/20/80

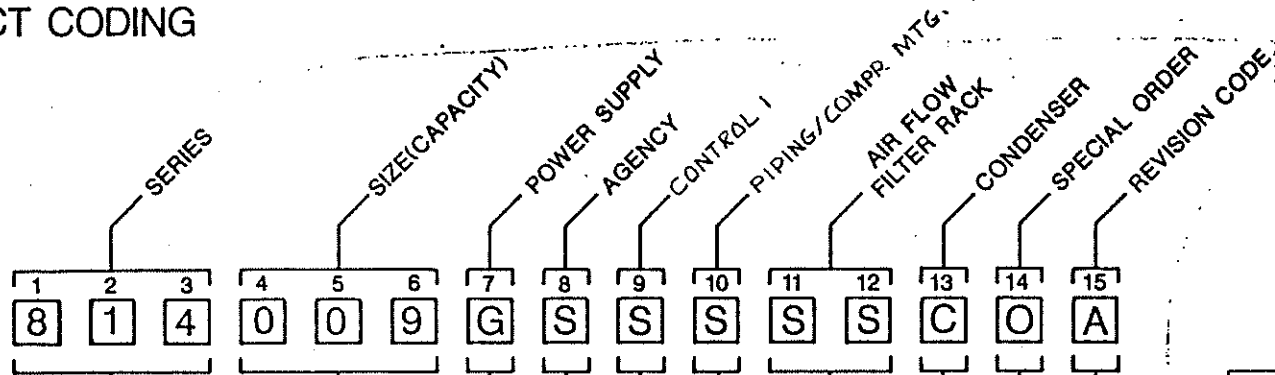
NOTE: REFER TO SHEET 2 FOR POSSIBLE COMBINATIONS -

* STANDARD OPTIONS ARE NOT AVAILABLE WITH LOW TEMP AND EXTRA LOW TEMP UNITS.

* FOR 208/230V & 265V UNITS ONLY.

814 PRODUCT CODING (SMALL UNITS)

Horizontal Package



814
914

- 009
- 011
- 013
- 019
- 023
- 027
- 031

- A- 115V-1PH-60HZ
- E- 265V-1PH-60HZ
- F- 460V-3PH-60HZ
- G- 208/230V-1PH-60HZ
- H- 208/230V-3PH-60HZ
- X- SPECIAL

- C- CSA
- N- NONUL/CSA
- S- CSA & UL
- U- UL

- A- WIRE FOR SERVICE LIGHT
- B- WIRE FOR EMS STAT
- H- HIGH LEVEL CONDENSATE SWITCH
- R- RANDOM START RELAY
- S- STANDARD
- X- SPECIAL
- F- PROGRAM RELAY
- Q- ANTI SHORT CYCLE TIMER
- L- LOCKOUT RESET AT DISCONNECT

- A- STANDARD (2 SCHRADER PORTS HI/LO)
- D- STANDARD W/COMPRESSOR ISOLATOR SPRINGS (-019 THRU -031 ONLY)
- X- SPECIAL

- A- SPECIAL #1
- B- SPECIAL #2
- D- STANDARD

- C- COPPER
- N- CUPRO-NICKEL

RETURN/DISCHARGE/FILTER RACK

- LB- LEFT/BACK/STD.
- LS- LEFT/STRAIGHT/STD.
- RB- RIGHT/BACK/STD.
- RS- RIGHT/STRAIGHT/STD.

	07/11/13	10/23/27/31
STANDARD	F	E
TRANE	V	U
OBSELETE	A,B,E,T,U	A,B,T



5	ADD 'F' & 'V' FOR REVISION CODE AS SHOWN	05/20/86	148-86	100	
4	ADD 'U' FOR REVISION CODE - DELETED 'D' & 'N' IN REV CODE	01/27/86	10-8-86	100	
3	ADD 'D' FOR NO RV (914 ONLY) TO REV. CODE	01/27/86	2/1/86		
2	ADDED 914, T for Trane (5/6/86 NB)				
1	ADDED H-DISTRIBUTION, CONTROL 1, DWRB, ILWAAR (10/29/85)				
REV.	DESCRIPTION	ECO. NO.	DATE	APPROVED	
	SIGNATURES	M	D	Y	
	DRAWN	NICK B	7	25	85
	CHECKED				
	ENGR.				
	MFG.				
	ISSUED				
	DISTRIBUTION	7	25	85	

ClimateMaster
A DIVISION OF CHP CORP AND
FRIEDRICH CLIMATE MASTER, INC

2007 BEECHGROVE PLACE
UTICA, N.Y. 13501
315-724-7111
TWX 310-600-7973

TITLE: **814 DECODING SHEET**

DRAWING NO. **682327**

SCALE: _____ SH. / OF 1

10	ADDED P,Q,L OPTIONS TO CONTROL	DISTRIB	12/18/85	FD
9	CHANGED REVISION CODE CHART		4/16/85	PA
8	CHG. CONTROL 2 TO PIPING/COMPR MTG. & ADDED "D"	UC703	10-11-85	
7	REVISED POWER SUPPLY CONTROL 2; REV. CODE OPTIONS	DISTRIB	6/11/87	NB
6	ADDED NOTE 09J1J3 TO REV. CODE AS SHOWN - E,F,U,V CODES	DKRA	11-87	RSO

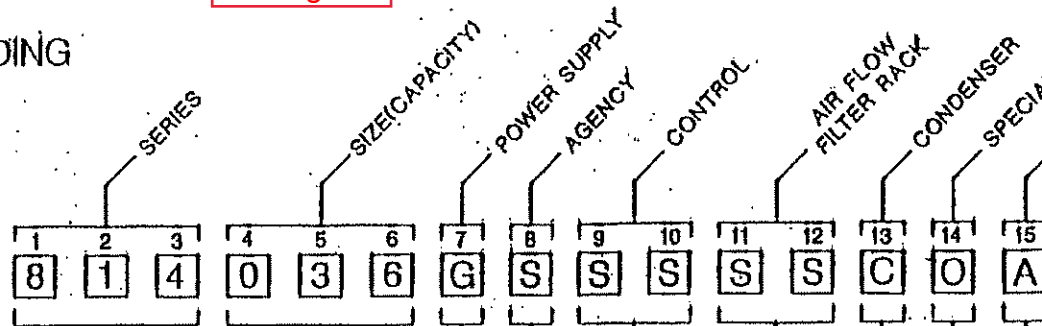
DWD 682327

UNLESS OTHERWISE SPECIFIED
DIMENSIONS ARE IN INCHES.
TOLERANCES ON:
3 PLACE DECIMALS ±
3 PLACE DECIMALS ±
ANGLES ±
FRACTIONS ±

MATERIAL:

Horizontal
Package

814 PRODUCT CODING (LARGE UNITS)



@ 814 HEAT PUMP
914 STR. COOL

- 036 E=265V-1-60
- 042 F=460V-3-60
- 048 G=208/230V-1-60
- 060 H=208/230V-3-60
- 072 U=380V-3-50
- 096
- 120 N=575V-3-60

- U=UL
- C=CSA
- N=NON UL/CSA
- S=UL & CSA

	GALVANIZED	PAINTED
STANDARD	D	F
TRANE	U	N/A
OBsolete	A, D, C, T	

- O=STANDARD
- A=SPECIAL #1
- B=SPECIAL #2
- ETC.

AGENCY CODE	FUNCTION
AS	AS=FUNCTION DEVICE (RC41C/A)
NS	NS=DISTRIBUTOR UNIT (036-060 UNITS ONLY)
SS	SS=STANDARD ACO/MCO
AA	AA=ACO
AB	AB=SHUT DOWN RELAY 24V
AC	AC=SHUT DOWN RELAY 115V
AD	AD=HIGH LEVEL CONDENSATE SWITCH
AE	AE=PLC RECEIVER (SCIENTIFIC ATL 1248)
AF	AF=FREEZE STAT
AG	AG=ANTI-SHORT TIMER
AH	AH=DEMAND LIMIT RELAY 24V
AJ	AJ=DEMAND LIMIT RELAY 115V
AL	AL=LOCK-OUT RELAY DISCONNECT
AN	AN=RANDOM START RELAY
AP	AP=PROGRAM RELAY 24V
AQ	AQ=PROGRAM RELAY 115V
AR	AR=PLC RECEIVER (SCIENTIFIC ATL 1219)
AU	AU=boilerless operation
AV	AV=SVC SIGNAL TO REMOTE T' STAT
XA	XA=SPECIAL
AN	AN=MCO (914-096/120 ONLY)

RETURN/DISCHARGE/FILTER RACK

- SS= LEFT/STR/STD
- RS= RIGHT/STR/STD
- LD= LEFT/DACK/STD
- RD= RIGHT/DACK/STD
- XA= SPECIAL

*NOTE- "SS" IS THE ONLY AVAILABLE RETURN/DISCHARGE/FILTER OPTION ON SIZES 048 - 120

- C=COPPER
- N=CUPRO-NICKEL
- X=SPECIAL
- L=LO TEMP-CuNi
- E=EXTRA LO TEMP-CuNi
- H=LO TEMP-Cu
- P=COPPER (WATER VALVE WIRING)
- Q=CUPRO-NICKEL (WATER VALVE WIRING)
- R=LO-TEMP-CuNi (WATER VALVE WIRING)
- S=EXTRA LO TEMP-CuNi (WATER VALVE WIRING)
- T=LO-TEMP-Cu (WATER VALVE WIRING)

814/914 DECODING

68232600 REV. 13 1/24/90

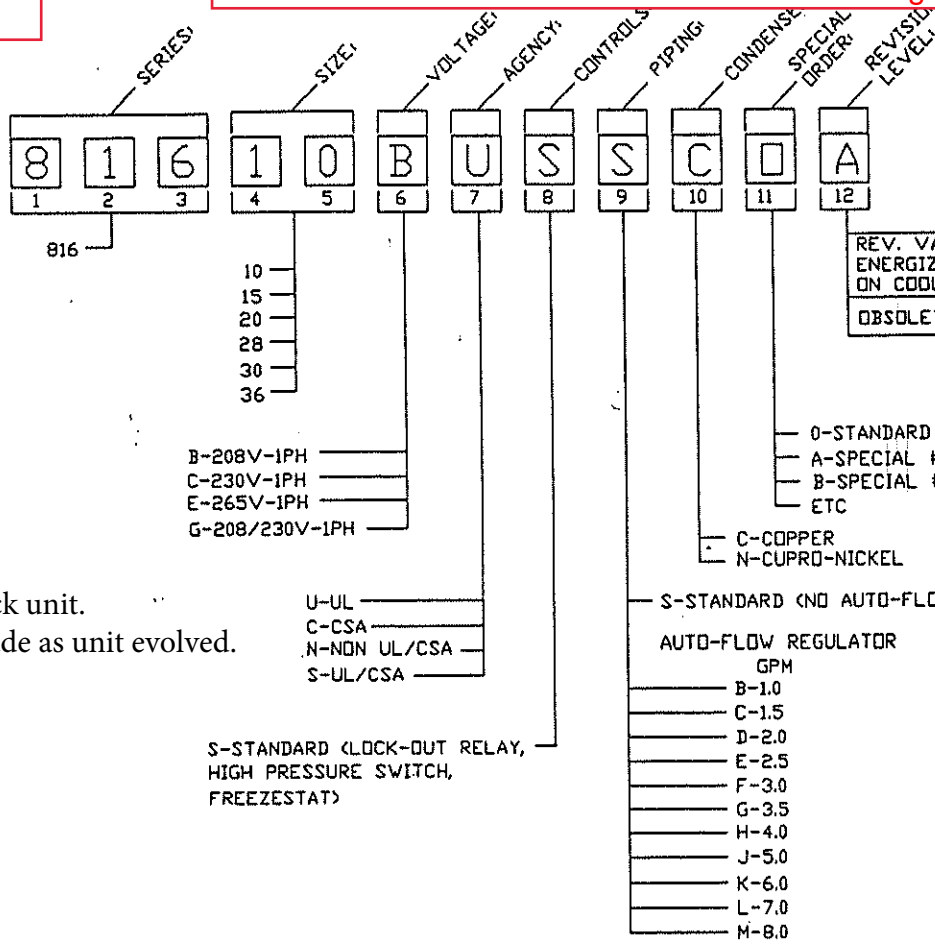
● EXCEPT FOR "AA, HA, CA AND DA" ALL OPTIONS ARE ACO/MCO;
 △ REFERENCE BILLS FOR EXACT OPTION;
 * FOR 096 & 120 SPECIALS ONLY;
 NOTE: REFER TO SHEET 2 FOR POSSIBLE STRUCTURE COMBINATIONS;
 * STANDARD OPTIONS ARE NOT AVAILABLE WITH LOW TEMP AND EXTRA LOW TEMP UNITS

++ N VOLTAGE AVAILABLE FOR -036, -060, -096, AND -120 ONLY. N VOLTAGE IS NON UL/CSA.
 @ 914 IS CSA ONLY

Vertical Stack Chassis

817 or TRM

See separate 816 file for details on the various versions of the 816. There have been numerous revisions with differing nomenclatures.



		VERTICAL COIL		
		10 & 15	20	28,30,36
REV. VALVE ENERGIZED ON COOL	STANDARD	F	D	E
	TRANE	V	T	U
OBSOLETE		A, B, & C		

THE 816 was a vertical stack unit. Multiple revisions were made as unit evolved.

G REV. & REDRAWN	JD	 	4/25/90	FB

UNLESS SPECIFIED OTHERWISE DIMENSIONS ARE IN INCHES. TOLERANCES ON:

DECIMALS = ±.031
ANGLES = ±1°

MATERIAL:

ClimateMaster 7300 SW 44th OKLA. CITY, OK 73

TITLE: STACK UNIT DECODING SHEET (CHASSIS)

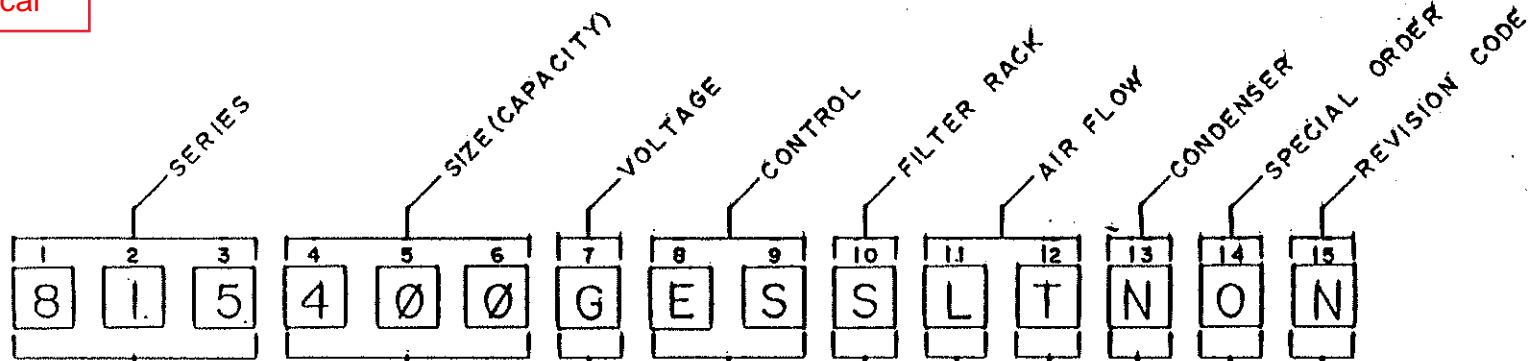
DRAWN: JD DATE: 4/23/90 DRAWING NO: 68237000

ENG: DATE: C.A.D. NO: 68237000

ISSUED: DATE: SCALE: 1 | A | SHT. 1 OF

815 PRODUCT CODING

Vertical



815 - † 300
400
* 500

G-208/230-1
ES-ETL STD
CS-CSA STD
NS-NON AGENCY

S-STD
F-FLANGED

L-LEFT
R-RIGHT

RETURN
T-TOP

DISCHARGE

C-COPPER
N-CUPRO-NICKEL

O-STD PRODUCT
A-SPECIAL # 1
B-SPECIAL # 2
ETC.

A-INITIAL RELEASE
N-DISTRIBUTOR TYPE (CU-NI)

68395100 AS SHOWN

† FUTURE

This document contains confidential information. It is to be used only for the purpose for which it was prepared. It is not to be copied, reproduced, or disseminated in any form or by any means without the written permission of the manufacturer. If you have any questions, please contact the manufacturer.

683951

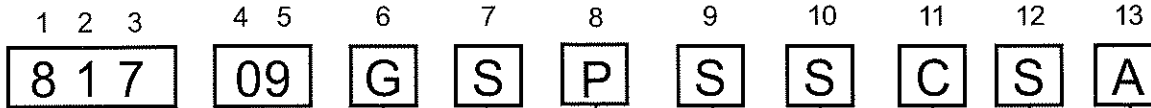
UNLESS OTHERWISE SPECIFIED DIMENSIONS ARE IN INCHES. TOLERANCES ON:
3 PLACE DECIMALS ±
2 PLACE DECIMALS ±
ANGLES ±
FRACTIONS ±
MATERIAL:

1 815 WAS BXT. TYP & PLS		2 DISTRIB		B-2-81 NB	
REV.	DESCRIPTION	ECO. NO.	DATE	APPROVED	
SIGNATURES					
DRAWN	D. KEBLISH	M	28	ClimateMaster	
CHECKED		D	605	2007 Beschgrove Place Ulster, N.Y. 12501 315-724-7111 TWX 510-600-7973	
ENGNG.		A COMBINATION OF O'F CORP AND FRIEDRICH CLIMATE MASTER, INC.			
WFO.		TITLE			
ISSUED		CHART, PRODUCT CODING			
		815			
		DRAWING NO. 683951			
SCALE		2		SH. OF	

Vertical Stack

DRAWING NO: **Decoder 817**

Z8A



Series
TRM = TRANQUILITY
HIGH RISE
REPLACEMENT CHASSIS

Unit Size
09 Ⓞ
12 Ⓞ
24 Ⓞ
30 Ⓞ
36 Ⓞ

Voltage
E = 265/60/1
G = 208-230/60/1

OPTION	S.S. Drain Plan	MUTE
A	X	-
S	-	-
1	-	X
2	X	X

Controls

- P = Standard (24V N.C. Safeties) for use with CXM or DXM
- M = Combination Controls (24V N.C. Safeties) For use w/ either Electro-Mechanical or CMC Controls. (Compare with Cabinet Decoder for Compatibility)
- S = Standard (Line Voltage, Pilot Duty Lock-Out Relay, Original chassis had N.O. Switches. Replacement has N.C. High Pressure Switch, Low Pressure Switch or High Discharge Temp Switch, FreezeStat and Quick Connect cord. (Compare with Cabinet Decoder for Compatibility)

NOTES:

- Sizes 09 & 12 digit "8" may be "M", "S" or "P".
- Sizes 24, 30 & 36 digit "8" MUST BE "M" or "S".
- Motorized Valve not available for Digit "8" option "S".

Revision Level
A = Current Revision Level

Standard
S = Standard
A = Special #1
B = Special #2
Etc.....

Heat Exchanger Options

- C = Copper Coax w/Coated Air Coil
- N = Cupro-Nickel Coax w/Coated Air Coil
- D = Copper Coax w/Coated Air Coil & Insulated Tubing
- E = Cupro-Nickel Coax w/Coated Air Coil & Insulated Tubing
- F = Copper Coax w/Non-Coated Air Coil & Insulated Tubing
- G = Cupro-Nickel Coax w/Non-Coated Air Coil & Insulated Tubing
- L = Copper Coax w/Non-Coated Air Coil
- M = Cupro-Nickel Coax w/Non-Coated Air Coil
- H = Copper, RV Energized in Heating w/Coated Air Coil (Replacement Only)
- J = Cupro-Nickel, RV Energized in Heating w/Coated Air Coil

Water Valve & Pump Option

- S = No Water valve
- M = Standard Water Valve (Normally Closed)Ⓞ

AUTO-FLOW REGULATOR (US GPM) CODE

	5/8 SWEAT		7/8 SWEAT			
	UNIT 09	UNIT 12	UNIT 15 & 18	UNIT 24	UNIT 30	UNIT 36
C	1.5					
D	2.0	2.0				
E	2.5	2.5	2.5	N/A		
F	3.0	3.0	3.0			
G	3.5	3.5	3.5			
H		4.0	4.0			
J		5.0	5.0	5.0	5.0	
K			6.0	6.0	6.0	6.0
L			7.0	7.0	7.0	7.0
M	N/A			8.0	8.0	8.0
N				9.0	9.0	9.0
P					10.0	10.0

S = STANDARD - NO FLOW REGULATOR

18 must use cabinet fit and TRM

7300SW44IN
OKLA. CITY, OK 73179

CLIMATEMASTER

DRAWING NO: **Decoder 817**

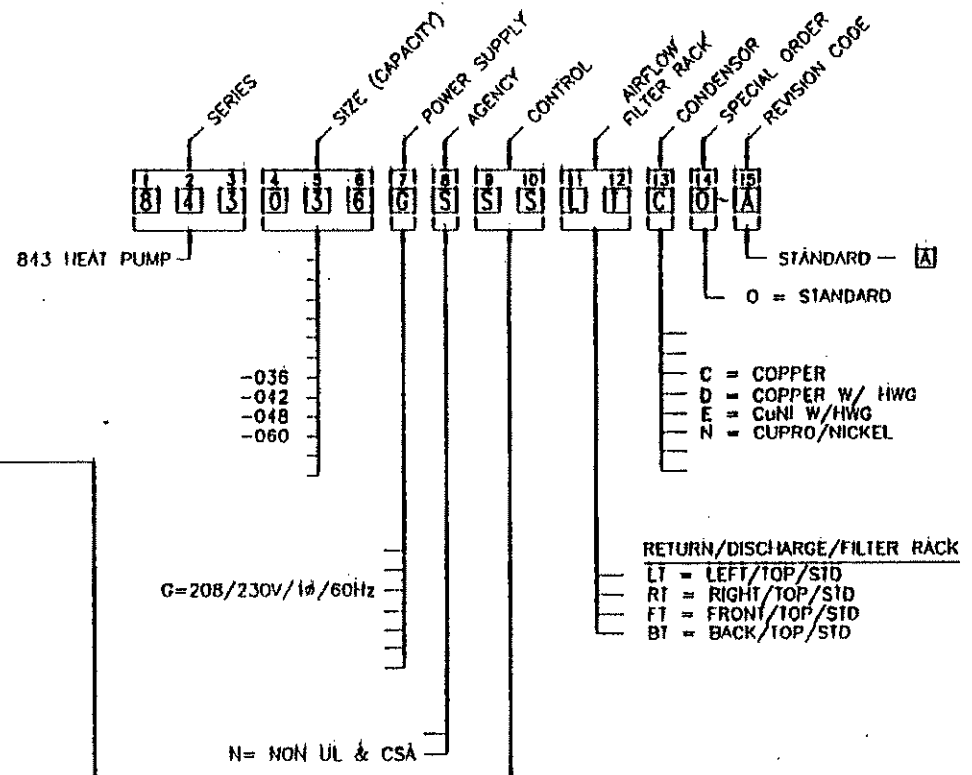
DRAWN: DR	DATE: 12/03/09	ENG: JIM T.	DATE: 12/03/09
ISSUED: 09-0490	DATE: 12/03/09	A SHEET 1-2	

E SEE SHEET 2 FOR REVISION HISTORY

REV DESCRIPTION

843 VERTICAL

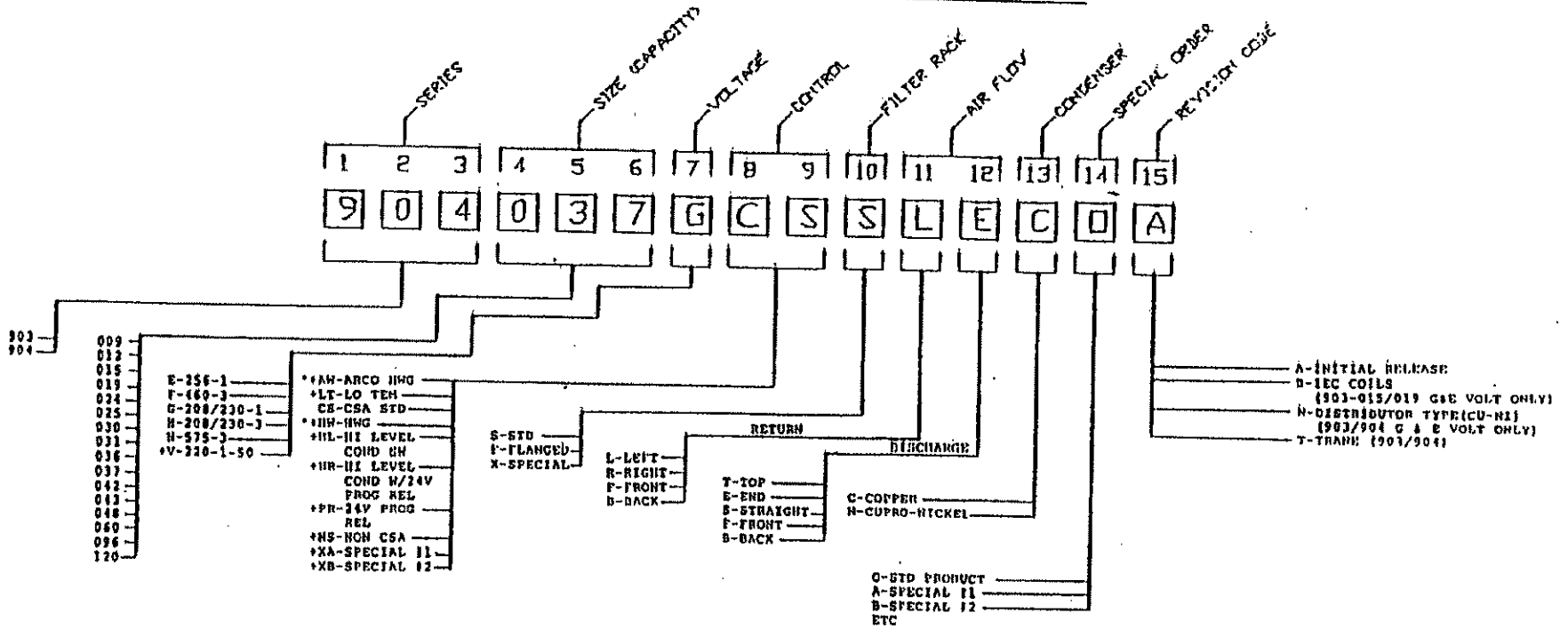
SS-STANDARD CONTROLS



<p>ClimateMaster</p> <p>2300 SW 4TH AVE OKLA CITY, OK 73179</p>	
<p>843 SERIES DECODING EXTENDED RANGE LOW TEMPERATURE 25T - 110T</p>	
<p>DRW: RL</p> <p>ENG: P.R.</p>	<p>DATE: 8/23/90</p> <p>DATE: 9-11-90</p>
<p>DRAWING NO. 69169100</p> <p>P.A.O. NO. 69169101</p>	

Cooling Only Packages

903,904 PRODUCT CODING



NOTES:
 * - HOT WATER GENERATOR
 # - NON CSA
 903,904 NOT UL APPROVED
 REFER TO SHEET 2 FOR POSSIBLE STRUCTURE COMBINATIONS

903/904 DECODING
 DWG. NO. 68821701