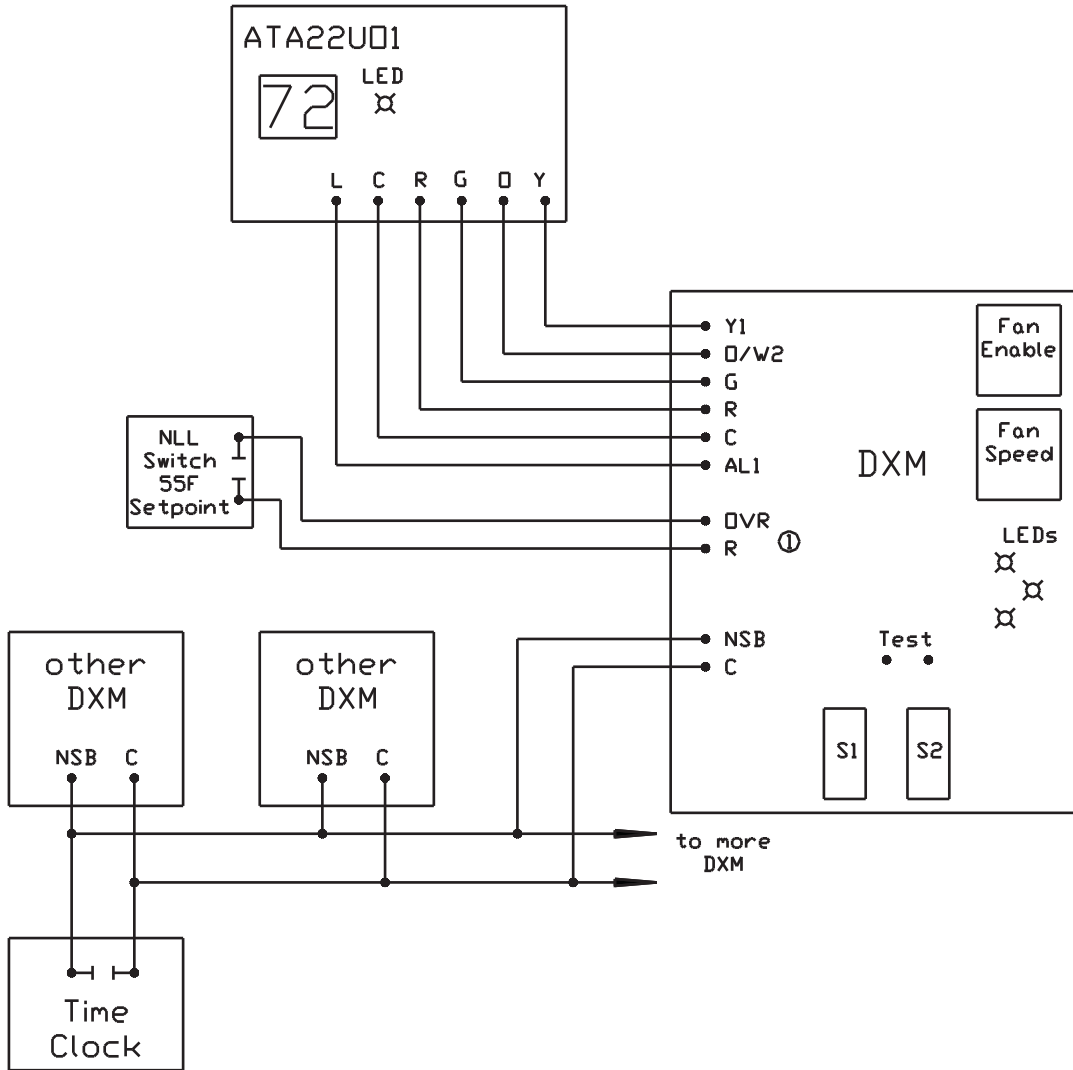


DXM-Night Low Limit Protection

DXM-Night Low Limit Protection



Notes

- 1) If NSB is connected to C, then a signal at OVR is recognized as a call for heating. Also, inputs Y1, O/W2 and, G are ignored during the time when NSB is connected to C. Dips Acc1 relay and Acc2 relay can not be configured as "Digital NSB."