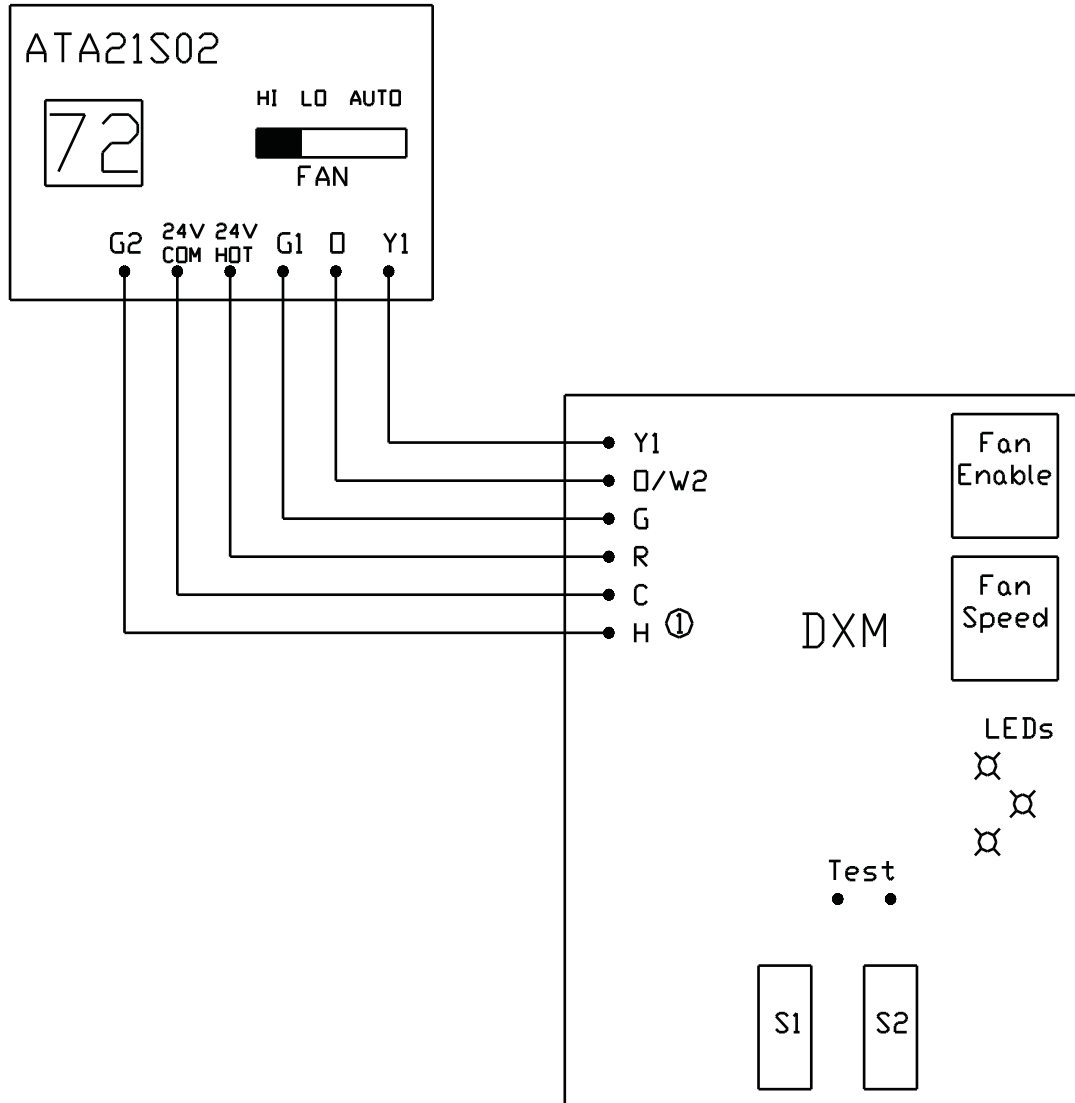


DXM-Manual Fan Staging

DXM-Manual Fan Staging



Notes

- 1) The fan “Hi-Lo-Auto” switch will dictate fan relay operation. “Hi” position turns on Fan Enable and Fan Speed relays. “Lo” position turns on Fan Enable relay. “Auto” position, fan cycles with compressor. Dips 2.7=off.