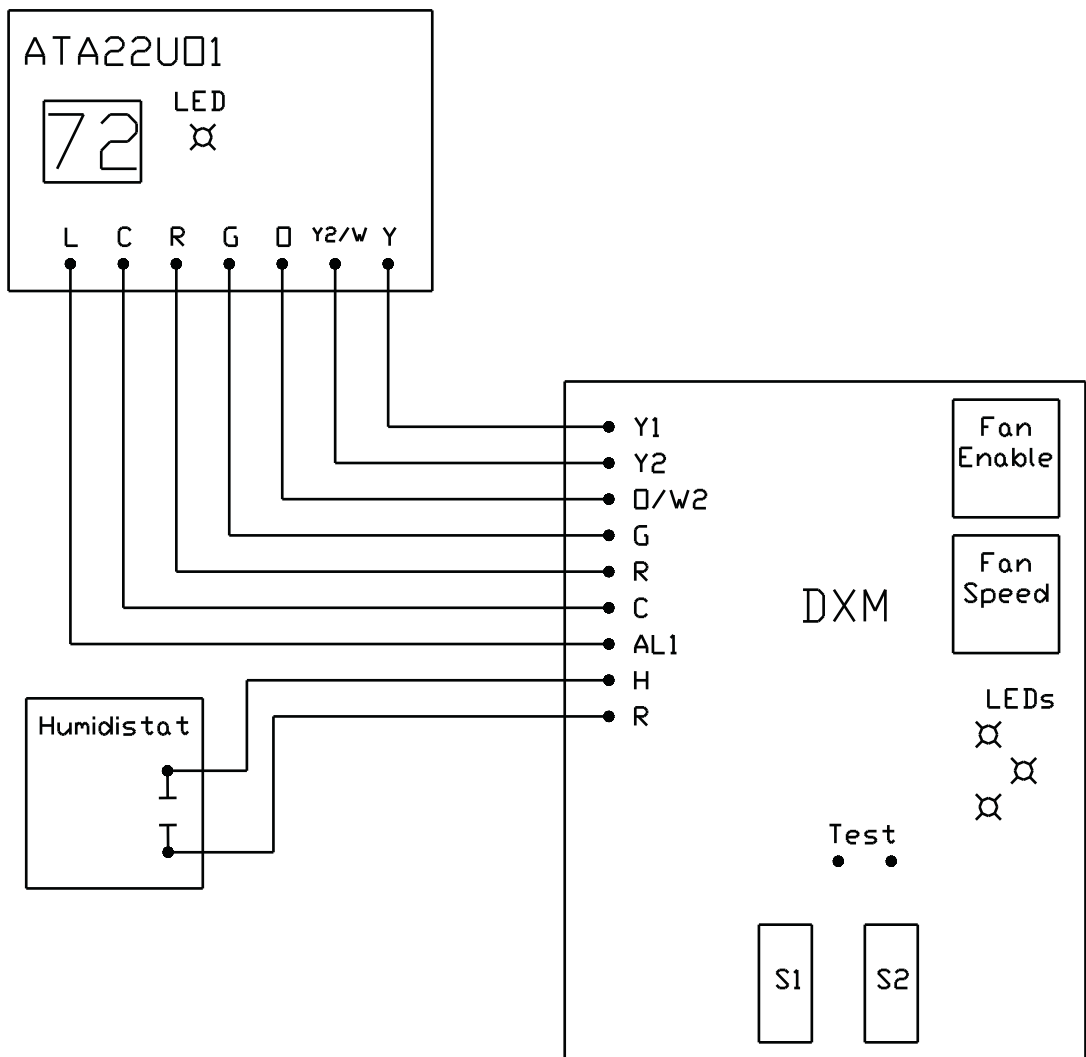


DXM-Dehumidification Auto Fan Staging

DXM-Dehumidification Auto Fan Staging



Notes

- 1) Humidistat closes above 80°RH; opens below 80°RH.
 With inputs: Y1, O/W2, G=compressor, Fan Enable relay
 Y1, Y2, O/W2, G=compressor, Fan Enable relay, Fan Speed relay
 Y1, O/W2, G, H=compressor, Fan Enable relay
 Y1, Y2, O/W2, G, H=compressor, Fan Enable relay.
- Dips 2.7=on.