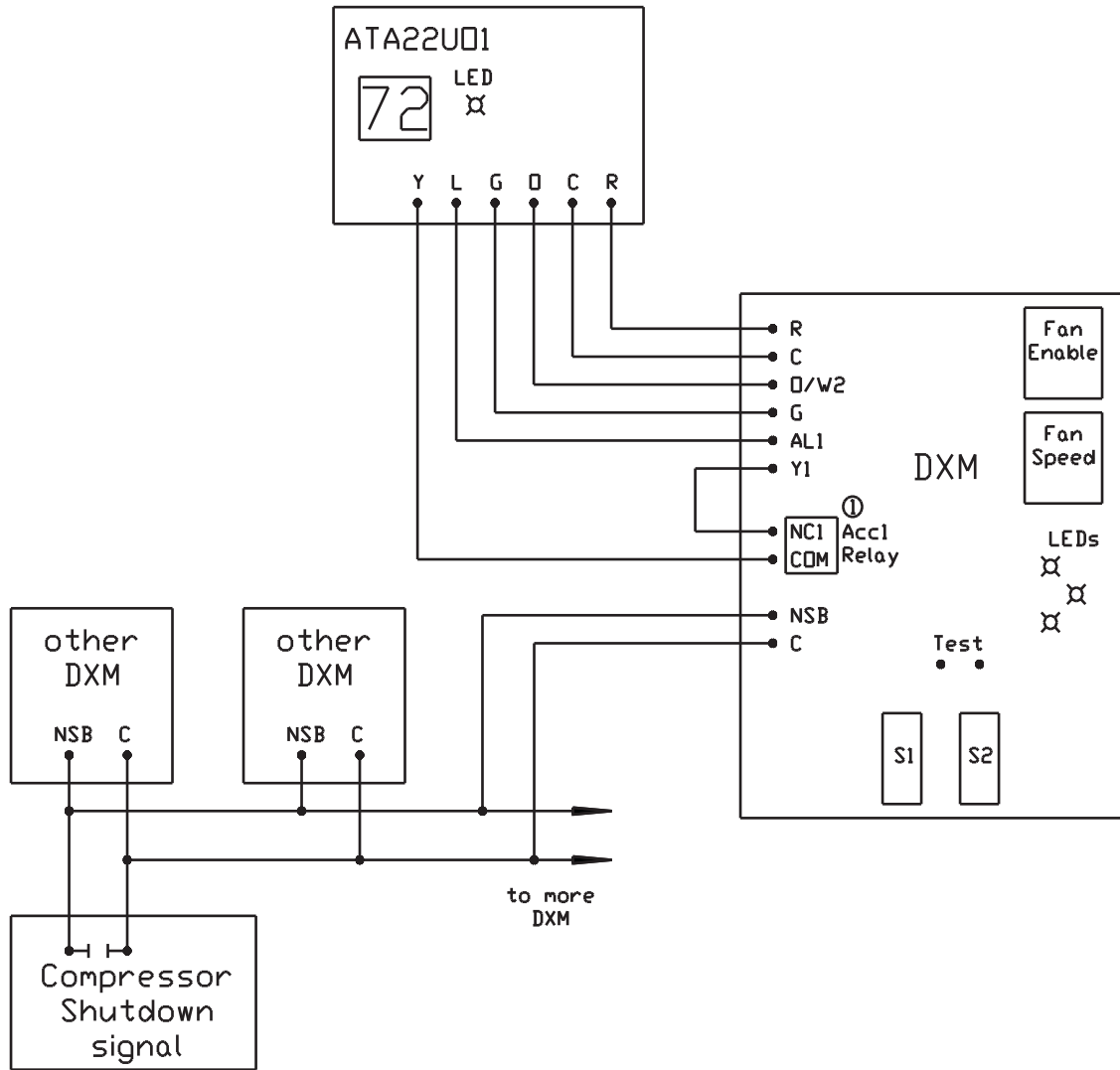


# DXM-Compressor Shutdown

## DXM-Compressor Shutdown



Notes

1) Acc1 Relay will open when NSB is connected to C. Dips 2.1=off, 2.2=on, 2.3=on.