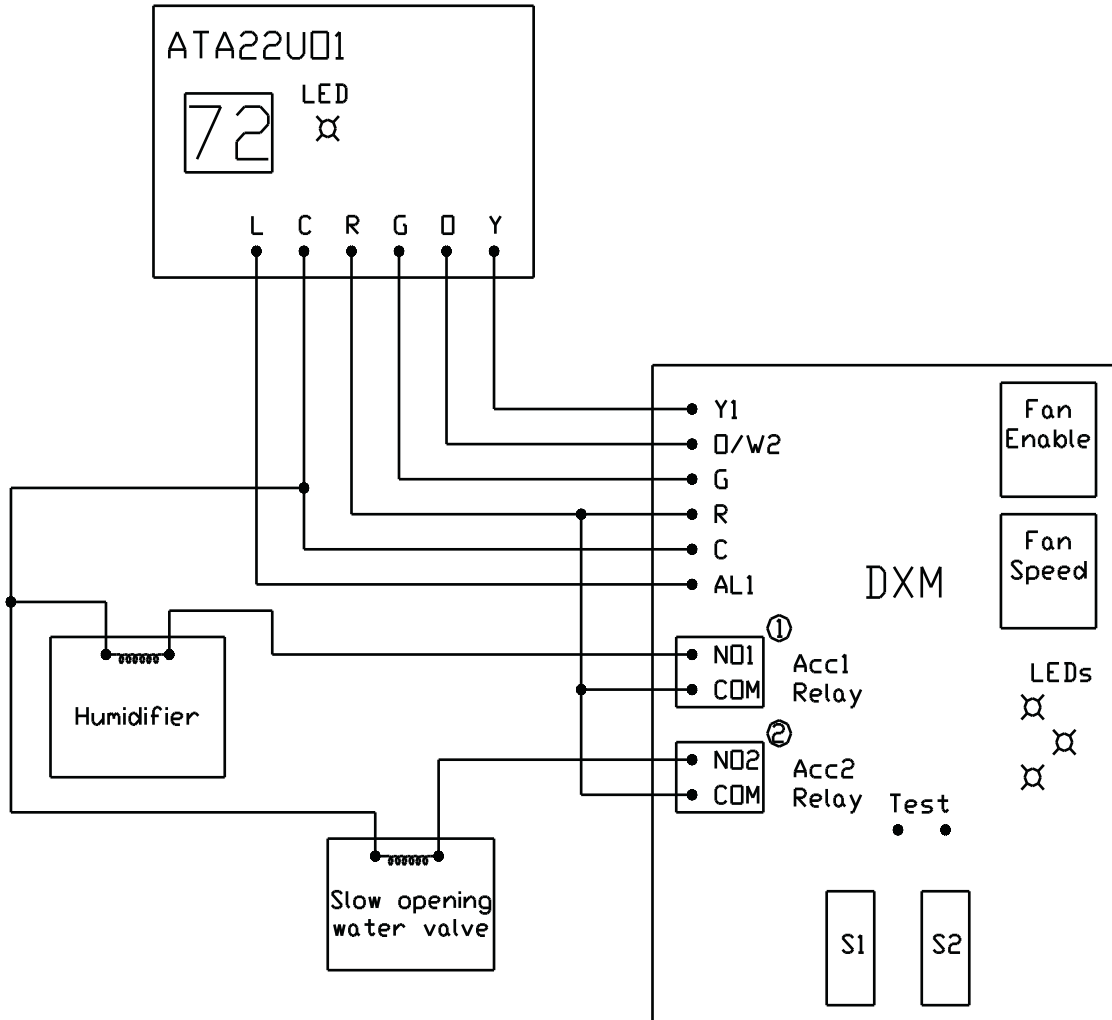


DXM-Accessory Relay Operation

DXM-Accessory Relay Operation



Notes

- 1) Acc1 Relay is used to cycle accessory equipment when fan is on. Dips 2.1=on, 2.2=on, 2.3=on.
- 2) Acc2 Relay is used to cycle water valve 60 seconds before compressor turns on. Dips 2.4=on, 2.5=off, 2.6=on.