



TRANQUILITY® (SW) WATER-TO-WATER SERIES

COMMERCIAL | Sizes: 036-120 | 60 Hz – R-454B



The Tranquility® (SW) Water-to-Water Series delivers versatile, high-performance solutions for a wide range of HVAC applications—including radiant floor heating, snow and ice melt systems, and chilled water generation for fan coils. Engineered for both hot and chilled water needs, the Tranquility SW offers a cost-effective, energy-efficient alternative without compromising comfort or control. Now featuring two-stage compressors for optimized part-load operation and vFlow® variable speed water pumping on both the source and load sides, the new Tranquility SW offers improved efficiency, quieter operation, and greater energy savings. With seamless integration to our advanced iGate® 2 Communicating (AWC) Thermostat, users gain mobile access for enhanced comfort management and remote diagnostics.

The SW Series Advantage

STANDARD FEATURES

- Size 036 (3 tons, 10.6 kW), 060 (5 tons, 17.6 kW), 120 (10 Tons, 35.2 kW)
- Refrigerant Detection System (RDS) (optional for all sizes)
- Front service access allows multiple units to be installed side by side for larger capacity applications
- DXM2.5 Advanced Communicating Controls
- Extended range insulation for geothermal applications

CONFIGURABLE OPTIONS

- BACnet, Modbus, and Johnson Controls N2 compatibility options for Building Management Systems (BMS)
- UltraQuiet sound-attenuation package
- vFlow unit-integrated modulating water valve for maximum water-flow control (replaces traditional motorized water valve and autoflow regulator)
- Domestic Hot Water Generator (HWG)
- Integrated power disconnect



Scan for
Product Catalog

TRANQUILITY (SW) WATER-TO-WATER SERIES

Rated in Accordance with ASHRAE/AHRI/ISO 13256-2 English (I-P) Units

Model Size	Load	Water Loop Heat Pump				Ground Water Heat Pump				Ground Loop Heat Pump			
		Cooling 86°F		Heating 68°F		Cooling 59°F		Heating 50°F		Full Cooling 77°F, Part Cooling 68°F		Full Heating 32°F, Part Heating 41°F	
		Capacity Btuh	EER Btuh/W	Capacity Btuh	COP	Capacity Btuh	EER Btuh/W	Capacity Btuh	COP	Capacity Btuh	EER Btuh/W	Capacity Btuh	COP
SW036	Full	30,700	14.5	43,000	4.8	33,300	21.0	34,900	4.0	31,800	16.6	27,500	3.2
	Part	21,800	14.3	30,000	4.7	24,100	22.8	24,200	3.7	23,500	19.7	21,500	3.3
SW060	Full	53,100	15.5	71,900	5.0	58,700	23.4	57,900	4.1	55,200	18.0	45,700	3.3
	Part	34,700	14.1	48,400	4.7	39,300	25.2	38,400	3.7	37,700	21.0	32,800	3.1
SW120	Full	104,800	14.9	148,500	5.0	116,800	23.5	119,200	4.0	109,000	17.4	91,200	3.1
	Part	52,500	15.4	73,900	5.0	58,500	24.2	59,000	4.1	56,700	20.9	51,500	3.5

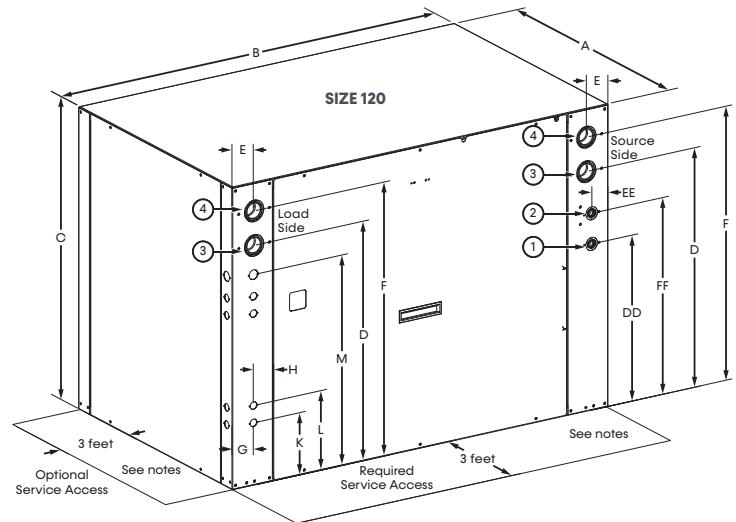
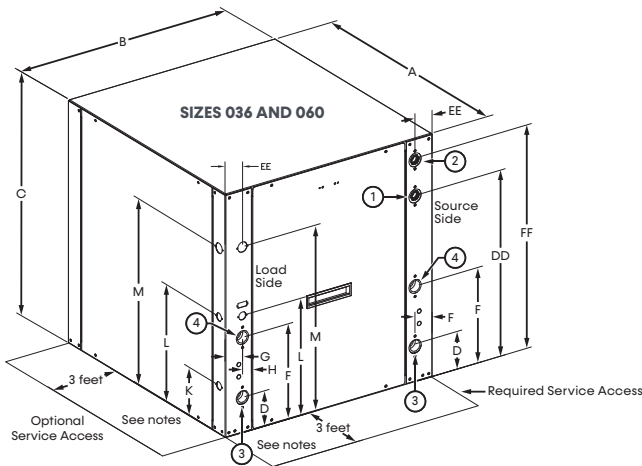
Notes:

- Where dual voltages are available ratings are based on the lower voltage setting.
- Ground Loop Heat Pump ratings based on 15% antifreeze solution.

Dimensional Data

Model Size	Overall Cabinet (inches)		
	Depth	Width	Height
	D	W	H
036-060	27.5	25.4	27.0
120	30.6	48.8	34.8

Note: For complete detailed dimensions, please refer to the product catalog.



NOTES

- Front and side access is preferred for service access. All components may be serviced from the front access panel if side access is not available.)
- While clear access to all removable panels is not required, installer should take care to comply with all building codes and allow adequate clearance for future field service.

LEGEND

- | | |
|------------|--------------|
| 1. DWH IN | 3. WATER IN |
| 2. DWH OUT | 4. WATER OUT |



Part#: LC3043 | Revised: October 17, 2025

7300 SW 44th St
Oklahoma City, OK 73179
Phone: 800.299.9747
www.climatemaster.com



ClimateMaster works continually to improve its products. As a result, the design and specifications of each product at the time of order may be changed without notice and may not be as described herein. Please contact ClimateMaster's Customer Service Department at 800-299-9747 for specific information on the current design and specifications. Statements and other information contained herein are not express warranties and do not form the basis of any bargain between the parties, but are merely ClimateMaster's opinion or commendation of its products. The latest version of this document is available at www.climatemaster.com. Engineered and assembled in the USA. © ClimateMaster, Inc. All Rights Reserved 2025