



Tranquility® (TMW) Water to Water Series

Models TMW036 - 840 60Hz - HFC - 410A

The Tranquility® (TMW) Water to Water Series offers high efficiency, high capacity, advanced features, quiet operation, and application flexibility. ClimateMaster's Tranquility® Water-to-Water Series can be used for radiant floor heating, snow/ice melt, chilled water for fan coils,

industrial process control, potable hot water generation, hot/chilled water for make-up air, and many other types of HVAC and industrial applications that require cost effective heated or chilled water.

Advantages of the Tranquility TMW

Standard Features:

- Exceeds ASHRAE 90.1 efficiencies
- Copeland scroll compressor(s)
- Dual independent refrigeration circuits on size 120, 340, 360, and 600
- Exclusive single side service access (front of unit) allows multiple units to be installed side-by-side for large capacity installations (360 through 840 require front and rear access)
- Top water connections on sizes 170, 340, 360, 600, and 840 staggered for ease of manifolding multiple units
- Heavy gauge galvanized steel construction with polyester powder coat paint and stainless steel front access panels (036-340)
- Small footprint
- Load leaving temperature range from 25 to 140°F, -4.4 to 60°C (see submittal for specific model range)
- Source entering temperature range from 20 to 130°F, -6.7 to 54.4°C (see submittal for specific model range)

- Microprocessor controls for 036-340. DDC controls for 360-840
- Communicating CXM2 controls for reduced start-up, commissioning, and service time (sizes 36-340)

Configurable Options:

- MPC controls for interfacing with BACnet, Modbus and N2 building management systems
- Industry leading UltraQuiet sound attenuation package
- Factory installed unit power disconnects
- Potable hot water generation (sizes 036-120 only)
- Corrosive resistant source and load side cupro-nickel heat exchangers (sizes 036-340 only)

Tested To ASHRAE/AHRI/ISO 13256-1 English (I-P) Units

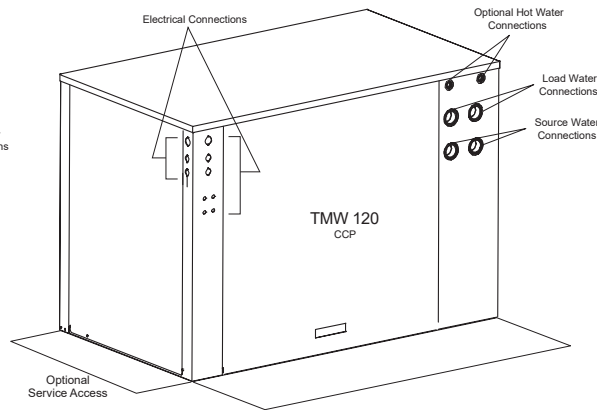
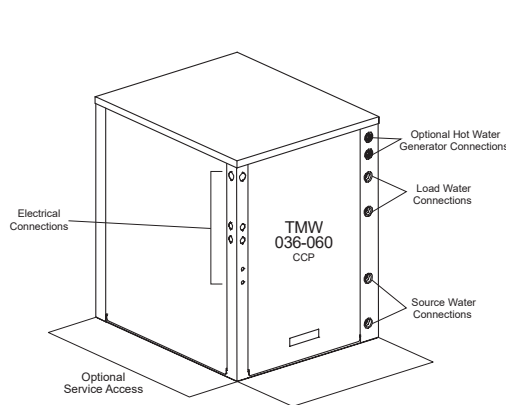
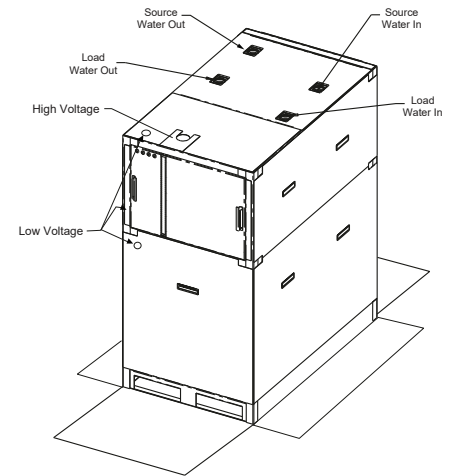
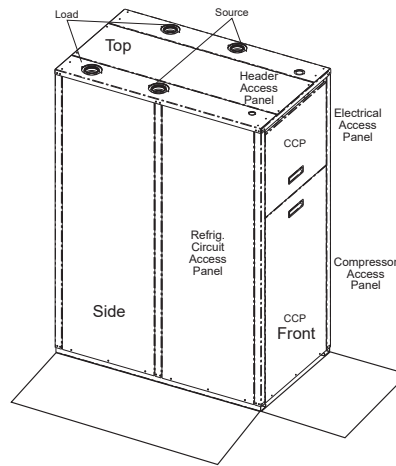
Model	Refrigerant	Water Loop Heat Pump				Ground Water Heat Pump				Ground Loop Heat Pump			
		Cooling		Heating		Cooling		Heating		Cooling		Heating	
		Indoor 53.6°F [12°C] Outdoor 86°F [30°C]		Indoor 104°F [40°C] Outdoor 68°F [20°C]		Indoor 53.6°F [12°C] Outdoor 59°F [15°C]		Indoor 104°F [40°C] Outdoor 50°F [10°C]		Indoor 53.6°F [12°C] Outdoor 77°F [25°C]		Indoor 104°F [40°C] Outdoor 32°F [0°C]	
		Capacity	EER	Capacity	COP	Capacity	EER	Capacity	COP	Capacity	EER	Capacity	COP
	Btuh [kW]	Btuh/W [W/W]	Btuh [kW]		Btuh [kW]	Btuh/W [W/W]	Btuh [kW]		Btuh [kW]	Btuh/W [W/W]	Btuh [kW]		
TMW-036	HFC-410A	32,300 [9.47]	14.60 [4.28]	43,100 [12.64]	4.90	36,200 [10.62]	23.10 [6.77]	35,300 [10.35]	4.00	33,300 [9.77]	16.40 [4.81]	27,400 [8.04]	3.10
TMW-060	HFC-410A	52,800 [15.48]	14.00 [4.10]	72,700 [21.32]	4.60	56,600 [16.60]	20.30 [5.95]	60,300 [17.68]	3.80	55,600 [16.31]	15.10 [4.43]	48,500 [14.22]	2.90
TMW-120	HFC-410A	105,600 [30.97]	13.80 [4.04]	145,400 [42.64]	4.50	113,200 [33.20]	20.10 [5.89]	120,600 [35.37]	3.70	111,200 [32.61]	15.00 [4.40]	97,000 [28.45]	2.90
TMW-170	HFC-410A	123,500 [36.22]	13.30 [3.90]	164,600 [48.27]	4.30	138,400 [40.59]	19.30 [5.66]	136,200 [39.94]	3.70	130,300 [38.21]	15.30 [4.49]	108,600 [31.85]	2.90
TMW-340	HFC-410A	253,500 [74.34]	13.60 [3.99]	336,000 [98.53]	4.40	282,000 [82.70]	19.60 [5.75]	277,000 [81.23]	3.70	266,600 [78.18]	15.60 [4.57]	220,000 [64.52]	3.00
TMW-360	HFC-410A	380,300 [111.46]	16.00 [4.70]	531,000 [155.63]	5.10	438,000 [128.37]	24.20 [7.10]	416,000 [121.92]	4.20	399,600 [117.12]	18.40 [5.39]	316,000 [92.61]	3.40
TMW-600	HFC-410A	619,800 [181.65]	16.00 [4.70]	873,000 [255.86]	5.20	707,400 [207.33]	23.20 [6.80]	680,000 [199.30]	4.30	649,600 [190.39]	18.20 [5.33]	517,000 [151.52]	3.40
TMW-840	HFC-410A	814,800 [238.80]	16.20 [4.75]	1,141,000 [334.41]	5.30	925,700 [271.31]	23.30 [6.83]	894,000 [262.02]	4.40	852,600 [249.88]	18.40 [5.39]	677,000 [198.42]	3.40

All ratings based upon operation at the lower voltage of dual voltage rated models.

* Indoor = Load side heat exchanger; Outdoor = Source side heat exchanger.

Unit Size

Model		W	D	H
036-060	in. (cm)	25.4 (64.5)	30.6 (77.8)	33.0 (83.8)
120	in. (cm)	52.9 (134.4)	30.6 (77.8)	37.0 (94.0)
170-340	in. (cm)	26.3 (66.9)	45.1 (114.6)	64.5 (163.8)
360-840	in. (cm)	34.0 (86.4)	55.5 (141.0)	65.1 (165.4)



Legend:

CCP = Control/Compressor Access Panel I
ASP = Additional Service Panel (optional access)



7300 S.W. 44th Street
Oklahoma City, OK 73179
Phone: 405-745-6000
climatemaster.com

