



Tranquility[®] Compact High Capacity (TC_L) Series

Models TCH072 - 120 TCV072 - 300 60Hz - HFC - 410A

The Tranquility Compact High Capacity product line offers large capacities products in a small foot print. When space is a concern, whether is be for new construction or retrofit, the TC_L product line maximizes comfort needs with space constraints.

Available standard with high quality construction, reliable refrigerant circuit, standard safety controls, and many field acceptability/convertibility features.

Advantages of the Compact High Capacity TC_L Series:

Standard Features:

- All sizes 072 (6 ton) through 300 (25 tons) exceed ASHRAE 90.1 efficiencies
- Galvanized steel construction with attractive matte black epoxy powder coat painted front access panel
- Communicating CXM2 controls for reduced start-up, commissioning, and service time
- Factory configured front or back return air
- Field convertible Top, Front, or Back supply air
- Electric power can enter from either side of the unit
- Water and drain can be connected to either side of unit
- Dual Copeland scroll compressors
- Dual refrigeration circuits
- Unique double isolation compressor mounting for quiet operation

Configurable Options:

- Extended range insulation for geothermal applications
- Water-Side Economizers
- Intelligent communicating DXM2.5 controls for maximized airflow control when paired with VFD fan motors
- Variable Frequency Drive fan motor controls for optimal fan motor energy efficiency
- Industry leading UltraQuiet sound attenuation package
- MPC controls for interfacing with building management systems
- Stainless Steel drain pans
- Coated air coils

Tested To ASHRAE/AHRI/ISO 13256-1 English (I-P) Units

Model	Water Loop Heat Pump				Ground Water Heat Pump				Ground Loop Heat Pump			
	Cooling 86 °F		Heating 68 °F		Cooling 59 °F		Heating 50 °F		Cooling 77 °F		Heating 32 °F	
	Capacity BTUH	EER BTUH/W	Capacity BTUH	COP	Capacity BTUH	EER BTUH/W	Capacity BTUH	COP	Capacity BTUH	EER BTUH/W	Capacity BTUH	COP
TCH/V072 - Part	35,000	14.7	46,000	5.4	40,000	22.5	37,000	4.6	37,500	18.5	31,500	4.1
TCH/V072 - Full	69,000	14.5	92,500	5.2	78,500	22.0	75,500	4.6	71,000	15.6	56,000	3.6
TCH/V096 - Part	47,500	14.5	59,500	5.1	52,300	20.7	48,500	4.3	52,000	18.2	42,000	3.8
TCH/V096 - Full	95,000	13.8	123,000	5.0	105,000	20.4	101,000	4.4	98,000	15.4	77,000	3.6
TCH/V120 - Part	60,000	13.8	78,500	4.7	67,500	19.7	64,500	4.0	63,000	16.6	53,800	3.5
TCH/V120 - Full	119,000	13.3	160,000	4.6	134,000	19.3	132,500	4.0	122,500	14.7	103,000	3.3
TCV160 - Part	78,500	14.4	98,500	4.9	86,500	19.7	84,000	4.4	83,200	17.3	70,300	3.9
TCV160 - Full	157,000	14.3	207,000	4.9	172,000	19.6	168,000	4.4	162,000	15.6	125,000	3.6
TCV192 - Part	95,800	14.5	118,500	5.1	106,500	19.7	96,500	4.5	102,700	17.3	83,000	3.9
TCV192 - Full	191,500	14.3	243,000	5.1	211,000	19.5	196,500	4.5	199,000	15.8	149,000	3.7
TCV240 - Part	117,000	14.1	157,000	5.1	132,900	19.6	128,000	4.4	127,500	17.3	111,000	3.8
TCV240 - Full	233,000	13.9	318,000	5.0	263,500	19.2	260,500	4.4	240,000	14.9	198,500	3.5
TCV300 - Part	153,000	14.2	192,300	4.9	171,000	19.2	156,500	4.3	164,000	16.9	137,400	3.8
TCV300 - Full	300,000	13.5	395,000	4.8	341,500	18.7	321,500	4.3	310,000	14.5	240,000	3.4

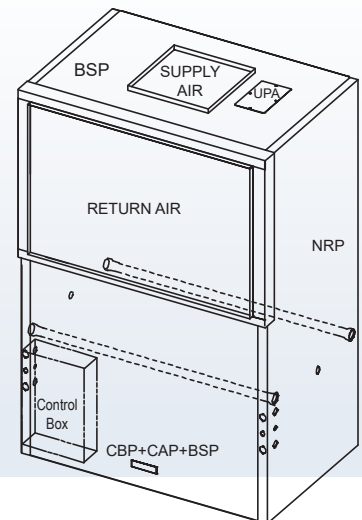
Cooling capacities based upon 80.6°F DB, 66.2°F WB entering air temperature.
 Heating capacities based upon 68°F DB, 59°F WB entering air temperature.
 All ratings based upon operation at lower voltage of dual voltage rated models.

Front Return Top Supply Air

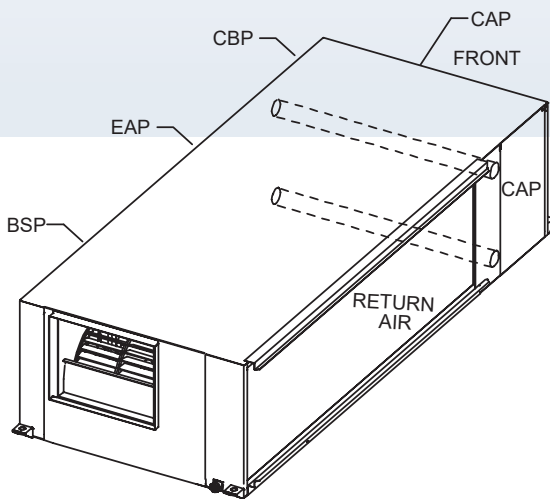
Unit Size

Vertical Model	W	D	H
072 - 120	in. 41.0	29.0	69.8
160 - 300	in. 82.0	29.0	69.8

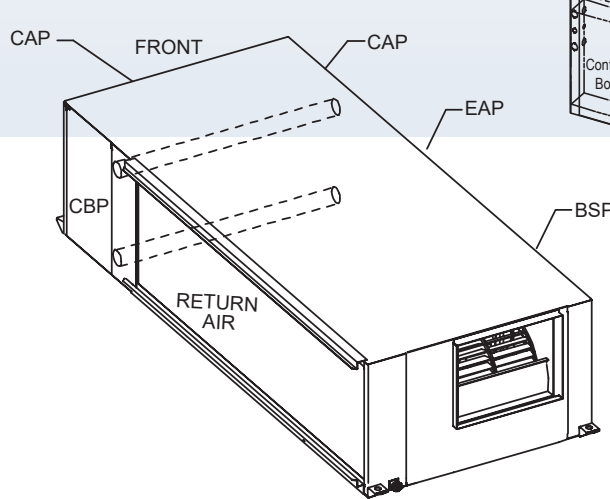
Horizontal Model	W	D	H
072 - 120	in. 36.3	84.9	21.6



Left Return Back Supply Air



Right Return Back Supply Air



Legend:
 CBP = Controls Box Panel
 BSP = Blower Service Panel
 CAP = Compressor Access Panel
 NRP = Non Removable Panel
 UPA = Upper Pulley Access
 EAP = Expansion Valve Access



7300 S.W. 44th Street
 Oklahoma City, OK 73179
 Phone: 405-745-6000
 climatemaster.com



LC1026
 Rev. : 1/24/23

ClimateMaster works continually to improve its products. As a result, the design and specifications of each product at the time of order may be changed without notice and may not be as described herein. Please contact ClimateMaster's Customer Service Department at 1-405-745-6000 for specific information on the current design and specifications. Statements and other information contained herein are not express warranties and do not form the basis of any bargain between the parties, but are merely ClimateMaster's opinion or commendation of its products. The latest version of this document is available at climatemaster.com.
 © ClimateMaster, Inc. All rights reserved 2019