



Tranquility® Console (TRC) Series

Models TCR09 - 18 60Hz - HFC - 410A

The Tranquility® Console (TRC) Series provides a high efficiency WSHP ductless solution for spaces where individual, quiet control of the heating and cooling system is important. Tranquility Console Series units are especially ideal where ceiling height and space are limited, or when preserving the integrity of an existing structure. The Tranquility Console Series exceeds ASHRAE 90.1 efficiencies, yet maintains small cabinet dimensions. Using EarthPure® (HFC-410A) refrigerant, the Tranquility Console Series not only protects the environment, it does so while delivering unprecedented comfort, efficiency, and reliability.

Advantages of the Console TRC Series:

Standard Features:

- All sizes 09 (3/4 ton, 2.64 kW) through 18 (1-1/2 ton, 5.3 kW) exceed ASHRAE 90.1 efficiencies
- Environmentally-friendly EarthPure® (HFC-410A) zero ozone depletion refrigerant
- High Efficiency Rotary compressors
- Two-piece chassis/cabinet design
- Galvanized steel cabinet with durable Polar Ice powder coat finish
- Slope top/aluminum rigid bar supply air grille
- TXV metering device
- Microprocessor controls with 8 standard safeties
- Right or left-hand piping arrangement
- Front or bottom return air configuration
- Unit Performance Sentinel™ performance monitoring system
- Communicating CXM2 controls for reduced start-up, commissioning, and service time including remote access and diagnosis

Configurable Options:

- Unit sub-base with black matte finish - Available with or without fresh air motorized damper
- Industry leading UltraQuiet sound attenuation package
- Digital auto change-over unit mounted controls with temperature display and high/low fan speed selection
- Remote-mounted controls
- DXM2.5 advance unit controller
- MPC controls for interfacing with building management systems
- Unit integrated power disconnect
- Easy to clean rust prohibitive stainless steel drain pans
- Extended range insulation for geothermal applications
- Auto flow regulators
- Two-way motorized water valves
- Internally mounted water pump for single pipe systems
- Corrosive resistant cupro-nickel water heat exchanger
- E-Coated air coils for added protection
- 115/60/1 voltage - With or without 20 AMP plug and cord
- Locking control door
- No cabinet, chassis only replacements
- Extended cabinets

Tested To ASHRAE/AHRI/ISO 13256-1 English (I-P) Units

Model	Water Loop Heat Pump				Ground Water Heat Pump				Ground Loop Heat Pump			
	Cooling 86°F		Heating 68°F		Cooling 59°F		Heating 50°F		Cooling 77°F		Heating 32°F	
	Capacity Btuh	EER Btuh/W	Capacity Btuh	COP	Capacity Btuh	EER Btuh/W	Capacity Btuh	COP	Capacity Btuh	EER Btuh/W	Capacity Btuh	COP
TRC09	8,600	13.3	11,400	4.6	9,200	18.6	9,500	4.0	8,800	14.9	7,300	3.3
TRC12	11,300	12.8	14,100	4.5	12,500	18.7	11,800	3.9	11,800	14.5	9,300	3.3
TRC15	13,700	12.8	17,500	5.1	15,700	19.4	14,600	4.0	14,500	14.7	11,400	3.3
TRC18	15,600	12.2	20,100	4.5	17,200	17.9	16,500	3.9	16,100	13.8	13,200	3.3

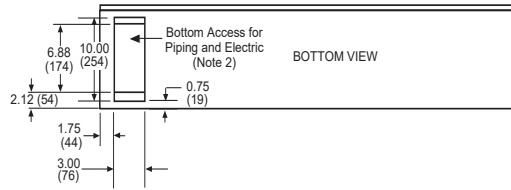
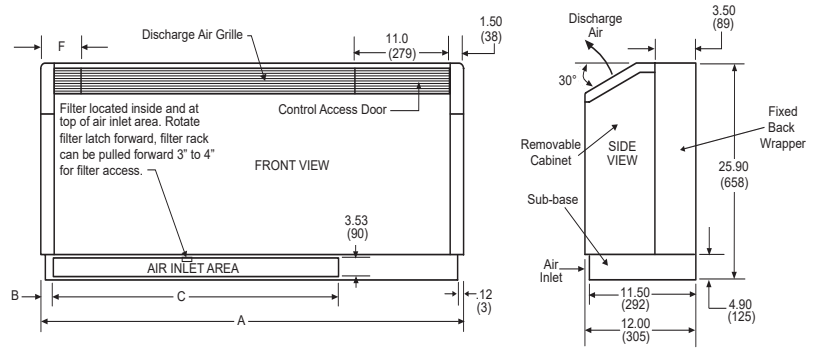
Cooling capacities based upon 80.6°F DB, 66.2°F WB entering air temperature
 Heating capacities based upon 68°F DB, 59°F WB entering air temperature
 All air flow is rated on high speed, Units factory shipped on medium and low motor taps.
 All ratings based upon operation at lower voltage of dual voltage rated models

Unit Size

Size	Model	W*	D*	H*
09-15	No Subbase	48	12	21
	5" Subbase	48	12	26
	Extended Cabinet/No Subbase	54	12	21
	Extended Cabinet/5" Subbase	54	12	26
18	No Subbase	54	12	21
	5" Subbase	54	12	26
	Extended Cabinet/No Subbase	60	12	21
	Extended Cabinet/5" Subbase	60	12	26

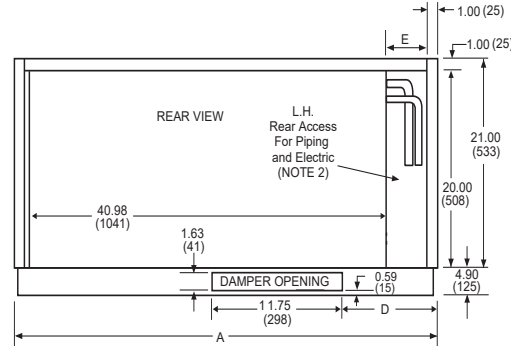
*All dimensions shown in inches

Left Hand Bottom Return



	A	B	C	D	E	F
Standard Unit	48.00 (1219)	1.75 (44.5)	33.50 (851)	9.90 (251)	4.50 (114)	5.00 (127)
Extended Unit	54.00 (1372)	11.50 (292)	34.50 (876)	22.90 (582)	10.50 (267)	11.00 (279)

Secondary circulation pump models will have extended unit.



NOTES:

- All Dimensions are in inches (mm).
- Access is reduced if optional disconnect box is selected.
- Optional autoflow regulator, motorized water valve, and disconnect box are not shown.
- Filter is 1" (25) thick fiberglass throwaway.
- All bottom return units require a subbase.



7300 S.W. 44th Street
 Oklahoma City, OK 73179
 Phone: 405-745-6000
 climatemaster.com



LC1034
 Rev. : 05/03/23