

**One Heat / One Cool
Manual Changeover
Non-Programmable**

Application:

The ATM11C11 thermostat provides single-stage, non-programmable temperature control for 24V water-source heat pump systems.

Features:

- Color: White
- Integral switches control system and fan mode.
- Vented cover for improved temperature sensing.
- Mount directly on wall or horizontal outlet box using mounting plate.
- Electronic sensing (no mercury bulb or bi-metal switching).

Specifications:

Electrical Rating:

- Voltage 20 to 30 VAC
- Heating: 0.18 to 1.0A at 30VAC maximum.
- Cooling: 1.5A running, 7.5A inrush at 25 VAC.

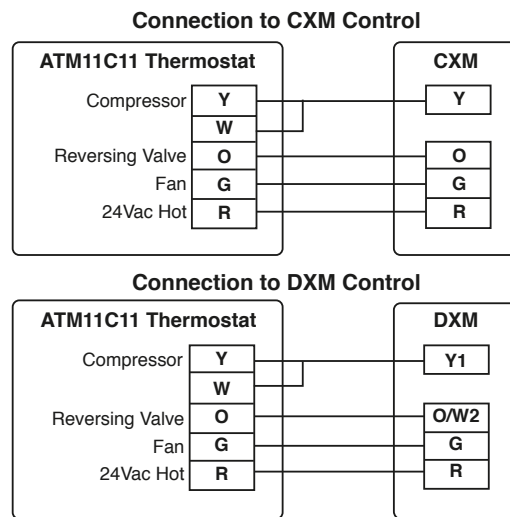
Temperature Settings:

- Scale Range: 50°F to 90°F (10°C to 32°C).

Switching Action:

- Accurate electronic sensing/switching.
- 4-wire control of heating/cooling/reversing valve.

Wiring:



ClimateMaster works continually to improve its products. As a result, the design and specifications of each product at the time of order may be changed without notice and may not be as described herein. Please contact ClimateMaster's Customer Service Department at 1-405-745-6000 for specific information on the current design and specifications. Statements and other information contained herein are not express warranties and do not form the basis of any bargain between the parties, but are merely ClimateMaster's opinion or commendation of its products. The latest version of this document is available at climatemaster.com.