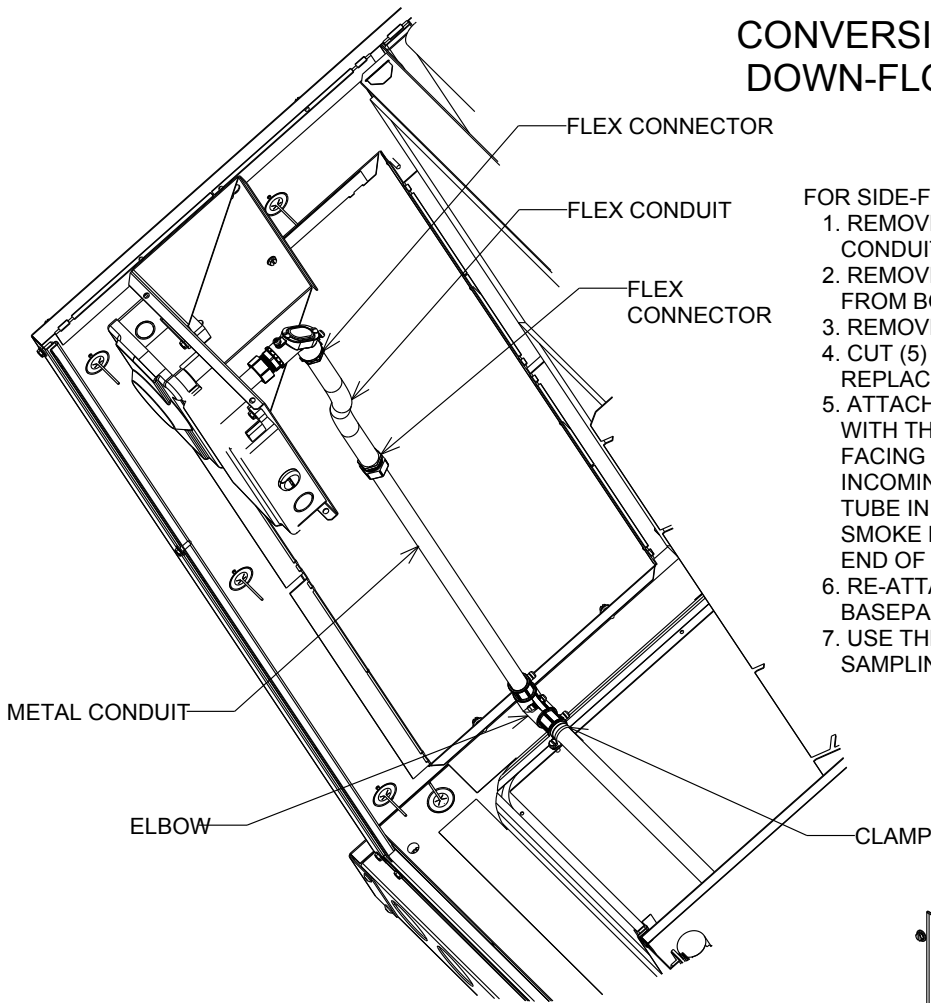
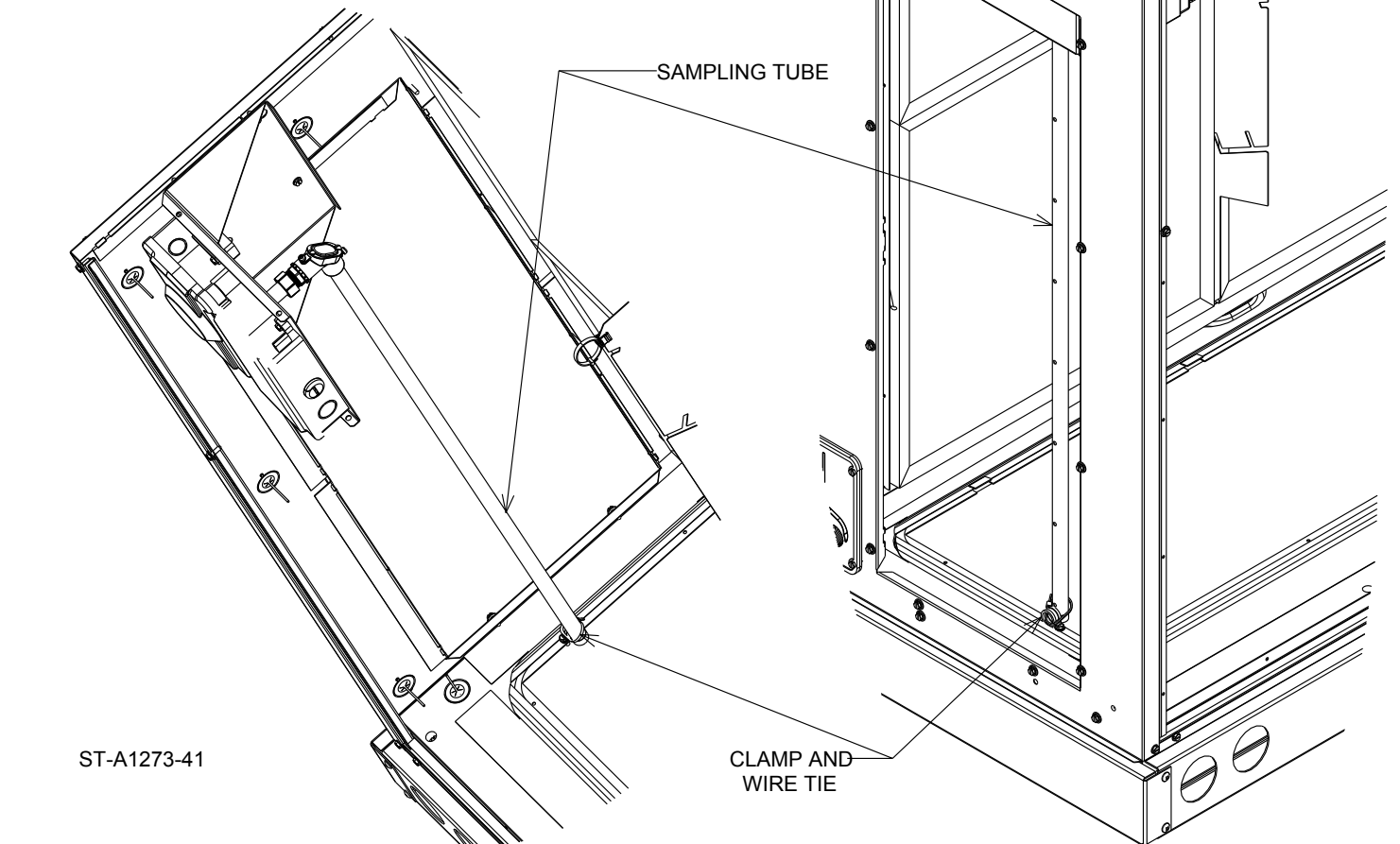


CONVERSION OF SMOKE DETECTOR FROM DOWN-FLOW TO SIDE-FLOW APPLICATION



FOR SIDE-FLOW APPLICATION:

1. REMOVE FLEX CONNECTORS, FLEX CONDUIT, METAL CONDUIT, ELBOW, FROM UPPER ELBOW AND DISCARD.
2. REMOVE SAMPLING TUBE AND CLAMPS FROM BOTTOM OF UNIT.
3. REMOVE CAP PLUG FROM SAMPLING TUBE AND RETAIN.
4. CUT (5) INCHES OFF THE HOLED END OF TUBE AND REPLACE THE CAP PLUG ON CUT END.
5. ATTACH THE SAMPLING TUBE TO THE UPPER ELBOW WITH THE RED CAP AT THE BOTTOM AND THE HOLES FACING SQUARE TO THE OUTSIDE OF THE UNIT. THE INCOMING AIR FLOW MUST ENTER INTO THE SAMPLING TUBE IN ORDER FOR AIR TO BE FORCED THROUGH THE SMOKE DETECTOR. MAKE SURE THE LONGER HOLE-LESS END OF THE TUBE IS AT THE TOP.
6. RE-ATTACH ONE OF THE TUBING CLAMPS TO THE BASEPAN AS SHOWN.
7. USE THE INCLUDED WIRE TIE TO SECURE THE SAMPLING TUBE TO THE CLAMP.



ST-A1273-41