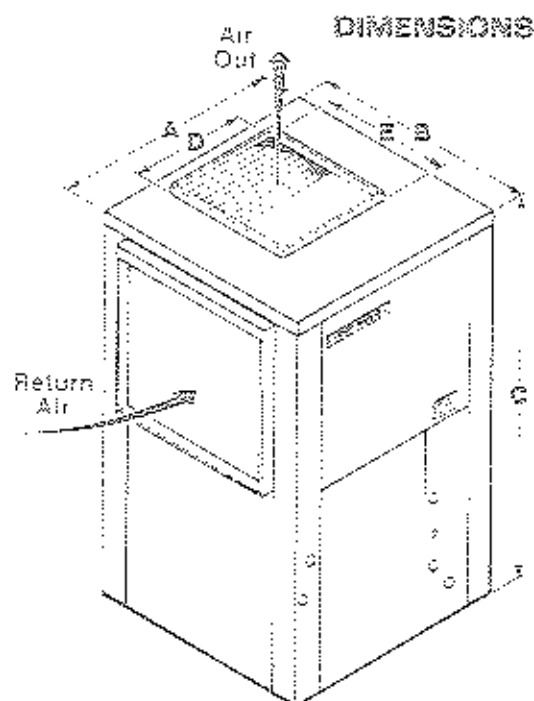


# Friedrich Geo-Thermal™ Heat Pump

performance  
(Low temperature models)



MODEL	ENT. WATER TEMP.	GAL. PER MIN.	HEATING			COOLING		
			CAPACITY	WATTS	COP	CAPACITY	WATTS	EFER
805 024 G	45°	1	25,000	2660	3.2	25,000	1,150	18.4
		2	21,000	2300	3.2	23,000	1,000	17.7
		3	20,000	2100	3.2	20,000	900	16.7
	50°	1	24,000	2120	3.1	21,000	850	15.2
		2	24,000	2100	3.1	23,000	1,000	15.1
		3	20,000	2100	3.1	23,000	1,000	14.7
	55°	1	24,000	2100	3.1	23,000	1,000	14.7
		2	24,000	2100	3.1	23,000	1,000	14.7
		3	24,000	2100	3.1	23,000	1,000	14.7
	60°	1	24,000	2100	3.1	23,000	1,000	14.7
		2	24,000	2100	3.1	23,000	1,000	14.7
		3	24,000	2100	3.1	23,000	1,000	14.7
805 030 G	45°	1	31,000	2600	3.2	31,000	1,200	14.0
		2	27,000	2400	3.2	27,000	1,000	13.7
		3	26,000	2300	3.2	26,000	1,000	12.9
	50°	1	29,000	2400	3.1	29,000	1,000	13.0
		2	26,000	2300	3.1	29,000	1,000	14.3
		3	26,000	2300	3.1	29,000	1,000	13.5
	55°	1	29,000	2300	3.1	31,000	1,200	12.6
		2	26,000	2300	3.1	30,000	1,100	12.6
		3	26,000	2300	3.1	30,000	1,100	12.7
	60°	1	26,000	2300	3.1	30,000	1,100	12.7
		2	26,000	2300	3.1	30,000	1,100	12.7
		3	26,000	2300	3.1	30,000	1,100	12.7
805 036 G	45°	1	36,000	2800	3.3	36,000	1,300	13.7
		2	32,000	2600	3.3	32,000	1,100	13.2
		3	31,000	2500	3.3	31,000	1,100	12.7
	50°	1	34,000	2600	3.2	34,000	1,200	12.7
		2	31,000	2500	3.2	34,000	1,200	14.3
		3	31,000	2500	3.2	34,000	1,200	13.6
	55°	1	34,000	2500	3.2	36,000	1,400	12.6
		2	31,000	2500	3.2	35,000	1,300	12.7
		3	31,000	2500	3.2	35,000	1,300	12.7
	60°	1	31,000	2500	3.2	35,000	1,300	12.7
		2	31,000	2500	3.2	35,000	1,300	12.7
		3	31,000	2500	3.2	35,000	1,300	12.7
805 042 G	45°	1	37,000	3000	3.3	37,000	1,400	13.2
		2	33,000	2800	3.3	33,000	1,200	12.8
		3	32,000	2700	3.3	32,000	1,200	12.4
	50°	1	40,000	2800	3.2	40,000	1,300	12.7
		2	37,000	2700	3.2	41,000	1,400	14.2
		3	37,000	2700	3.2	41,000	1,400	13.5
	55°	1	42,000	2700	3.2	45,000	1,500	12.5
		2	40,000	2700	3.2	44,000	1,400	12.7
		3	40,000	2700	3.2	44,000	1,400	12.7
	60°	1	40,000	2700	3.2	44,000	1,400	12.7
		2	40,000	2700	3.2	44,000	1,400	12.7
		3	40,000	2700	3.2	44,000	1,400	12.7
805 060 G	45°	1	51,000	3000	3.6	51,000	1,600	13.2
		2	47,000	2800	3.6	47,000	1,400	12.8
		3	46,000	2700	3.6	46,000	1,400	12.4
	50°	1	54,000	2800	3.5	54,000	1,500	12.7
		2	51,000	2700	3.5	55,000	1,600	14.2
		3	51,000	2700	3.5	55,000	1,600	13.5
	55°	1	55,000	2700	3.4	57,000	1,700	12.7
		2	52,000	2700	3.4	56,000	1,600	12.7
		3	52,000	2700	3.4	56,000	1,600	12.7
	60°	1	52,000	2700	3.4	56,000	1,600	12.7
		2	52,000	2700	3.4	56,000	1,600	12.7
		3	52,000	2700	3.4	56,000	1,600	12.7



805 Models

805/805 Series - Vertical Geo-Thermal Models

Model	A	B	C	D	E	Return
805-015	21-1/8	21-1/8	24-3/8	7-5/8	12-1/8	20-3/4x20-1/4
805-018	21-1/8	21-1/8	24-3/8	9-1/8	12-1/8	20-3/4x20-1/4
805-024	21	21	24-3/8	11-1/8	12-1/8	20-3/4x20-1/4
805-030	22	22	24-3/8	13-1/8	12-1/8	20-3/4x20-1/4
805-036	23-1/4	23-1/4	24	12-3/8	11-3/8	24-3/4x24-1/4
805-042	25-1/4	25-1/4	24	14-1/8	12-1/8	24-3/4x24-1/4
805-048	25	25	24	14-3/4	11-3/8	24-3/4x24-1/4
805-054	24	24	24	14-3/4	11-3/8	24-3/4x24-1/4

Consult engineering handbook for specific return configurations and details for installation information.

Consulting engineering research results in field measurements indicate these specifications are subject to change without notice.

## Friedrich

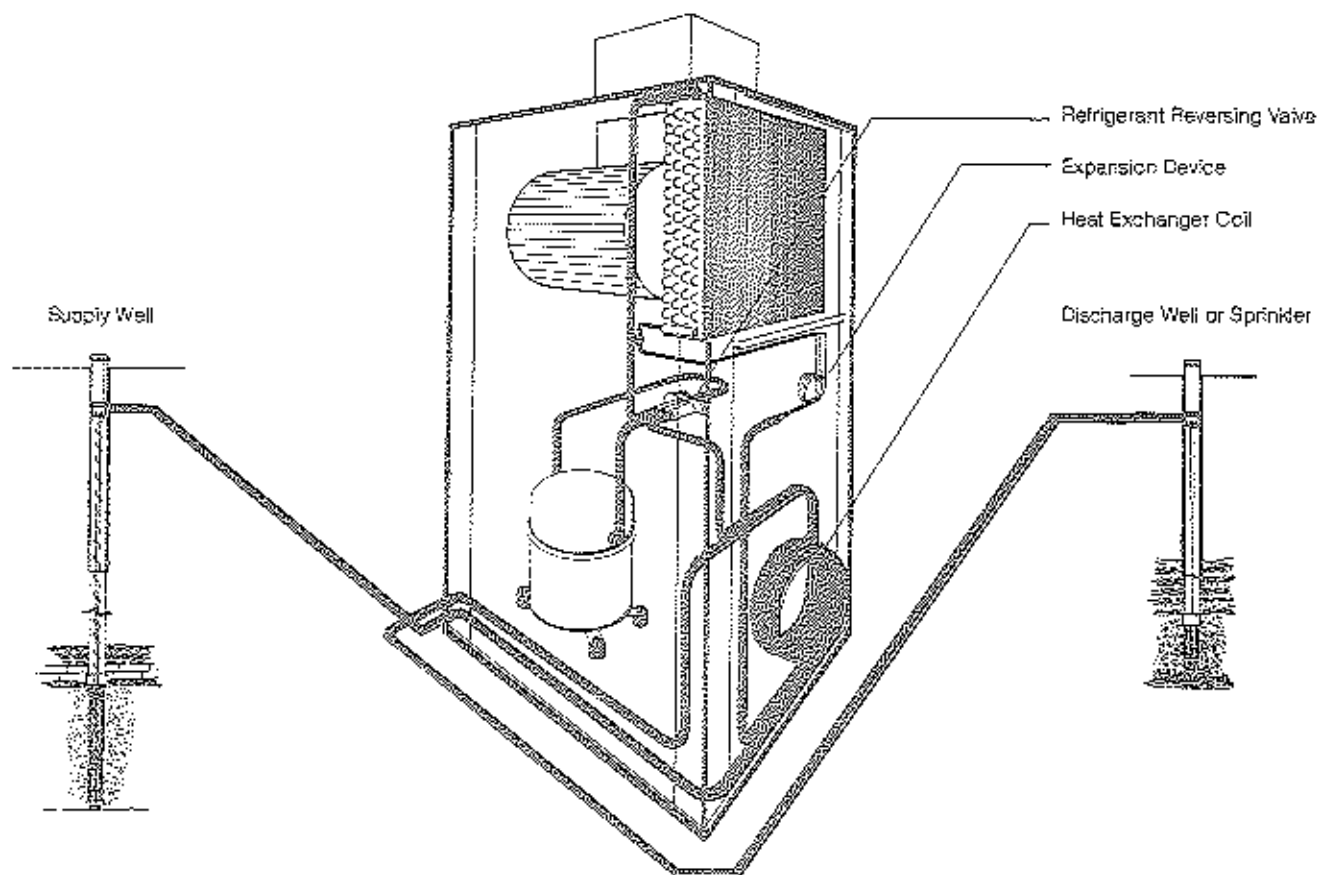
Climate Master® Division  
Friedrich Air Conditioning & Refrigeration Co.  
2007 Boringgrove Place  
Brooklyn, New York 11201



RATING CONDITIONS: Capacities (BTU/hr) of each unit are shown for various entering water temperatures. (12,000 BTU/hr = 1 ton) ratings at 70° return air heating, 50-57° return air cooling.

# The Friedrich Geo-Thermal™ Heat Pump

Efficient where it counts: Proven lower operating costs.



## The Proven Energy Saver

A Friedrich geo-thermal heat pump is a unique air conditioning/heating unit. A home climate control system which adds or removes heat as needed to maintain a desired comfort level.

## The Geo-Thermal Concept

The sun is the optimum heat source. Gaining its heat economically is the crucial engineering task. Since the ground is a permanent absorber of the sun's energy, it provides a ready medium for widespread use without huge costs or complicated mechanical installations. The Friedrich system taps this source, by extracting water from the ground and using it as a heat transfer medium in its refrigerant heat pump units. Geo-thermal heating & cooling is the most efficient method available for the future, and it is here today!

## Ground Water. The Energy Saving Advantage.

Within a few degrees, ground water maintains a relatively stable year round temperature. Air temperatures, on the other hand, may vary from well below zero to 95° or more. The ground water temperature stability gives optimum year round heat transfer. Cooling costs are lower than with air-cooled units and in the heating mode, savings can be tremendous! Some homeowners have cut heating bills by 2/3 over standard systems. With a Friedrich geo-thermal heat pump, a homeowner can save on both heating and cooling. A "double" energy saving advantage.

## Economical. Easy to Install

Cost of the basic heat pump unit is equivalent to most standard air conditioning/heating systems plus the cost of a water source. This allows nearly every homeowner the opportunity to save energy costs with Friedrich geo-thermal systems without exorbitant costs for collectors, storage tanks, etc.

## Less Maintenance — Longer Life

Because these Friedrich units are closed systems or "package" units, the refrigerant system requires less maintenance than the traditional "split" air conditioning system. Being installed indoors, they also are not subject to adverse weather conditions. Long life is a super feature especially important to the quality-conscious homeowner.

## Hot Water Benefit

An "extra" benefit of the water-to-air heat pump can be realized by installing a unit with a built-in Hot Water Generator. This unit, in addition to heating and cooling, will also provide hot water as an added bonus. And it will do this in both summer and winter operation.

**Friedrich**

**Air Superiority.**

**For those who would rather buy performance than energy.**