

T8501A,B,C,D Microelectronic Thermostats

INSTALLATION INSTRUCTIONS

APPLICATION

The T8501 Microelectronic Thermostat provides electronic control of 24 Vac single-stage heating and cooling systems. Refer to Table 1 for a general description of the thermostat. All T8501 Thermostats require a common wire to supply power.

Table 1. Description of T8501 Thermostats.

T8501	System	Changeover	System Selection	Fan Selection	Comments
A	Heat only	None	None	None	—
B	Heat only	None	Heat-Off	On-Auto	Select models have only a system switch or fan switch and some models have both.
C	Heat-Cool	Manual	Heat-Off-Cool	On-Auto	System and fan selections are done by switches.
D	Heat-Cool	Automatic	Heat-Off-Cool-Auto	On-Auto	System and fan selections are done by keyboard.



RECYCLING NOTICE

If this control is replacing a control that contains mercury in a sealed tube, do *not* place your old control in the trash.

Contact your local waste management authority for instructions regarding recycling and the proper disposal of the old thermostat.



CAUTION

Disconnect power supply to prevent electrical shock or equipment damage.

Location

Install the thermostat about 5 ft (1.5m) above the floor in an area with good air circulation at average temperature. See Fig. 1.

Do not install the thermostat where it can be affected by:

- drafts, or dead spots behind doors and in corners.
- hot or cold air from ducts.
- radiant heat from sun or appliances.
- concealed pipes and chimneys.
- unheated (uncooled) areas such as an outside wall behind the thermostat.

Wallplate Installation

The thermostat can be mounted horizontally on the wall or on a 2 in. x 4 in. wiring box. Position wallplate horizontally on the wall or on a 2 in. x 4 in. wiring box.

- 1 Position and level the wallplate (for appearance only). The thermostat will function properly even when not level.

INSTALLATION

When Installing this Product...

1. Read these instructions carefully. Failure to follow the instructions can damage the product or cause a hazardous condition.
2. Check the ratings given in the instructions and on the product to make sure the product is suitable for your application.
3. Installer must be a trained, experienced service technician.
4. After completing installation, use these instructions to check out the product operation.



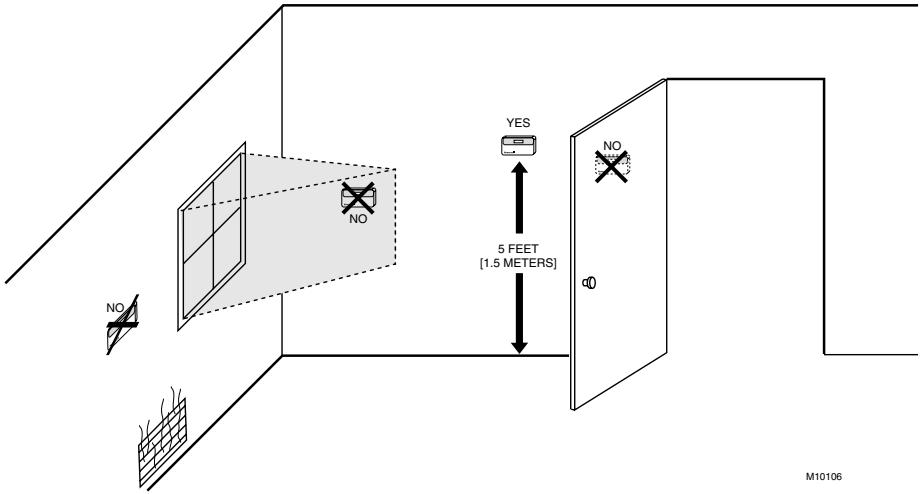


Fig. 1. Typical location of thermostat.

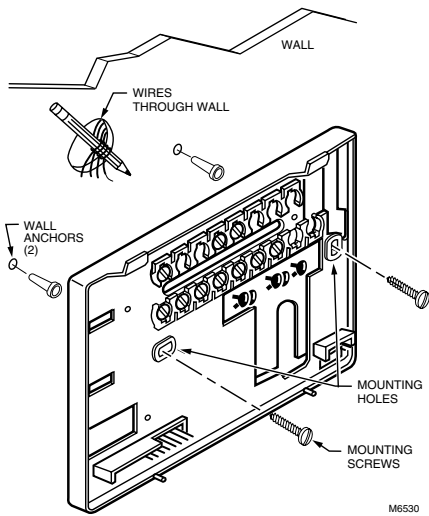


Fig. 2. Mounting the wallplate.

- 2 Use a pencil to mark the mounting holes. See Fig. 2.
- 3 Remove the wallplate from the wall and drill two 3/16 inch holes in the wall (if drywall) as marked. For firmer material such as plaster or wood, drill two 7/32 inch holes. Gently tap anchors (provided) into the drilled holes until flush with the wall.

- 4 Position the wallplate over the holes, pulling wires through the wiring opening.
- 5 Loosely insert the mounting screws into the holes.
- 6 Tighten mounting screws.

WIRING

All wiring must comply with local electrical codes and ordinances. Refer to Fig. 3 through 5 for typical hookups. A letter code is located near each terminal for identification.

CAUTION

Disconnect power before wiring to prevent electrical shock or equipment damage.

- 1 Loosen the terminal screws on the wallplate and connect the system wires. See Fig. 6.

IMPORTANT

Use 18 gauge, color-coded thermostat cable for proper wiring.

- 2 Securely tighten each terminal screw.
- 3 Push excess wire back into the hole.
- 4 Plug the hole with nonflammable insulation to prevent drafts from affecting the thermostat.

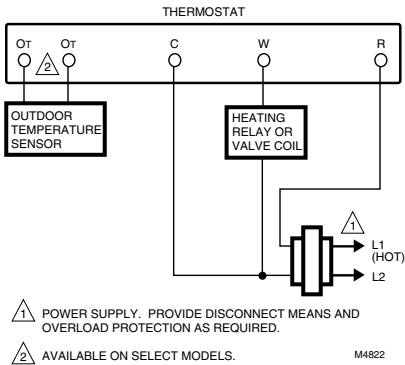


Fig. 3. Typical hookup in heat only application.

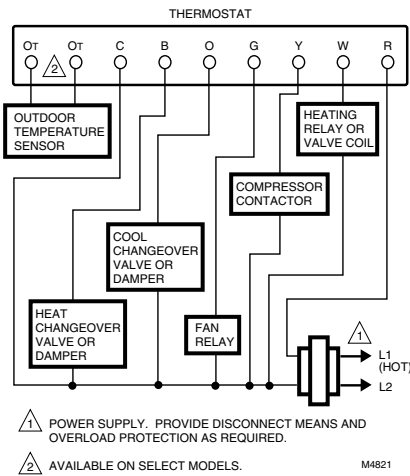


Fig. 4. Typical hookup in heat and cool system with one transformer.

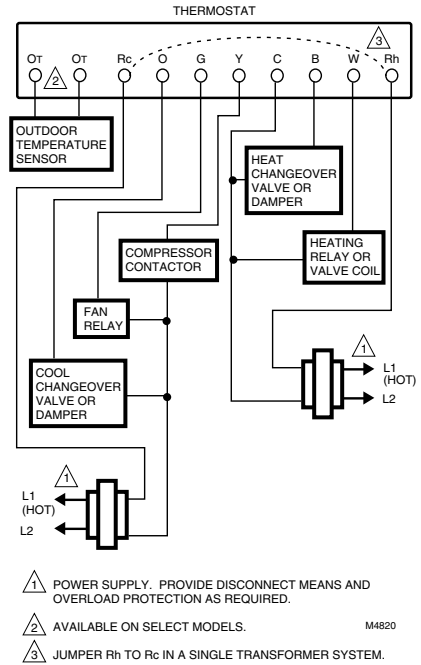


Fig. 5. Typical hookup in heat and cool system with two transformers.

Mounting Thermostat

- 1 Engage tabs at the top of the thermostat and wallplate. See Fig. 7.
- 2 Press lower edge of case to close and latch.

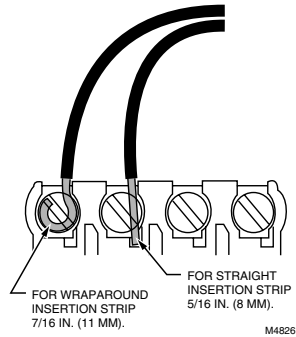
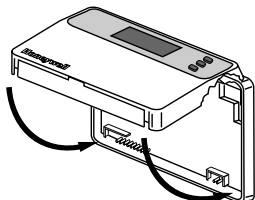
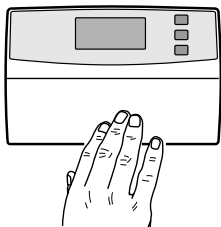


Fig. 6. Proper wiring technique.

A. ENGAGE TABS AT TOP OF THERMOSTAT AND WALLPLATE.



B. PRESS LOWER EDGE OF CASE TO LATCH.



M6798A

Fig. 7. Mounting thermostat on wallplate.

NOTE: To remove the thermostat from the wall, first pull out at the bottom of the thermostat; remove top last.

Using Thermostat Keys

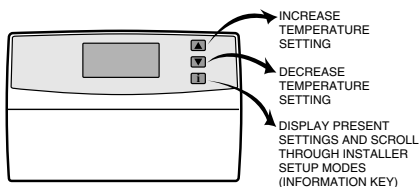
The thermostat keys are used to:

- set temperature,
- display present setting,
- configure Installer Setup,
- check Self-Test,
- display outdoor temperature (select models).

Select models have keys to:

- set the system operation,
- set the fan operation.

See Fig. 8 for key information.



M6801

Fig. 8. Thermostat key locations and descriptions.

SETTINGS

System and Fan Settings

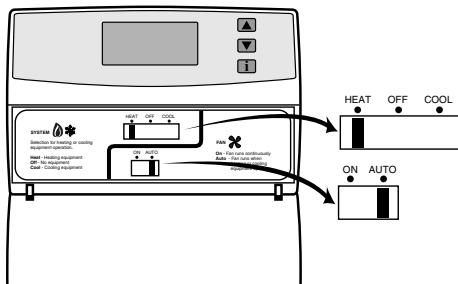
System settings control the thermostat operation as follows:

- Heat: The thermostat controls the heating.
- Off: Both the heating and cooling are off.
- Cool: The thermostat controls the cooling.
- Auto: The thermostat automatically changes between heating and cooling operation, depending on the indoor temperature.

Fan settings control the system fan as follows:

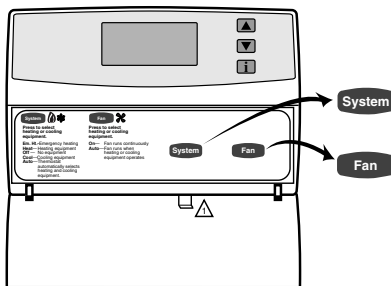
- On: Fan operates continuously.
- Auto: Equipment controls fan.

The system default setting is Heat and the fan default setting is Auto. Use the keyboard or system and fan switches, depending on model, to change to the desired settings. See Figs. 9 and 10.



M10146

Fig. 9. T8501C system and fan switches location.



▲ CHECK LIGHT ON SELECT MODELS

M10147

Fig. 10. T8501D system and fan keys location.

NOTE: Always press the system and fan keys with your fingertip or similar blunt tool. Sharp instruments like a pen or pencil point can damage the keyboard.

Temperature Settings

The default setpoint for heat is 70°F (21°C) and for cool is 78°F (25.5°C). Press the increase ▲ or decrease ▼ key to change the present setting. To change between heat and cool, press the Information [i] key until the setting to be changed appears.

INSTALLER SETUP

NOTE: For most applications, the thermostat factory settings do not need to be changed. Review the factory settings in Table 2 and if no changes are necessary, go to the Installer Self-Test section.

The Installer Setup is used to customize the thermostat to specific systems. Some of the options include temperature display, changeover, minimum equipment on time and minimum off time. Installer modes are listed in numerical order in Table 2. The table includes all the configuration options and the factory-settings available for the T8501.

IMPORTANT

The Installer Setup must be set correctly for the HVAC equipment, thermostat and subbase to operate properly.

A combination of key presses are required to use the Installer Setup feature.

- To enter the Installer Setup mode, press and hold the Information **[i]** key with the increase **▲** and decrease **▼** keys until the first mode number is displayed. All display segments appear for approximately three seconds before the mode number is displayed. See Figs. 11 and 12.
- To advance to the next Installer Setup mode, press the Information **[i]** key.
- To change a setting, use the increase **▲** or decrease **▼** key.
- To exit the Installer Setup mode, press and hold the Information **[i]** key until the display returns to normal (approximately three seconds). The display scrolls the Mode Numbers backwards to get to the normal display. The Installer Setup mode is automatically exited if no key presses are made for five minutes.

NOTE: Only configurable Mode Numbers are shown.

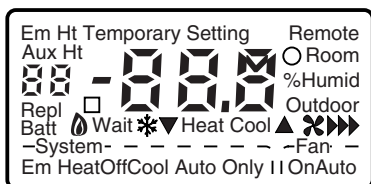


Fig. 11. Display of all the segments of the LCD.

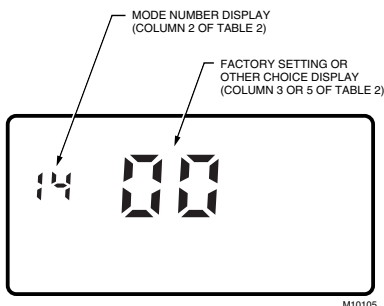


Fig. 12. Display of Installer Setup mode and setting.



CAUTION

Heat pump and electric heat systems must be configured to 01 in Installer Setup mode 02 to prevent equipment damage caused by the system running without the fan.

Table 2. Thermostat Installer Setup Options.

Select	Mode Number (Press [i] key to change)	Factory-Setting		Other Choices (Press ▲ or ▼ key to change)	
		Display	Description	Display	Description
Not used	01	—	—	—	—
Fan operation ^a	02	00	Conventional applications where equipment controls fan operation in heat mode	01	Heat pump and electric heat applications where thermostat controls fan operation in heat mode
Not used	03	—	—	—	—
Heating cycle rate	04	06	6 cph used for conventional systems	01, 03, or 09	01—1 cph used for radiant floor heat, gravity systems 03—3 cph used for hot water systems or high efficiency furnaces 09—9 cph used for electric heat systems
Not used	05 thru 11	—	—	—	—
Changeover (T8501D only)	12	01	Automatic changeover	00	Manual changeover

^a Available on select models.

(Continued)

Table 2. Thermostat Installer Setup Options (continued).

Select	Mode Display (Press i key to change)	Factory-Setting		Other Choices (Press ▲ or ▼ key to change)	
		Display	Description	Display	Description
Not used	13	—	—	—	—
Degree temperature display	14	00	Temperature is displayed in °F	01	Temperature is displayed in °C
Not used	15 thru 18	—	—	—	—
Extended fan operation in heating ^{a,b}	19	00	No extended fan operation after the call for heat ends	01	Fan operation is extended 90 seconds after the call for heat ends
Extended fan operation in cooling ^a	20	00	No extended fan operation after the call for cool ends	01	Fan operation is extended 90 seconds after the call for cool ends
Not used	21 thru 23	—	—	—	—
Outdoor temperature display ^a	24	00	No outdoor temperature is displayed	01	Outdoor temperature is displayed. Needs a C7089B1000 Outdoor Sensor to operate.
Not used	25 thru 32	—	—	—	—
Minimum off time for the compressor	33	05	5 minute minimum off time for the compressor	00, 01, 02, 03 or 04	Minimum number of minutes (0 thru 5) the compressor will be off between calls for the compressor
Heating setpoint range stop ^a	34	90	Heating setpoint can be set no higher than 90°F	40 thru 90	Number can be set anywhere between 40 and 90 in 1°F increments
Cooling setpoint range stop ^a	35	45 ^c	Cooling setpoint can be set no lower than 45°F ^c	45 ^c thru 99	Number can be set anywhere between 45 ^c and 99 in 1°F increments
System On display ^a	36	00	LCD On symbol is displayed when system is energized	01	Display is disabled, usually set for 01 for a zoned system
Temperature display adjustment	37	00	No difference in displayed temperature and actual room temperature	01 thru 06	01—Display adjusts to 1°F higher than actual room temperature 02—Display adjusts to 2°F higher than actual room temperature 03—Display adjusts to 3°F higher than actual room temperature 04—Display adjusts to 1°F lower than actual room temperature 05—Display adjusts to 2°F lower than actual room temperature 06—Display adjusts to 3°F lower than actual room temperature

^a Available on select models.

^b Mode 02 must be set to 01 to extend fan operation.

^c T8501D is 48°F.

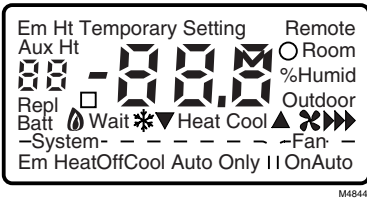
INSTALLER SELF-TEST

Use the Installer Self-Test to check the thermostat configurations and operation. Refer to Table 3 for a list of the available self-tests.

To start the self-test:

NOTE: The minimum off time for compressors is bypassed during the Installer Self-Test.

Press and hold the increase ▲ and decrease ▼ keys, at the same time, until two zeros appear. All segments of the LCD are displayed before the two zeros appear.



M4844



M6792

TEST MODE NUMBER

Table 3. Tests Available In The Installer Self-Test Mode.

Test Number	Self-Test Description
10-19	Heating equipment can be turned on and off
30-39	Cooling equipment can be turned on and off
40-49	Fan equipment (T8501D only) can be turned on and off.
60-69	System key or system switch position test (not available on T8501A)
70-79	Thermostat information including date code and software versions are displayed

Refer to Table 4 for the directions and results of the specific tests.

IMPORTANT

Models with system and fan switches must set the switches to the equipment that is being checked for the equipment to operate.

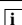
NOTE: Press and hold the increase ▲ and decrease ▼ keys for three seconds to exit the self-test mode. The self-test times out after five minutes without any key presses.

Table 4. Installer Self-Test Options.

Key to Press	Test Mode Number	Description
Heating Equipment Self-Test		
i	10	Enter heating equipment self-test. (Set system switch to HEAT on switch models.)
▲	11	Heat comes on. When Installer Setup mode number 02 is 01, the system fan is also energized.
▼	10	Heat and system fan turn off.
Cooling Equipment Self-Test		
i	30	Change from heating to cooling equipment self-test. (Set system switch to COOL on switch models.)
▲	31	Cool and system fan come on.
▼	30	Cool and system fan turn off.
Fan Equipment Self-Test (T8501D only)		
i	40	Change from cooling to fan equipment self-test.
▲	41	Fan comes on.
▼	40	Fan turns off.


(Continued)

Table 4. Installer Self-Test Options. (Continued)

Key to Press	Test Mode Number	Description
Key or Switch Operation Self-Test^a		
IMPORTANT		
<i>Test Mode Numbers will only be displayed when the system is configured for the selected function. EXAMPLE: Numbers 60, 61 and 62 are the only numbers that will be displayed when a system is configured for heat only.</i>		
SYSTEM KEY OR SWITCH SELF-TEST (When system switch is used, move switch to see Test Mode Numbers.)		
	60	Change from cooling or fan to key operation self-test.
System	61	Heat Test Mode Number is displayed. (Set system switch to HEAT.)
System	62	Off Test Mode Number is displayed. (Set system switch to OFF.)
System	63	Cool Test Mode Number is displayed. (Set system switch to COOL.)
System	64	Auto Test Mode Number is displayed.
FAN KEY SELF-TEST (Fan switch cannot be tested)		
Fan	68	Fan on Test Mode Number is displayed.
Fan	69	Fan off Test Mode Number is displayed.


^a Available on select models.

Thermostat Information

- 1 Press the Information  key to access the thermostat information.




M4864

- 3 Press the increase  key again to display the software identification code. (Example: 02 = software ID code 2)




M4866

- 2 Press the increase  key to display the production date code. The first two large digits are the month and the third digit is the last digit of the year. (Example: 026 = February 1996)



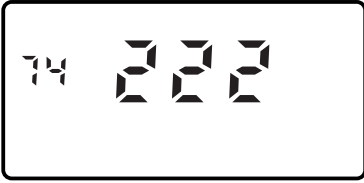
M4865

- 4 Press the increase  key again to display the software revision number. (Example: 001 = revision number 1)



M6791

- 5 Press the increase ▲ key again to display the EEPROM identification code.
(Example: 222 = EEPROM ID 222)



M4867

- 6 Press and hold the increase ▲ and decrease ▼ keys together, until the room temperature is displayed, to exit the self-test mode. The self-test times out after five minutes without any key presses.

CHECKOUT

Outdoor Temperature Sensor (Where Applicable)

Allow the outdoor temperature sensor to soak in the outdoor air for a minimum of five minutes before taking a reading. With an accurate thermometer ($\pm 1^\circ\text{F}$ [$\pm 0.5^\circ\text{C}$]), measure the temperature at the sensor location, allowing time for the thermometer to stabilize before reading. Match the thermometer reading to the outdoor temperature display at the thermostat.

TROUBLESHOOTING GUIDE

Symptom	Possible Cause	Action
Display will not come on.	Thermostat is not being powered.	<ul style="list-style-type: none"> Check that C terminal is connected to the system transformer. Check for 24 Vac between C and R or RH terminals. <ul style="list-style-type: none"> If missing 24 Vac: <ul style="list-style-type: none"> check if the circuit breaker is tripped—reset the circuit breaker. check if the system fuse is blown—replace the fuse. check if the power switch on the HVAC equipment is in the Off position—set to the On position. check wiring between thermostat and HVAC equipment—replace any broken wires and tighten any loose connections. If 24 Vac is present, proceed with troubleshooting.
	Thermostat microprocessor is locked up.	Remove the thermostat from the wallplate for 2 minutes. After 2 minutes, replace the thermostat on the wallplate.
Temperature display is incorrect.	Room temperature display has been reconfigured.	Enter Installer Setup mode number 37 and reconfigure the display.
	Thermostat is configured for °F or °C display. ^a	Enter Installer Setup mode number 14 and reconfigure the display.
	Bad thermostat location.	Relocate the thermostat.
Temperature settings will not change. (Example: Cannot set the heating higher or the cooling lower.)	The upper or lower temperature limits were reached.	Check the temperature setpoints: <ul style="list-style-type: none"> Heating limits are 40 to 90°F (7 to 31°C) Cooling limits are 45 to 99°F (9 to 37°C) except T8501D cooling limits are 48 to 99°F
	The setpoint temperature range stops were configured.	Check Installer Setup mode numbers 34 and 35 and reconfigure the setpoint stops.
Heating will not come on.	No power to the thermostat.	<ul style="list-style-type: none"> Check that C terminal is connected to the system transformer. Check for 24 Vac between C and R or RH terminals. <ul style="list-style-type: none"> If missing 24 Vac: <ul style="list-style-type: none"> check if the circuit breaker is tripped—reset the circuit breaker. check if the system fuse is blown—replace the fuse. check if the system switch at the equipment is in the Off position—set to On position. check wiring between thermostat and HVAC equipment—replace any broken wires and tighten any loose connections. If 24 Vac is present, proceed with troubleshooting.

^a Available on select models.

(Continued)

TROUBLESHOOTING GUIDE (Continued)

Symptom	Possible Cause	Action
Heating will not come on. (Continued)	Thermostat minimum off time is activated.	Wait up to five minutes for the system to respond.
	System selection is not set to Heat.	Set system selection to Heat.
Cooling will not come on.	No power to the thermostat.	<ul style="list-style-type: none"> • Check that C terminal is connected to the system transformer. • Check for 24 Vac between C and R or RC and Y terminals. <ul style="list-style-type: none"> — If missing 24 Vac: <ul style="list-style-type: none"> — check if the circuit breaker is tripped—reset the circuit breaker. — check if the system fuse is blown—replace the fuse. — check if the system switch at the equipment is in the Off position—set to the On position. — check wiring between thermostat and HVAC equipment—replace any broken wires and tighten any loose connections. — If 24 Vac is present, proceed with troubleshooting.
	Thermostat minimum off time is activated.	<ul style="list-style-type: none"> • Wait up to five minutes for the system to respond. • Enter Installer Setup mode number 33. Reconfigure minimum off time (if required).
	System selection is not set to Cool.	Set system selection to Cool.
System On indicator is lit, but no heat is being delivered.	Fan operation set for 00 (conventional heat) when it should be set for 01 (electric heat).	Enter Installer Setup mode number 02 and reconfigure the fan operation.
	Conventional heating equipment turns on the fan when the furnace has warmed up to a setpoint.	Wait a minute after seeing the On indicator and then check the registers.
	Heating equipment is not operating.	Verify operation of heating equipment in self-test.
Outdoor temperature not displayed ^a	Option not activated.	Enter Installer Setup mode number 24 and set to 01. Thermostat must have OT terminals and a C7089B1000 installed.
Outdoor temperature display is incorrect ^a	Outdoor sensor is connected incorrectly.	Refer to C7089B1000 installation instructions and check wiring between the thermostat and sensor.
	Wrong sensor.	Replace sensor with C7089B1000 sensor.

^a Available on select models.

Honeywell

Home and Building Control
Honeywell Inc.
Honeywell Plaza
P.O. Box 524
Minneapolis, MN 55408-0524

Home and Building Control
Honeywell Limited-Honeywell Limitée
155 Gordon Baker Road
North York, Ontario
M2H 2C9

